



Chipsmall Limited consists of a professional team with an average of over 10 year of expertise in the distribution of electronic components. Based in Hongkong, we have already established firm and mutual-benefit business relationships with customers from,Europe,America and south Asia,supplying obsolete and hard-to-find components to meet their specific needs.

With the principle of “Quality Parts,Customers Priority,Honest Operation,and Considerate Service”,our business mainly focus on the distribution of electronic components. Line cards we deal with include Microchip,ALPS,ROHM,Xilinx,Pulse,ON,Everlight and Freescale. Main products comprise IC,Modules,Potentiometer,IC Socket,Relay,Connector.Our parts cover such applications as commercial,industrial, and automotives areas.

We are looking forward to setting up business relationship with you and hope to provide you with the best service and solution. Let us make a better world for our industry!



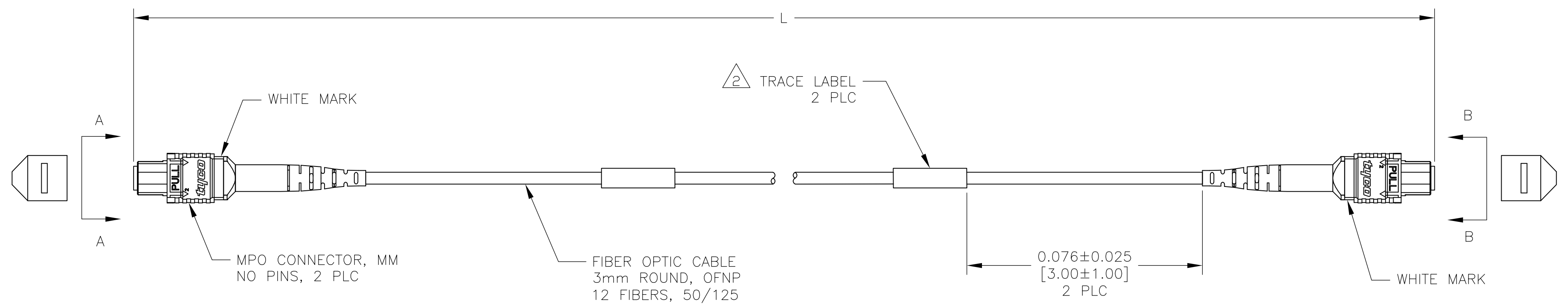
Contact us

Tel: +86-755-8981 8866 Fax: +86-755-8427 6832

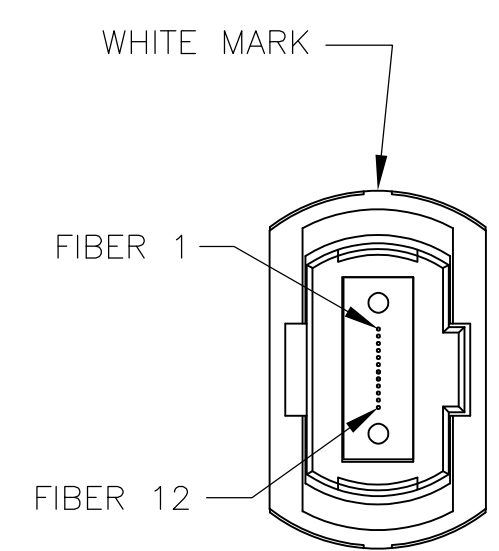
Email & Skype: info@chipsmall.com Web: www.chipsmall.com

Address: A1208, Overseas Decoration Building, #122 Zhenhua RD., Futian, Shenzhen, China





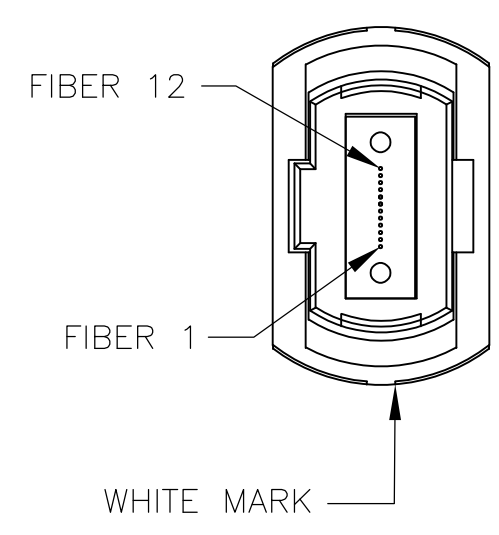
REVERSE FIBER PATH



VIEW A-A
NOT TO SCALE

MPO LEFT FIBER #		MPO RIGHT FIBER #
1	↔	12
2	↔	11
3	↔	10
4	↔	9
5	↔	8
6	↔	7
7	↔	6
8	↔	5
9	↔	4
10	↔	3
11	↔	2
12	↔	1

MPO CONNECTOR FIBER PATH



VIEW B-B
NOT TO SCALE

- NOTES:
- MAXIMUM CONNECTOR INSERTION LOSS (850nm): 0.5dB + 3.5dB/km. SEE TABLE.
 - STANDARD TRACE LABEL TO BE APPLIED AT BOTH ENDS.
 - PRODUCT AND PROCESSING MUST MEET REQUIREMENTS OF TYCO ELECTRONICS STANDARD 230-702.

THIS DRAWING IS A CONTROLLED DOCUMENT.		DWN K.GLATFELTER	14JAN2009	Tyco Electronics Corporation Harrisburg, PA 17105-3608	
DIMENSIONS: METERS [INCHES]		CHK J.BARRY		NAME	
TOLERANCES UNLESS OTHERWISE SPECIFIED:		APVD J.BARRY		CABLE ASSEMBLY, FIBER OPTIC, 50/125um 3mm ROUND CABLE, OFNP, MPO W/NO PINS, REVERSED PATH	
0 PLC ± -		PRODUCT SPEC		SIZE	CAGE CODE
1 PLC ± -		APPLICATION SPEC		A2	00779
2 PLC ± -				DRAWING NO	1938209
3 PLC ± -				RESTRICTED TO	
4 PLC ± -					
ANGLES ± -		WEIGHT		SCALE	NTS
FINISH				SHEET	1 of 2
		CUSTOMER DRAWING		REV	A

THIS DRAWING IS UNPUBLISHED. RELEASED FOR PUBLICATION
 © COPYRIGHT BY TYCO ELECTRONICS CORPORATION. ALL RIGHTS RESERVED.

LOC	DIST	REVISIONS			
P	LTR	DESCRIPTION	DATE	DWN	APVD
CE	16	SEE SHEET 1	-	-	-

MAX IL (dB)	L METERS [INCHES]	PART NUMBER
0.68	50.000±0.500 [1968.5±19.69]	5-1938209-0
0.64	40.000±0.400 [1574.80±15.75]	4-1938209-0
0.64	39.000±0.390 [1535.43±15.35]	3-1938209-9
0.63	38.000±0.380 [1496.06±14.96]	3-1938209-8
0.63	37.000±0.370 [1456.69±14.57]	3-1938209-7
0.63	36.000±0.360 [1417.32±14.17]	3-1938209-6
0.62	35.000±0.350 [1377.95±13.78]	3-1938209-5
0.62	34.000±0.340 [1338.58±13.39]	3-1938209-4
0.62	33.000±0.330 [1299.21±12.99]	3-1938209-3
0.61	32.000±0.320 [1259.84±12.60]	3-1938209-2
0.61	31.000±0.310 [1220.47±12.20]	3-1938209-1
0.61	30.000±0.300 [1181.10±11.81]	3-1938209-0
0.60	29.000±0.290 [1141.73±11.42]	2-1938209-9
0.60	28.000±0.280 [1102.36±11.02]	2-1938209-8
0.59	27.000±0.270 [1062.99±10.63]	2-1938209-7
0.59	26.000±0.260 [1023.62±10.24]	2-1938209-6
0.59	25.000±0.250 [984.25±9.84]	2-1938209-5
0.58	24.000±0.240 [944.88±9.45]	2-1938209-4
0.58	23.000±0.230 [905.51±9.06]	2-1938209-3
0.58	22.000±0.220 [866.14±8.66]	2-1938209-2
0.57	21.000±0.210 [826.77±8.27]	2-1938209-1
0.57	20.000±0.200 [787.40±7.87]	2-1938209-0
0.57	19.000±0.190 [748.03±7.48]	1-1938209-9
0.56	18.000±0.180 [708.66±7.09]	1-1938209-8
0.56	17.000±0.170 [669.29±6.69]	1-1938209-7
0.56	16.000±0.160 [629.92±6.30]	1-1938209-6
0.55	15.000±0.150 [590.55±5.91]	1-1938209-5
0.55	14.000±0.150 [551.18±5.91]	1-1938209-4
0.55	13.000±0.150 [511.81±5.91]	1-1938209-3
0.54	12.000±0.150 [472.44±5.91]	1-1938209-2
0.54	11.000±0.150 [433.07±5.91]	1-1938209-1
0.54	10.000±0.150 [393.70±5.91]	1-1938209-0
0.53	9.000±0.150 [354.33±5.91]	1938209-9
0.53	8.000±0.080 [314.96±3.15]	1938209-8
0.52	7.000±0.080 [275.59±3.15]	1938209-7
0.52	6.000±0.080 [236.22±3.15]	1938209-6
0.52	5.000±0.080 [196.85±3.15]	1938209-5
0.51	4.000±0.080 [157.48±3.15]	1938209-4
0.51	3.000±0.050 [118.11±1.97]	1938209-3
0.51	2.000±0.050 [78.74±1.97]	1938209-2
0.50	1.000±0.050 [39.37±1.97]	1938209-1

MAX IL (dB)	L METERS [INCHES]	PART NUMBER
-------------	-------------------	-------------

THIS DRAWING IS A CONTROLLED DOCUMENT.		DWN K.GLATFELTER 14JAN2009	Tyco Electronics Corporation Harrisburg, PA 17105-3608	
DIMENSIONS: METERS [INCHES]		CHK J.BARRY	NAME CABLE ASSEMBLY, FIBER OPTIC, 50/125um 3mm ROUND CABLE, OFNP, MPO W/NO PINS, REVERSED PATH	
TOLERANCES UNLESS OTHERWISE SPECIFIED:		APVD J.BARRY	SIZE A2	
0 PLC ± - 1 PLC ± - 2 PLC ± - 3 PLC ± - 4 PLC ± - ANGLES ± -		PRODUCT SPEC -	CAGE CODE 00779	DRAWING NO 1938209
MATERIAL -	FINISH -	APPLICATION SPEC -	RESTRICTED TO -	SCALE NTS
CUSTOMER DRAWING			SHEET 2 OF 2	REV A