



Chipsmall Limited consists of a professional team with an average of over 10 year of expertise in the distribution of electronic components. Based in Hongkong, we have already established firm and mutual-benefit business relationships with customers from,Europe,America and south Asia,supplying obsolete and hard-to-find components to meet their specific needs.

With the principle of “Quality Parts,Customers Priority,Honest Operation,and Considerate Service”,our business mainly focus on the distribution of electronic components. Line cards we deal with include Microchip,ALPS,ROHM,Xilinx,Pulse,ON,Everlight and Freescale. Main products comprise IC,Modules,Potentiometer,IC Socket,Relay,Connector.Our parts cover such applications as commercial,industrial, and automotives areas.

We are looking forward to setting up business relationship with you and hope to provide you with the best service and solution. Let us make a better world for our industry!



Contact us

Tel: +86-755-8981 8866 Fax: +86-755-8427 6832

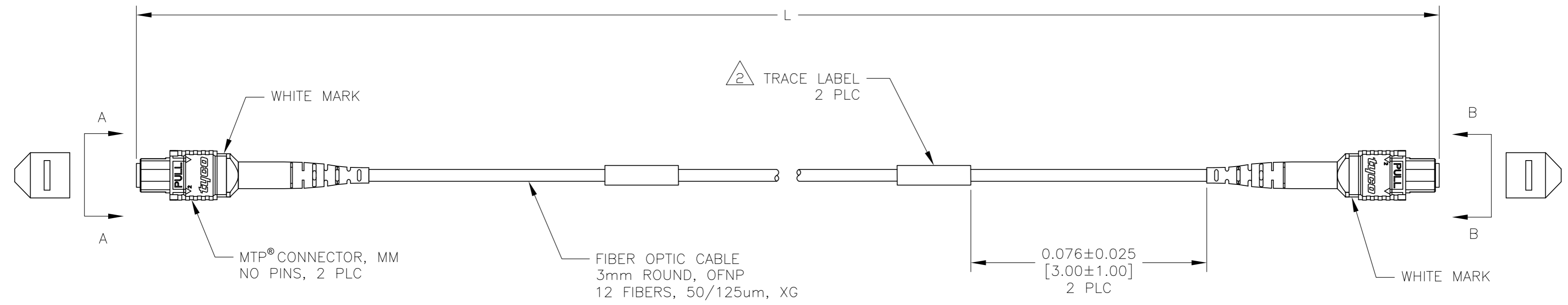
Email & Skype: info@chipsmall.com Web: www.chipsmall.com

Address: A1208, Overseas Decoration Building, #122 Zhenhua RD., Futian, Shenzhen, China

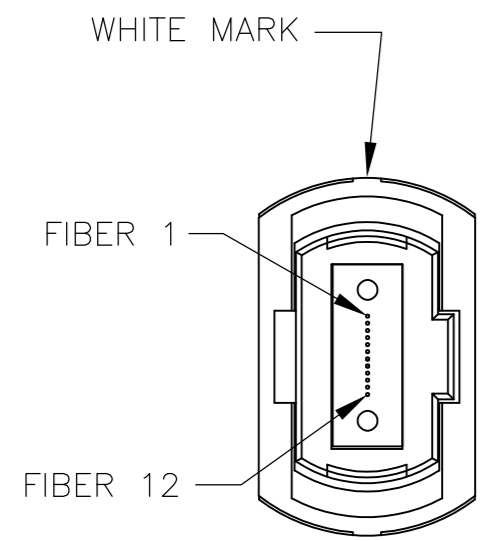


THIS DRAWING IS UNPUBLISHED. RELEASED FOR PUBLICATION
 © COPYRIGHT - By - ALL RIGHTS RESERVED.

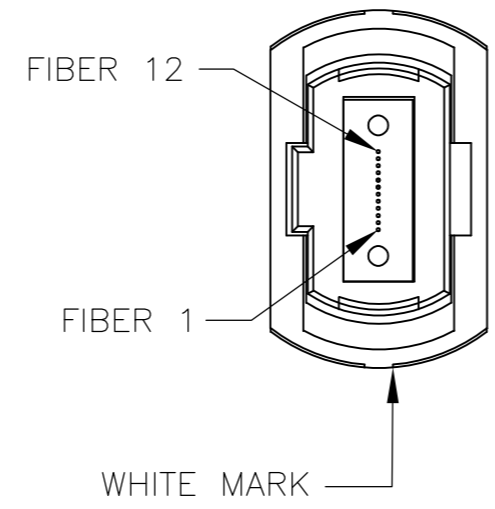
LOC	DIST	REVISIONS			
P	LTR	DESCRIPTION	DATE	DWN	APVD
CE	00	C	ECR-14-008576	24SEP2014	HZ RZ



REVERSE FIBER PATH



MTP® LEFT FIBER #		MTP® RIGHT FIBER #
1	↔	12
2	↔	11
3	↔	10
4	↔	9
5	↔	8
6	↔	7
7	↔	6
8	↔	5
9	↔	4
10	↔	3
11	↔	2
12	↔	1



- NOTES:
- ① MAXIMUM CONNECTOR INSERTION LOSS (850nm): 0.5dB + 3.5dB/km. SEE TABLE.
 - ② STANDARD TRACE LABEL TO BE APPLIED AT BOTH ENDS.
 - 3. PRODUCT AND PROCESSING MUST MEET REQUIREMENTS OF TEC-138-702.

MTP® CONNECTOR FIBER PATH

THIS DRAWING IS A CONTROLLED DOCUMENT.		DWN K.GLATFELTER 15JAN2009	TE Connectivity	
DIMENSIONS: METERS [INCHES]		CHK J.BARRY		
		APVD J.BARRY	CABLE ASSEMBLY, FIBER OPTIC, 50/125um, XG 3mm ROUND CABLE, OFNP, MTP®W/NO PINS, REVERSED PATH	
TOLERANCES UNLESS OTHERWISE SPECIFIED:		PRODUCT SPEC	APPLICATION SPEC	RESTRICTED TO
0 PLC ± - 1 PLC ± - 2 PLC ± - 3 PLC ± - 4 PLC ± - ANGLES ± ± - FINISH -		WEIGHT	SIZE A2	CAGE CODE 00779
MATERIAL		CUSTOMER DRAWING	DRAWING NO C=1938324	SCALE NTS
		SHEET 1 OF 2		REV C

1938324

THIS DRAWING IS UNPUBLISHED. RELEASED FOR PUBLICATION
 © COPYRIGHT - By - ALL RIGHTS RESERVED.

LOC	DIST	REVISIONS			
P	LTR	DESCRIPTION	DATE	DWN	APVD
-	-	SEE SHEET 1	-	-	-

1.55	300.000±3.000	[11811.02±118.11]	9-1938324-8
0.68	50.000±0.500	[1968.5±19.69]	5-1938324-0
0.64	40.000±0.400	[1574.80±15.75]	4-1938324-0
0.64	39.000±0.390	[1535.43±15.35]	3-1938324-9
0.63	38.000±0.380	[1496.06±14.96]	3-1938324-8
0.63	37.000±0.370	[1456.69±14.57]	3-1938324-7
0.63	36.000±0.360	[1417.32±14.17]	3-1938324-6
0.62	35.000±0.350	[1377.95±13.78]	3-1938324-5
0.62	34.000±0.340	[1338.58±13.39]	3-1938324-4
0.62	33.000±0.330	[1299.21±12.99]	3-1938324-3
0.61	32.000±0.320	[1259.84±12.60]	3-1938324-2
0.61	31.000±0.310	[1220.47±12.20]	3-1938324-1
0.61	30.000±0.300	[1181.10±11.81]	3-1938324-0
0.60	29.000±0.290	[1141.73±11.42]	2-1938324-9
0.60	28.000±0.280	[1102.36±11.02]	2-1938324-8
0.59	27.000±0.270	[1062.99±10.63]	2-1938324-7
0.59	26.000±0.260	[1023.62±10.24]	2-1938324-6
0.59	25.000±0.250	[984.25±9.84]	2-1938324-5
0.58	24.000±0.240	[944.88±9.45]	2-1938324-4
0.58	23.000±0.230	[905.51±9.06]	2-1938324-3
0.58	22.000±0.220	[866.14±8.66]	2-1938324-2
0.57	21.000±0.210	[826.77±8.27]	2-1938324-1
0.57	20.000±0.200	[787.40±7.87]	2-1938324-0
0.57	19.000±0.190	[748.03±7.48]	1-1938324-9
0.56	18.000±0.180	[708.66±7.09]	1-1938324-8
0.56	17.000±0.170	[669.29±6.69]	1-1938324-7
0.56	16.000±0.160	[629.92±6.30]	1-1938324-6
0.55	15.000±0.150	[590.55±5.91]	1-1938324-5
0.55	14.000±0.150	[551.18±5.91]	1-1938324-4
0.55	13.000±0.150	[511.81±5.91]	1-1938324-3
0.54	12.000±0.150	[472.44±5.91]	1-1938324-2
0.54	11.000±0.150	[433.07±5.91]	1-1938324-1
0.54	10.000±0.150	[393.70±5.91]	1-1938324-0
0.53	9.000±0.150	[354.33±5.91]	1938324-9
0.53	8.000±0.080	[314.96±3.15]	1938324-8
0.52	7.000±0.080	[275.59±3.15]	1938324-7
0.52	6.000±0.080	[236.22±3.15]	1938324-6
0.52	5.000±0.080	[196.85±3.15]	1938324-5
0.51	4.000±0.080	[157.48±3.15]	1938324-4
0.51	3.000±0.050	[118.11±1.97]	1938324-3
0.51	2.000±0.050	[78.74±1.97]	1938324-2
0.50	1.000±0.050	[39.37±1.97]	1938324-1

MAX IL (dB)	L METERS [INCHES]	PART NUMBER
-------------	-------------------	-------------

THIS DRAWING IS A CONTROLLED DOCUMENT.		DWN K.GLATFELTER 15JAN2009	STE TE Connectivity	
DIMENSIONS: METERS [INCHES]		CHK J.BARRY		
TOLERANCES UNLESS OTHERWISE SPECIFIED:		APVD J.BARRY	NAME CABLE ASSEMBLY, FIBER OPTIC, 50/125um, XG 3mm ROUND CABLE, OFNP, MTP®W/NO PINS, REVERSED PATH	
0 PLC ± - 1 PLC ± - 2 PLC ± - 3 PLC ± - 4 PLC ± - ANGLES ± -		PRODUCT SPEC -	APPLICATION SPEC -	
MATERIAL -	FINISH -	WEIGHT -	SIZE A2	CAGE CODE 00779
CUSTOMER DRAWING			DRAWING NO C=1938324	RESTRICTED TO -
			SCALE NTS	SHEET 2 OF 2
			REV C	