



Chipsmall Limited consists of a professional team with an average of over 10 year of expertise in the distribution of electronic components. Based in Hongkong, we have already established firm and mutual-benefit business relationships with customers from,Europe,America and south Asia,supplying obsolete and hard-to-find components to meet their specific needs.

With the principle of "Quality Parts,Customers Priority,Honest Operation,and Considerate Service",our business mainly focus on the distribution of electronic components. Line cards we deal with include Microchip,ALPS,ROHM,Xilinx,Pulse,ON,Everlight and Freescale. Main products comprise IC,Modules,Potentiometer,IC Socket,Relay,Connector.Our parts cover such applications as commercial,industrial, and automotives areas.

We are looking forward to setting up business relationship with you and hope to provide you with the best service and solution. Let us make a better world for our industry!



## Contact us

Tel: +86-755-8981 8866 Fax: +86-755-8427 6832

Email & Skype: info@chipsmall.com Web: www.chipsmall.com

Address: A1208, Overseas Decoration Building, #122 Zhenhua RD., Futian, Shenzhen, China



4

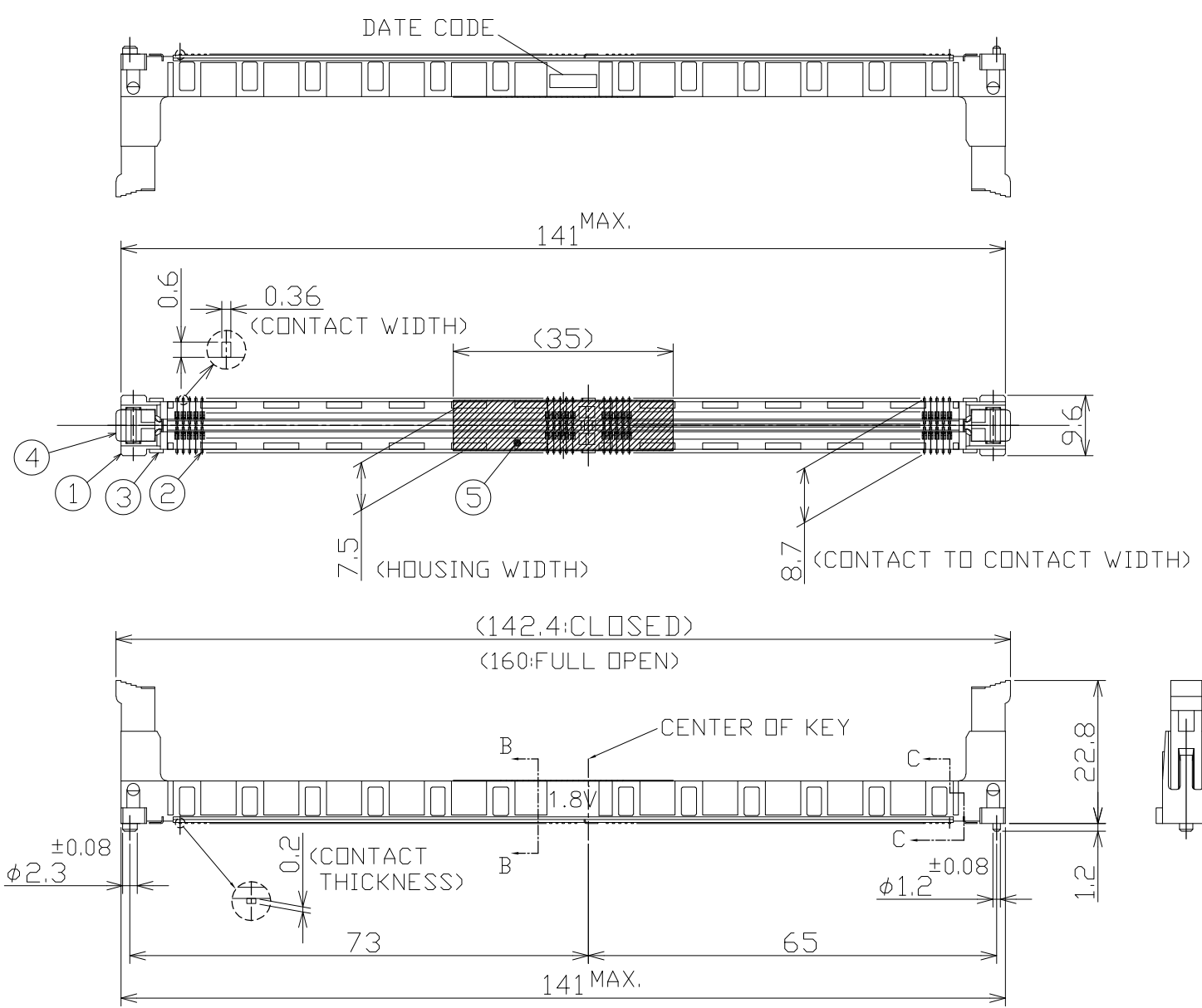
3

2

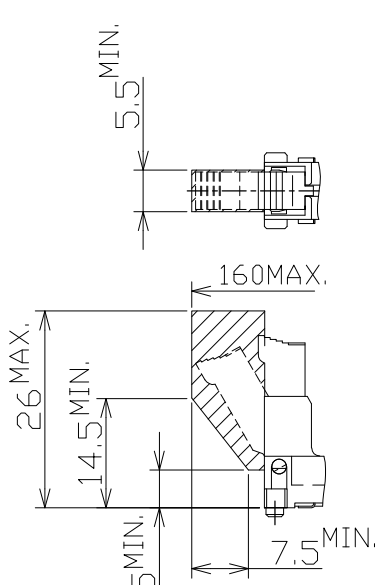
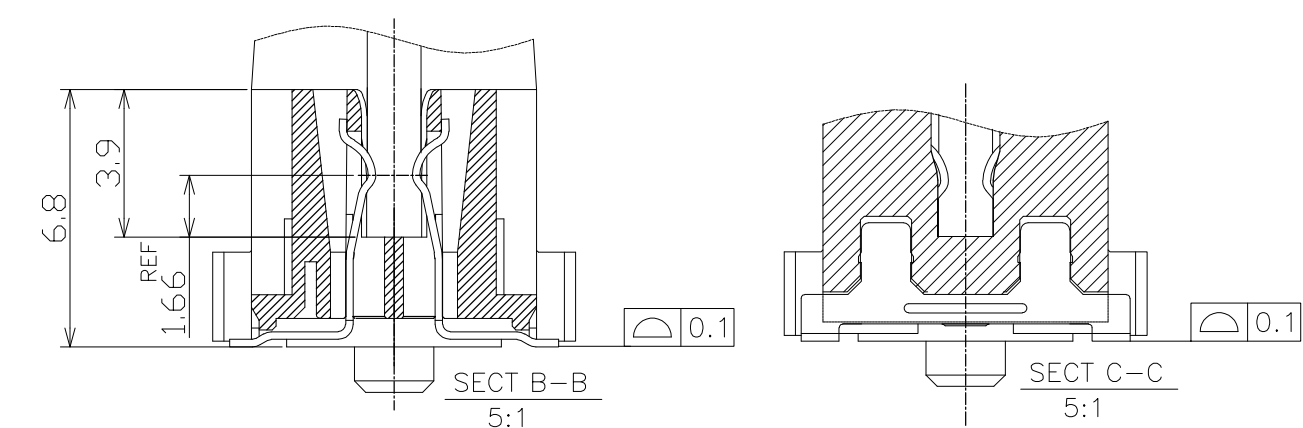
1

THIS DRAWING IS UNPUBLISHED. RELEASED FOR PUBLICATION  
 © COPYRIGHT - By - ALL RIGHTS RESERVED.

LOC	DIST	REVISIONS					
J	/	P	LTR	DESCRIPTION	DATE	DWN	APVD
		C		REVISED ECR-11-019776	27SEP2011	I.T	C.W



- 1.MATERIAL**  
 HOUSING : THERMOPLASTIC, UL94V-0, BLACK  
 CONTACT : COPPER ALLOY  
 SOLDER PEG : COPPER ALLOY  
 EXTRACTOR : THERMOPLASTIC, UL94V-0
- 2.FINISH**  
 CONTACT : Au PL. ON CONTACT AREA  
 TIN PL. ON TINE AREA, Ni UNDER PL. ALL OVER  
 SOLDER PEG : TIN PL., Ni UNDER PL. ALL OVER
- 3.GENERAL TOLERANCES :**  
 10 ≥ : ±0.2  
 100 ≥ >10 : ±0.3  
 ANGLES : ±3°
- 4.CHECK THE EXTRACTOR IS NOT OPEN BEFORE REFLOW AT CUSTOMER LINE.**



30u" Au MIN or 3u" MIN Au+27u" Pd Ni	1-1939495-1
2u" Au MIN FLASH	1939495-4 1939495-1
CONTACT GOLD INTERFACE	PART NUMBER

2	EXTRACTOR	(4)
3	SOLDER PEG	(3)
240	CONTACT	(2)
1	HOUSING	(1)
QTY	NAME	ITEM
WITHOUT TAPE	1939495-4	
REMARKS	PART NUMBER	

1	TAPE	(5)
2	EXTRACTOR	(4)
3	SOLDER PEG	(3)
240	CONTACT	(2)
1	HOUSING	(1)
QTY	NAME	ITEM
WITH TAPE	1-1939495-1	
REMARKS	1939495-1	
	PART NUMBER	

THIS DRAWING IS A CONTROLLED DOCUMENT.

DWN	H.FUKUZAKI	27MAR07
CHK	T.YAMADA	27MAR07
APVD	T.YAMADA	27MAR07
PRODUCT SPEC	108-78453	
APPLICATION SPEC	取付適用規格	
WEIGHT	8.58g	
CUSTOMER DRAWING		

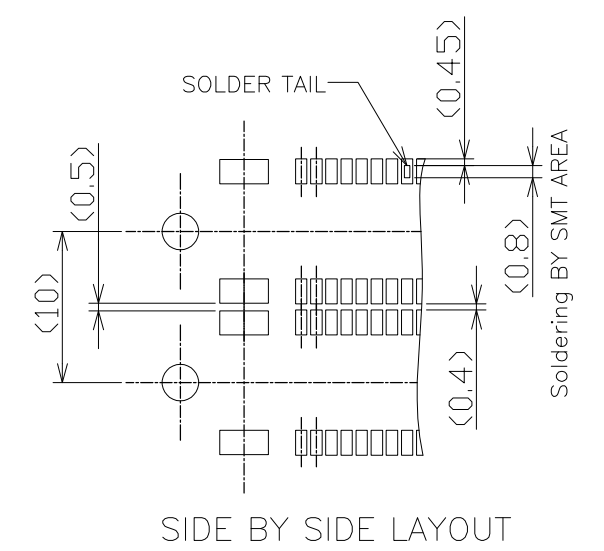
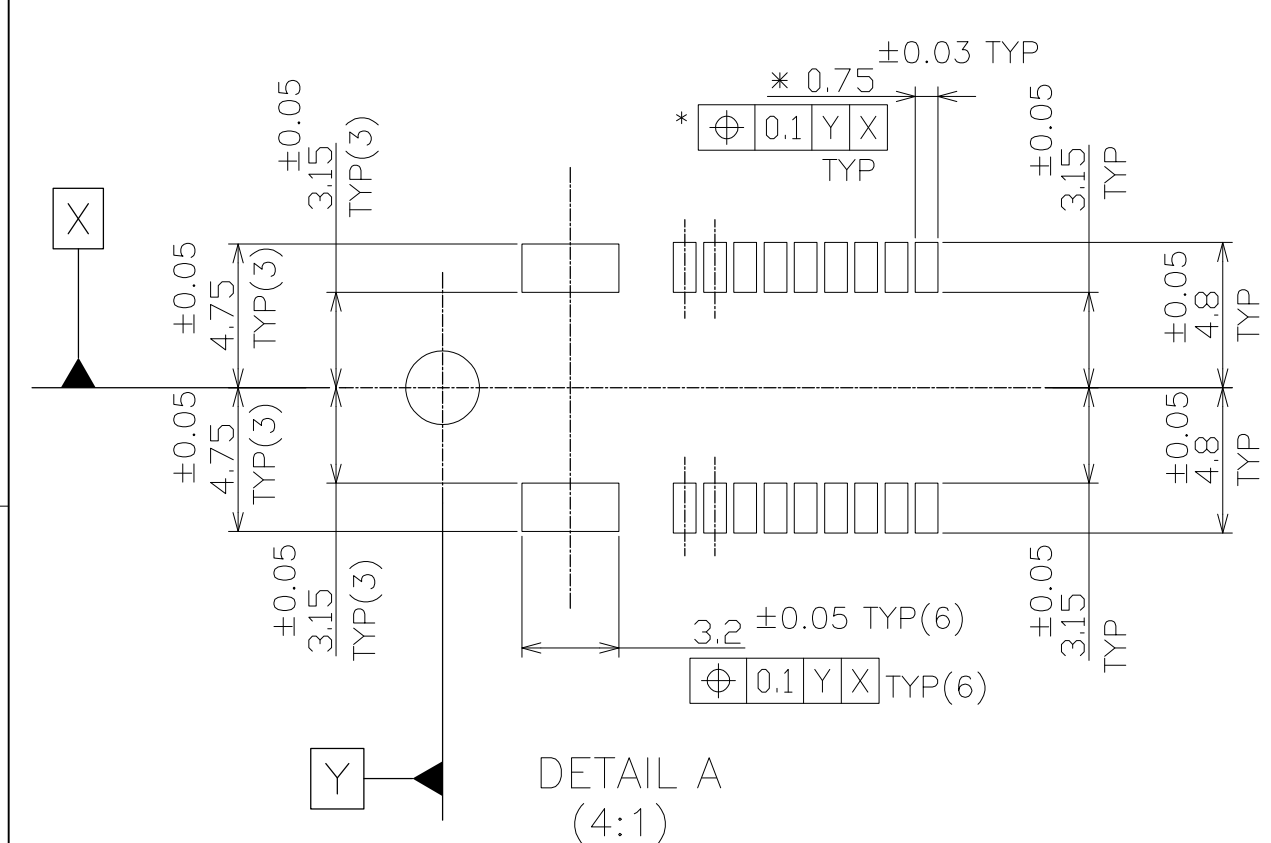
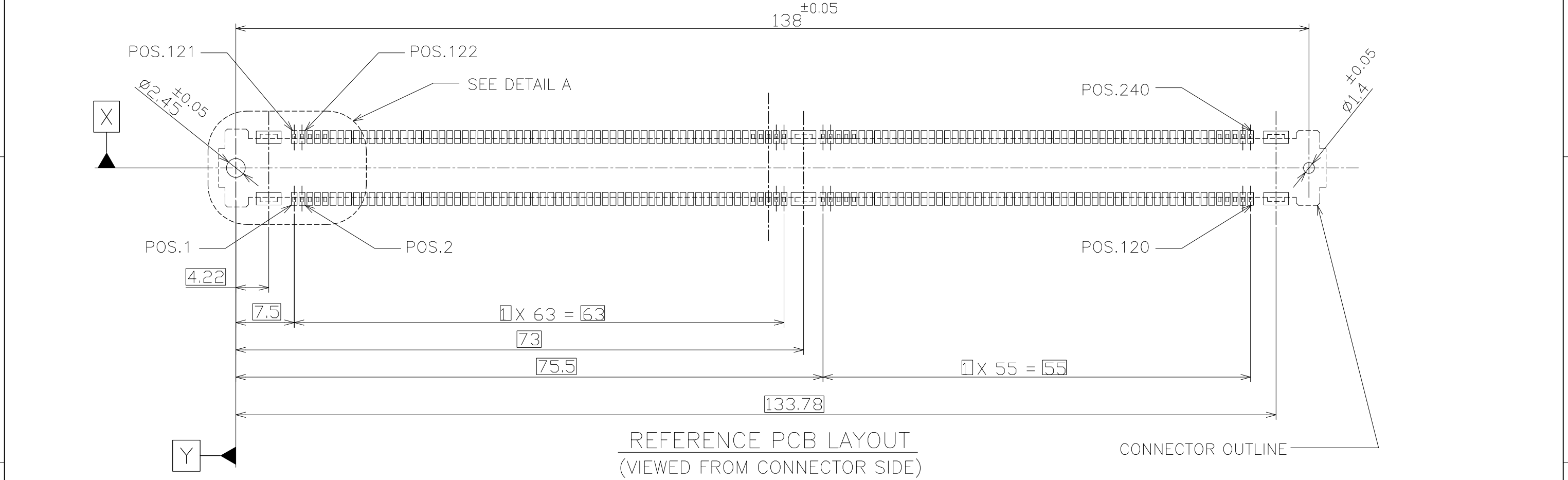
**STE** TE Connectivity

SOCKET ASSEMBLY  
DDR-II, SMT, 240P

SIZE	CAGE CODE	DRAWING NO	RESTRICTED TO
A3	00779	C-1939495	
SCALE	SHEET	REV	
1:1	1 OF 4	C	

THIS DRAWING IS UNPUBLISHED. RELEASED FOR PUBLICATION  
 © COPYRIGHT - By - ALL RIGHTS RESERVED.

LOC	DIST	REVISIONS					
J	/	P	LTR	DESCRIPTION	DATE	DWN	APVD
		-	-	SEE SHEET 1	-	-	-

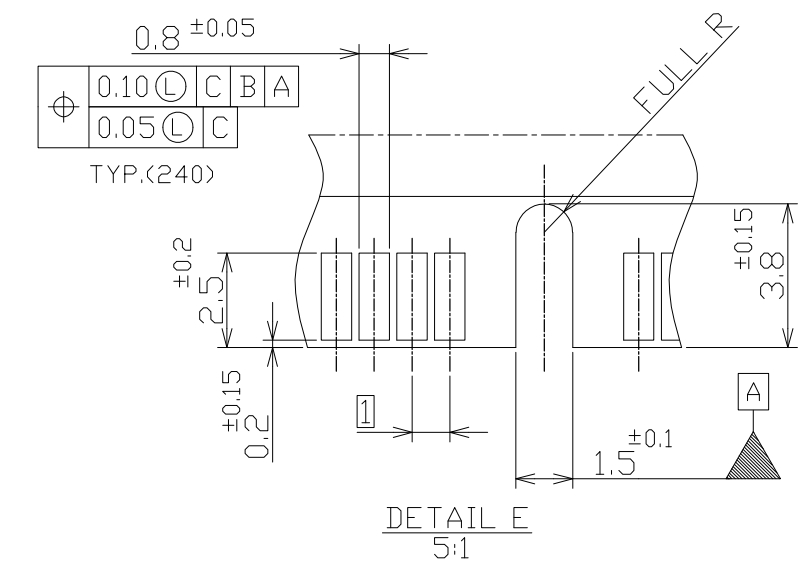
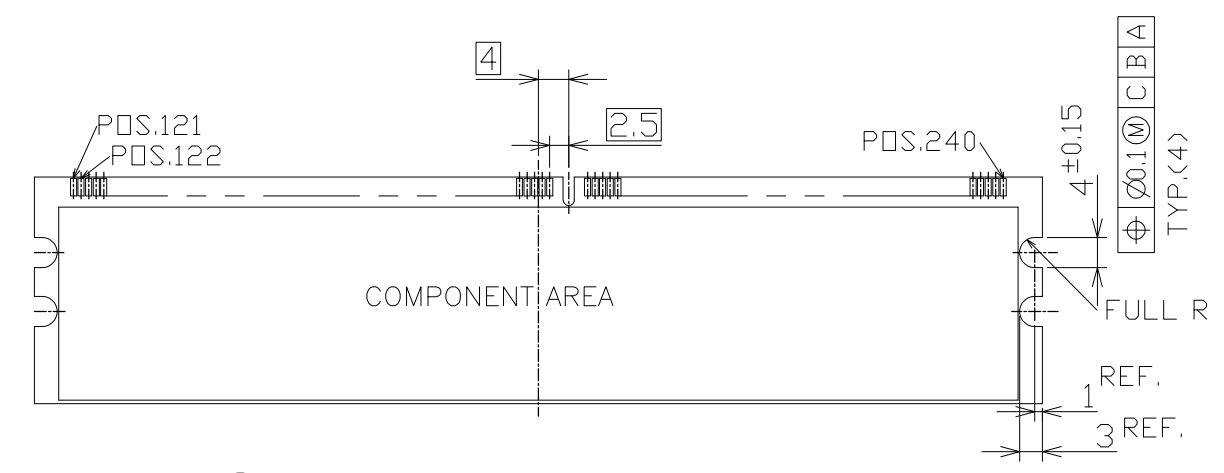
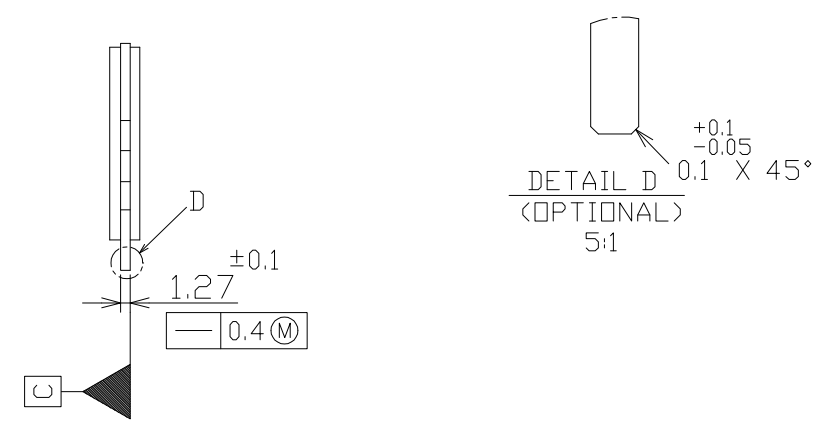
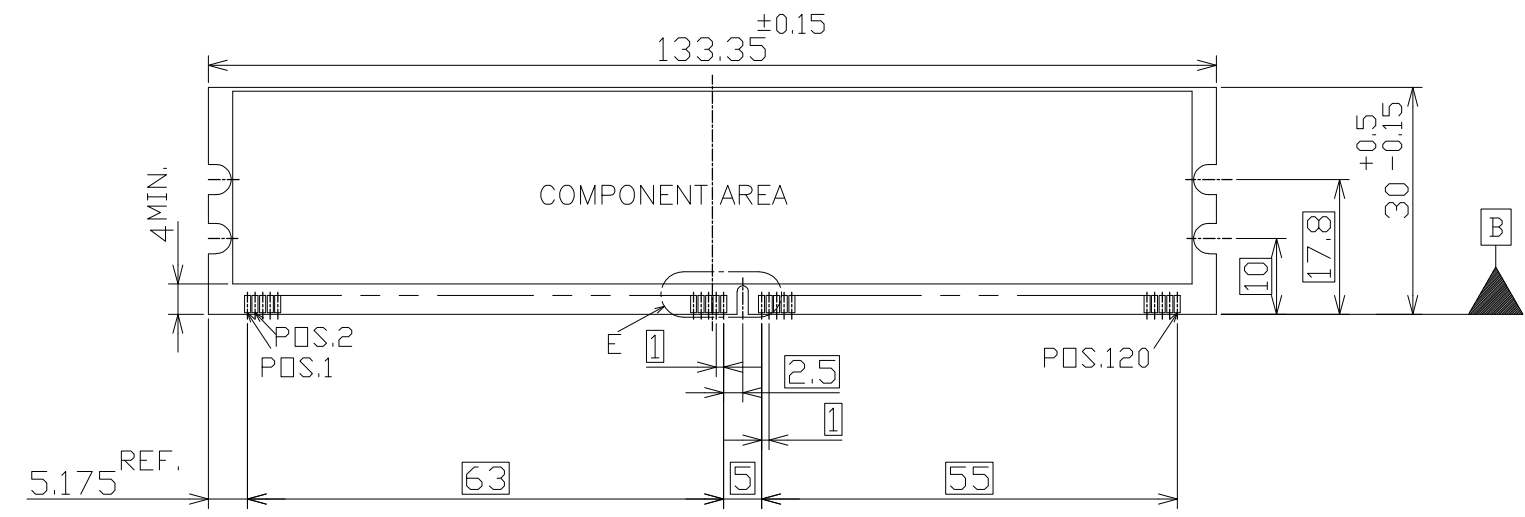


\*: TOLERANCE; NON-CUMMIRATIVE

THIS DRAWING IS A CONTROLLED DOCUMENT.		DWN	-		TE Connectivity
DIMENSIONS: 单位: 耗 mm		CHK	-		
TOLERANCES UNLESS OTHERWISE SPECIFIED: 一般公差		APVD	-		SIZE A3
0 PLC ± - 1 PLC ± - 2 PLC ± - 3 PLC ± - 4 PLC ± - ANGLES ± -		PRODUCT SPEC 製品規格	-		
MATERIAL 材料		APPLICATION SPEC 取付適用規格	-		DRAWING NO 番号 C-1939495
FINISH 仕上		WEIGHT	-		
		CUSTOMER DRAWING		SCALE 尺度 2:1	SHEET 2 OF 4
				REV C	

THIS DRAWING IS UNPUBLISHED. RELEASED FOR PUBLICATION  
 © COPYRIGHT - By - ALL RIGHTS RESERVED.

LOC	DIST	REVISIONS					
J	/	P	LTR	DESCRIPTION	DATE	DWN	APVD
		-	-	SEE SHEET 1	-	-	-



REV.2 REFERENCE DIMM PCB LAYOUT  
 (BASED ON STANDARD OF JEDEC MO-237)

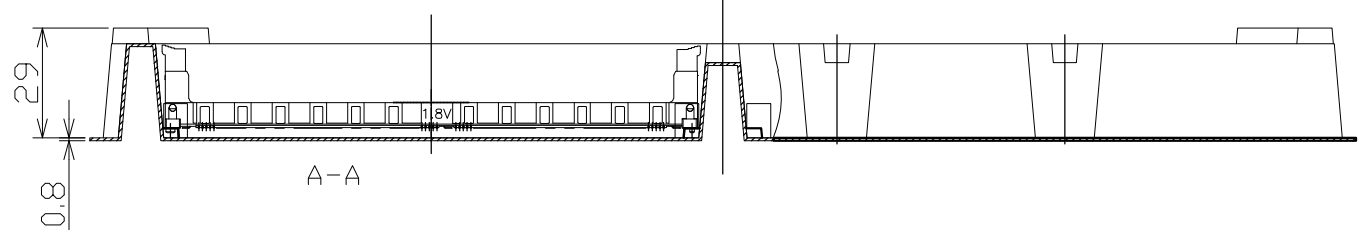
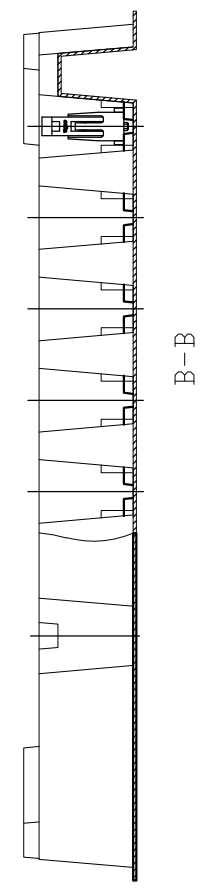
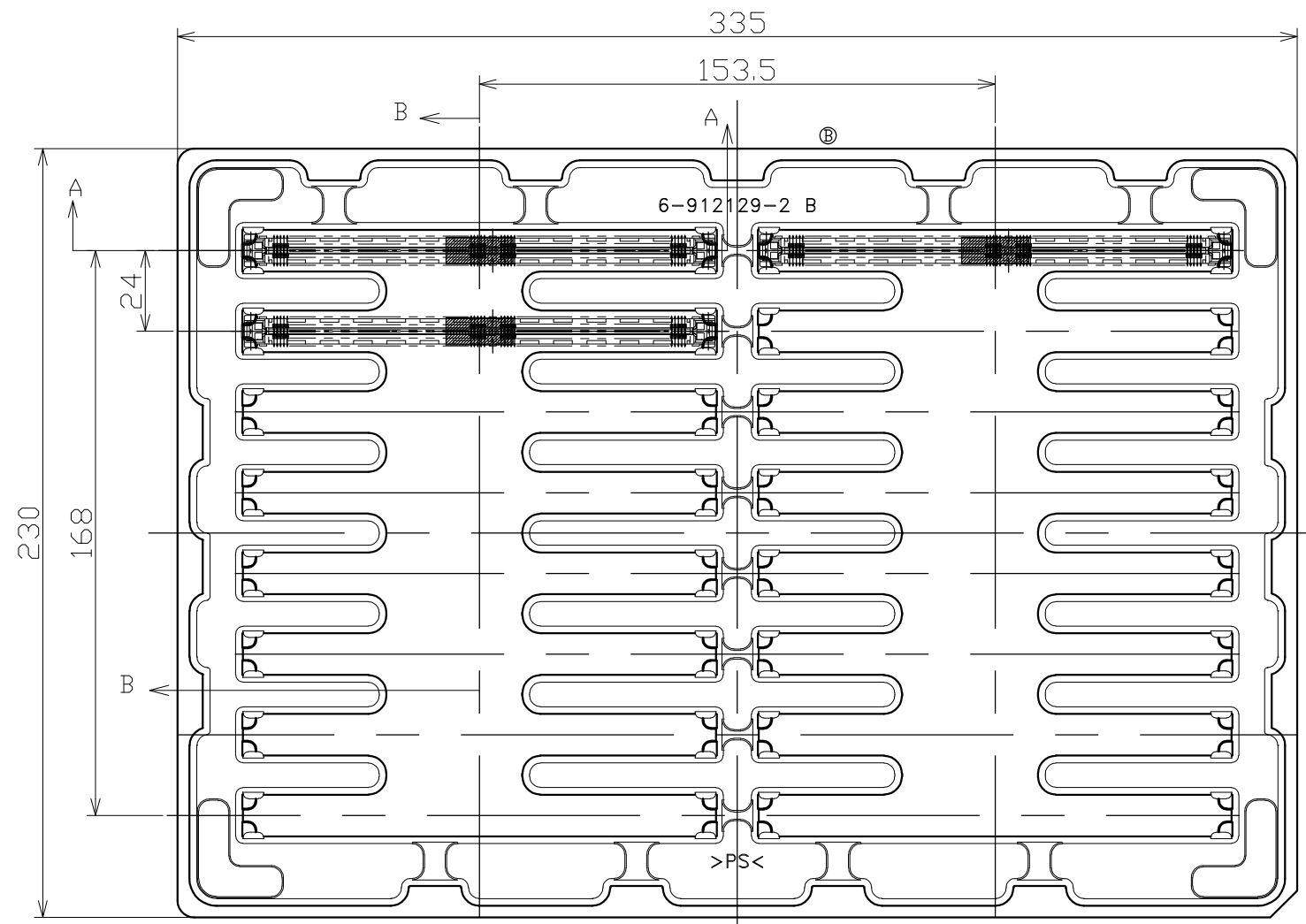
RECOMMENDED PLATING FOR CONTACT PADS ARE:

- 1) PREFERABLE PLATING : ELECTROLYTIC GOLD PLATING 0.76 MICROMETERS MINIMUM OVER ELECTROLYTIC NICKEL 2.00 MICROMETERS MINIMUM.
- 2) ALTERNATIVE PLATING : GOLD PLATING 0.05-0.75 MICROMETERS OVER NICKEL 2.00 MICROMETERS MINIMUM MUST USE AN ELECTRONIC CONTACT GRADE CORROSIVE BARRIER LUBRICANT.


THIS DRAWING IS A CONTROLLED DOCUMENT.		DWN	TE Connectivity			
DIMENSIONS: 单位: 耗 mm 		CHK				
TOLERANCES UNLESS OTHERWISE SPECIFIED: 一般公差 0 PLC ± - 1 PLC ± - 2 PLC ± - 3 PLC ± - 4 PLC ± - ANGLES ± -		APVD	NAME 名称			
MATERIAL 材料		PRODUCT SPEC 製品規格	SOCKET ASSEMBLY			
FINISH 仕上		APPLICATION SPEC 取付適用規格	DDR-II, SMT, 240P			
		WEIGHT	SIZE	CAGE CODE	DRAWING NO 番号	RESTRICTED TO
			A3	00779	C-1939495	
		CUSTOMER DRAWING	SCALE 尺度	SHEET	REV	
			1:1	3 OF 4	C	

THIS DRAWING IS UNPUBLISHED. RELEASED FOR PUBLICATION  
 © COPYRIGHT - By - ALL RIGHTS RESERVED.

LOC	DIST	REVISIONS		
J	/	P	LTR	変更
				DESCRIPTION
				DATE
				DWN
				APVD
				—
				—
				—



TRAY : A TYPE AND B TYPE  
 QTY : 16EA / TRAY

THIS DRAWING IS A CONTROLLED DOCUMENT.		DWN	 TE Connectivity		
DIMENSIONS: 单位: 耗 mm		CHK			
TOLERANCES UNLESS OTHERWISE SPECIFIED: 一般公差		APVD	SOCKET ASSEMBLY DDR-II, SMT, 240P		
0 PLC ± - 1 PLC ± - 2 PLC ± - 3 PLC ± - 4 PLC ± - ANGLES ± -		PRODUCT SPEC 製品規格	SIZE	CAGE CODE	DRAWING NO 番号
MATERIAL 材料		APPLICATION SPEC 取付適用規格	A3	00779	C-1939495
FINISH 仕上		WEIGHT	RESTRICTED TO		—
CUSTOMER DRAWING			SCALE 尺度	SHEET	REV
			NTS	4 OF 4	C