



Chipsmall Limited consists of a professional team with an average of over 10 year of expertise in the distribution of electronic components. Based in Hongkong, we have already established firm and mutual-benefit business relationships with customers from,Europe,America and south Asia,supplying obsolete and hard-to-find components to meet their specific needs.

With the principle of “Quality Parts,Customers Priority,Honest Operation,and Considerate Service”,our business mainly focus on the distribution of electronic components. Line cards we deal with include Microchip,ALPS,ROHM,Xilinx,Pulse,ON,Everlight and Freescale. Main products comprise IC,Modules,Potentiometer,IC Socket,Relay,Connector.Our parts cover such applications as commercial,industrial, and automotives areas.

We are looking forward to setting up business relationship with you and hope to provide you with the best service and solution. Let us make a better world for our industry!



## Contact us

Tel: +86-755-8981 8866 Fax: +86-755-8427 6832

Email & Skype: info@chipsmall.com Web: www.chipsmall.com

Address: A1208, Overseas Decoration Building, #122 Zhenhua RD., Futian, Shenzhen, China



4

3

2

1

THIS DRAWING IS UNPUBLISHED. RELEASED FOR PUBLICATION MAY 2011.  
 © COPYRIGHT 2011 By Tyco Electronics Japan G.K. ALL RIGHTS RESERVED.

LOC	DIST	REVISIONS			
P	LTR	DESCRIPTION	DATE	DWN	APVD
J	-	U1 REVISED	20MAY'15	J.W	C.W

Technical drawings of the ILM cover assembly. The top view shows a rectangular cover with dimensions: REF 9.73, 54.4, REF 36, REF 15.25, REF 66.08, REF 61.2, REF 73.3, REF 6.5, and REF 1.9. Callouts include ①, ②, ③, ④, and ⑤. A detail view shows a T-20 6-LOBE DRIVE with dimensions REF 0.4, 0.6, and 0.9. A side view shows the lever mechanism with dimensions REF 33.2, REF 56.5, and REF 122.6. Callouts include ③ and ④. A side view of the lever shows positions: LOAD PLATE OPEN POSITON, LEVER LOCK POSITON, and LEVER OPEN POSITION. A detail view shows a DATE CODE XXXXXX and TE 13XXLM.

Top view of the ILM cover assembly showing callouts ①, ②, and ⑤. A hole diameter of  $\phi 5.6$  is indicated.

3D VIEW (REFERENCE)

1939738-1 : AS SHOWN

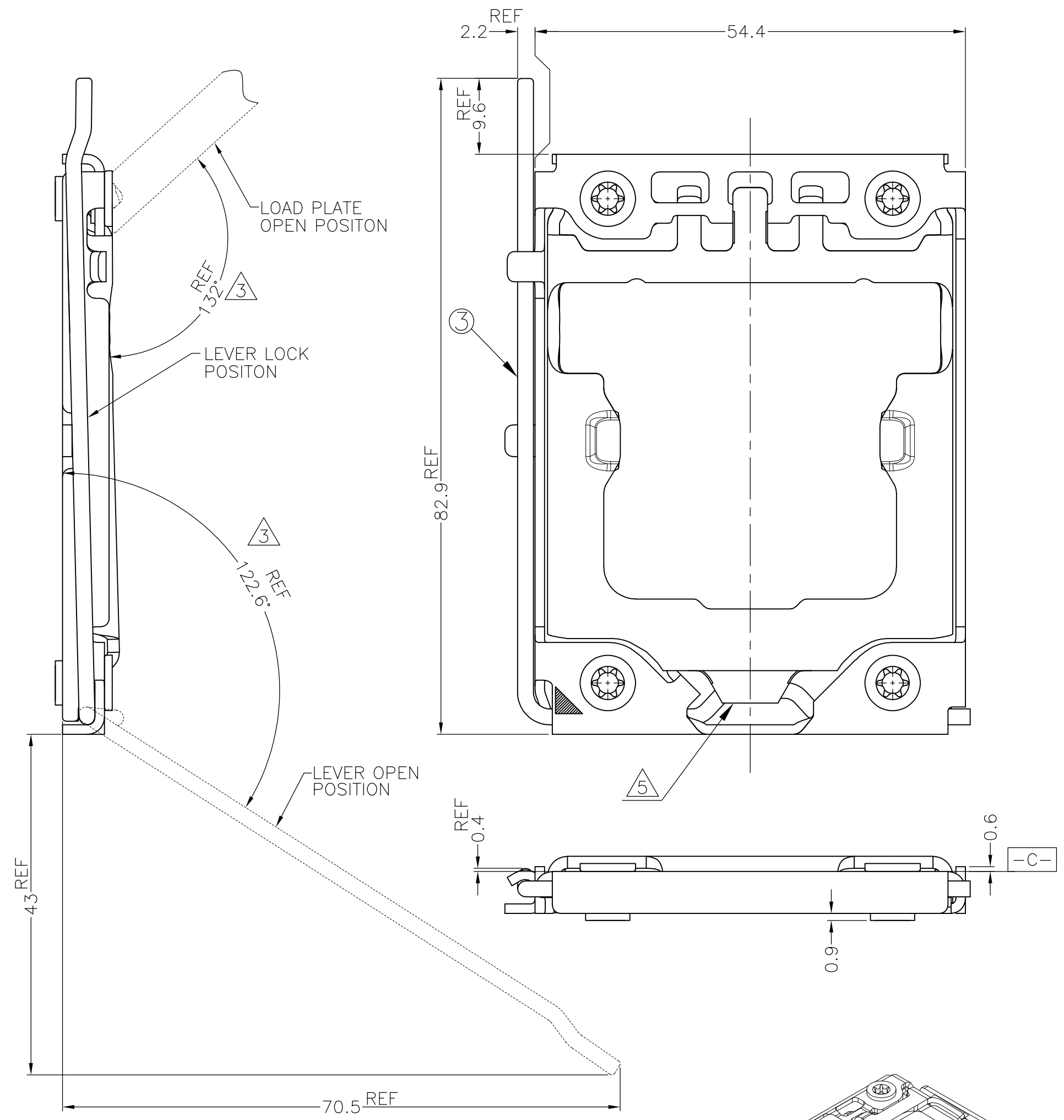
WEIGHT(g)	DESCRIPTION	PART NUMBER
47.1	U LEVER TYPE WITH COVER	2-1939738-1
44.2	SHORT STRAIGHT LEVER TYPE	1-1939738-1
44.0	STRAIGHT LEVER TYPE	1-1939738-2
44.2	U LEVER TYPE	1939738-1

THIS DRAWING IS A CONTROLLED DOCUMENT.		DWN H.TAGUCHI 17DEC2007	<b>TE</b> TE Connectivity	
DIMENSIONS: mm		CHK S.HASHIMOTO 17DEC2007		
TOLERANCES UNLESS OTHERWISE SPECIFIED:		APVD S.HASHIMOTO 17DEC2007	NAME	
0 PLC	±	PRODUCT SPEC	ILM COVER ASSY	
1 PLC	±	APPLICATION SPEC	LGA13XX	
2 PLC	±	108-78496	SIZE	CAGE CODE
3 PLC	±	114-5432	A2	00779
4 PLC	±	SEE TABLE	DRAWING NO	RESTRICTED TO
ANGLES	±	CUSTOMER DRAWING	C=1939738	-
FINISH	±	SCALE 2:1	SHEET 1 of 3	REV U1

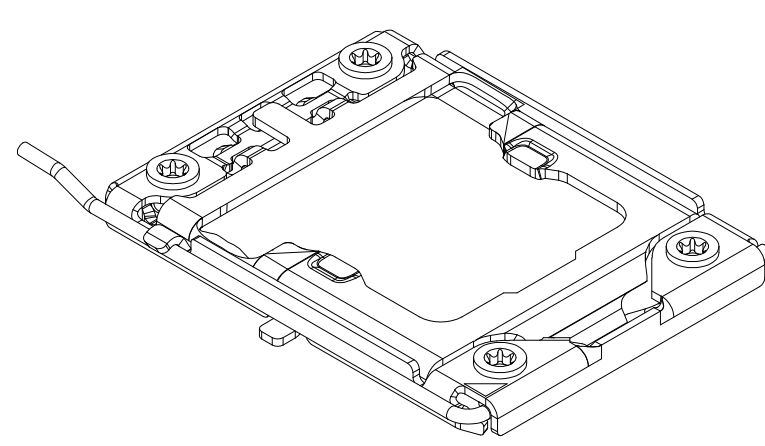
1471-9 (3/11)

1939738

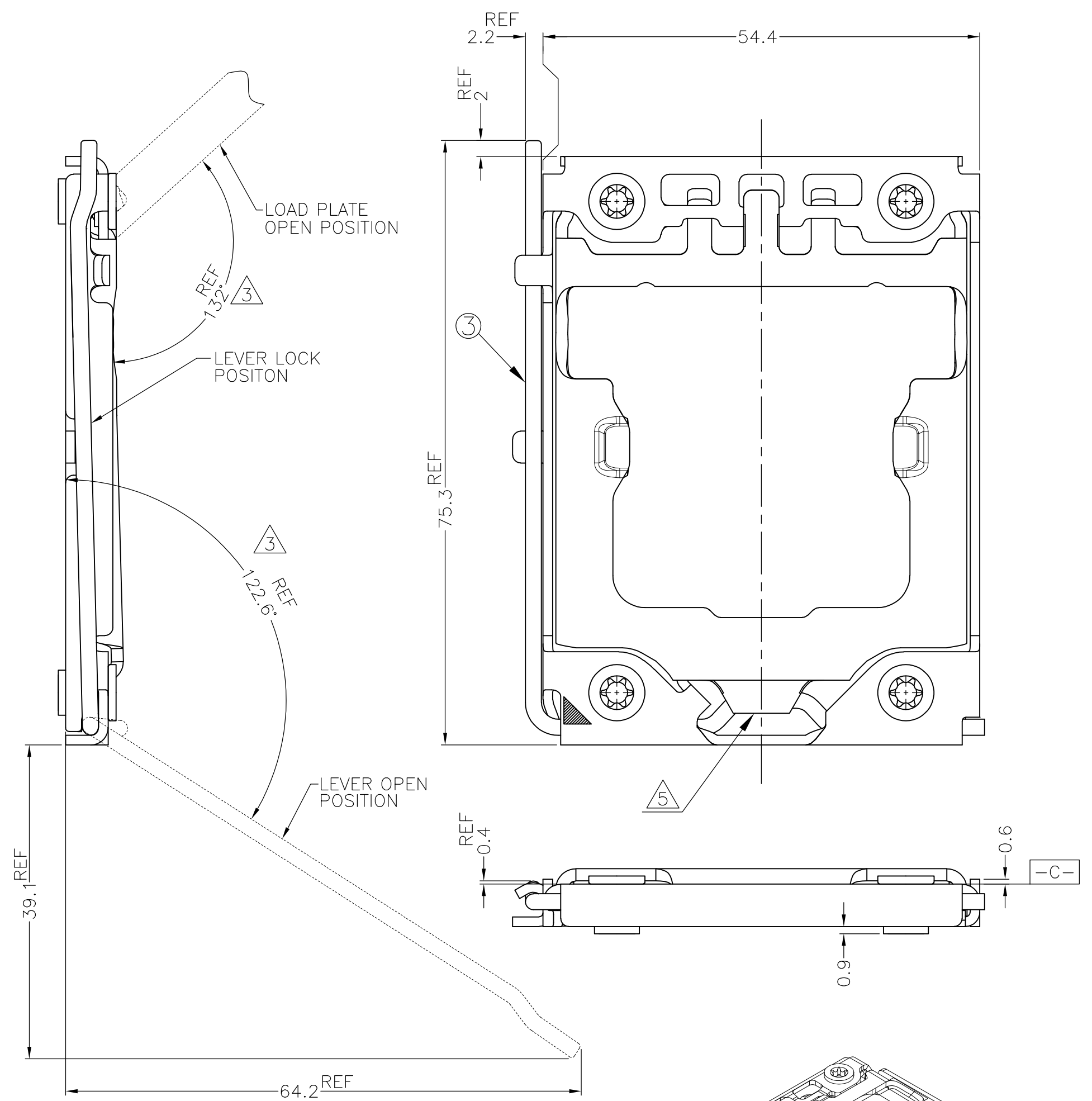
LOC		DIST		REVISIONS			
P	LTR	DESCRIPTION	DATE	DWN	APVD		
-	-	SEE SHEET 1	-	-	-		



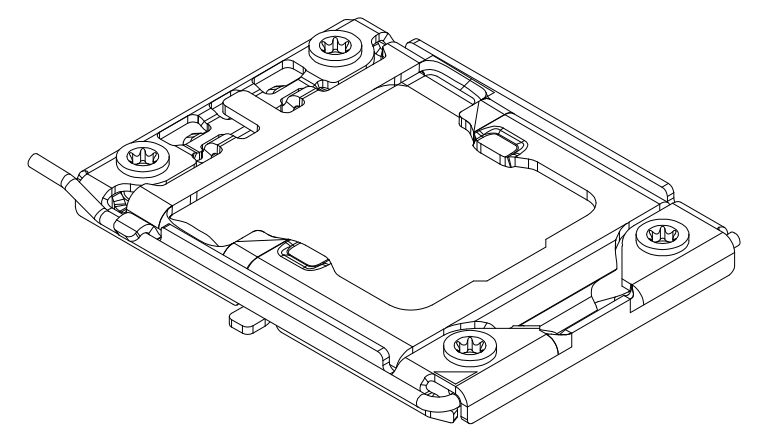
1-1939738-2 : AS SHOWN



3D VIEW (REFERENCE)



1-1939738-1 : AS SHOWN

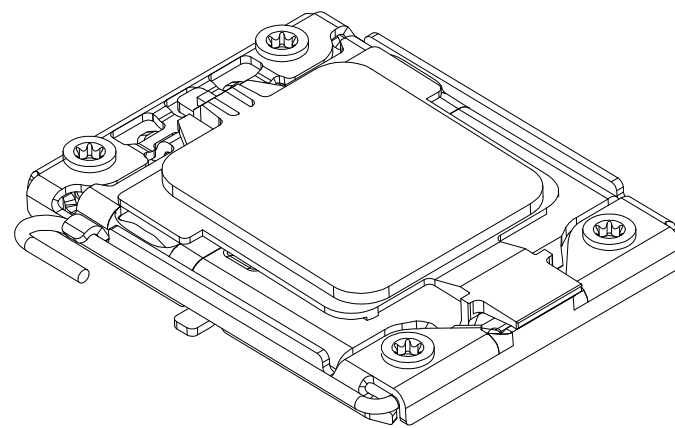
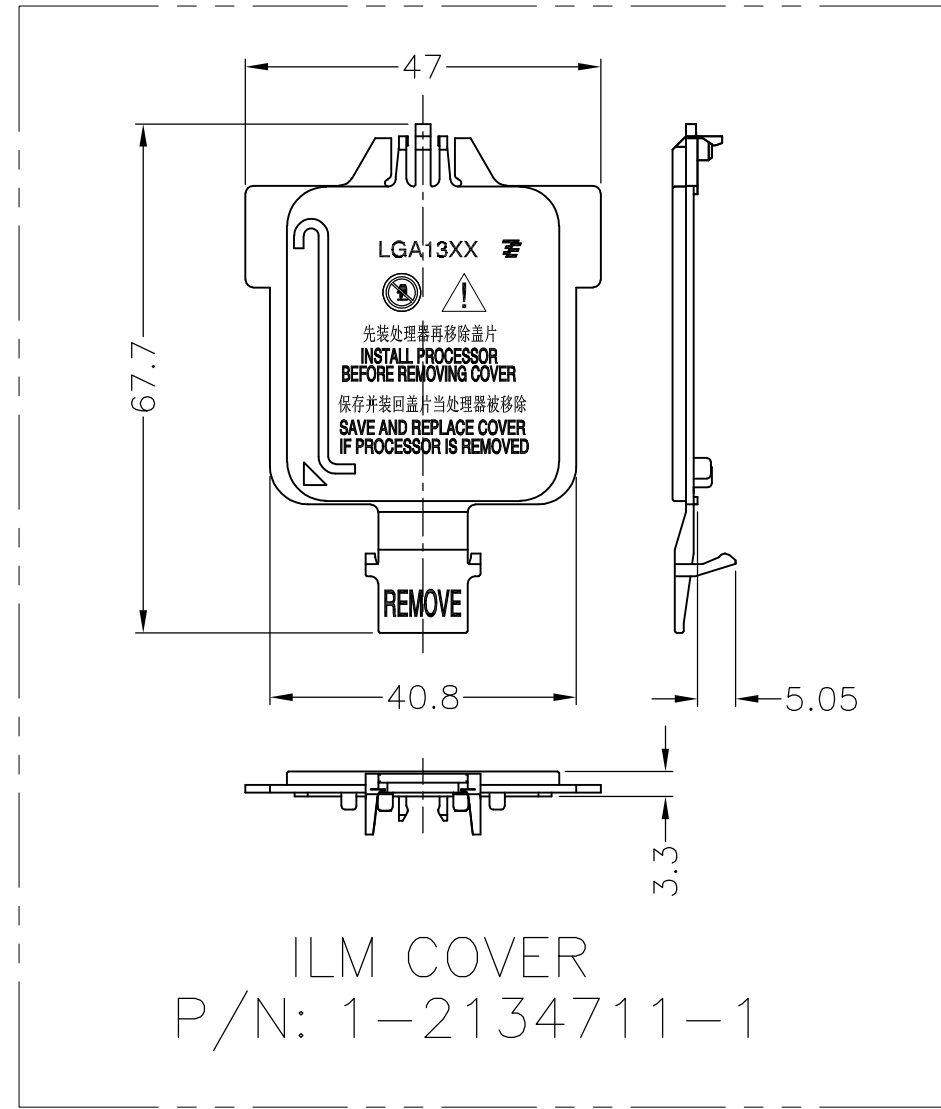
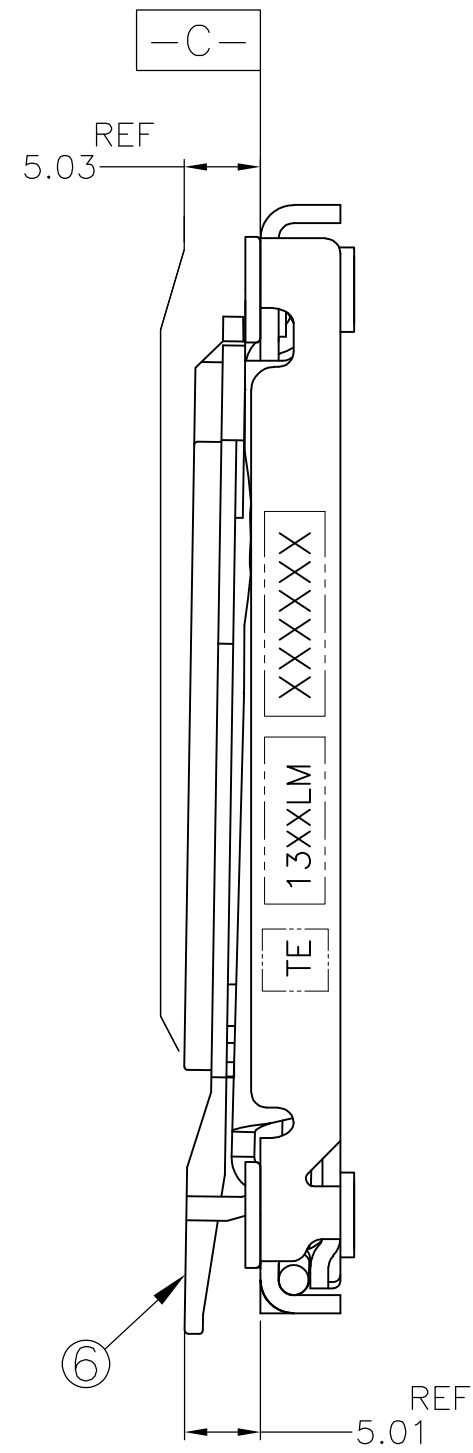
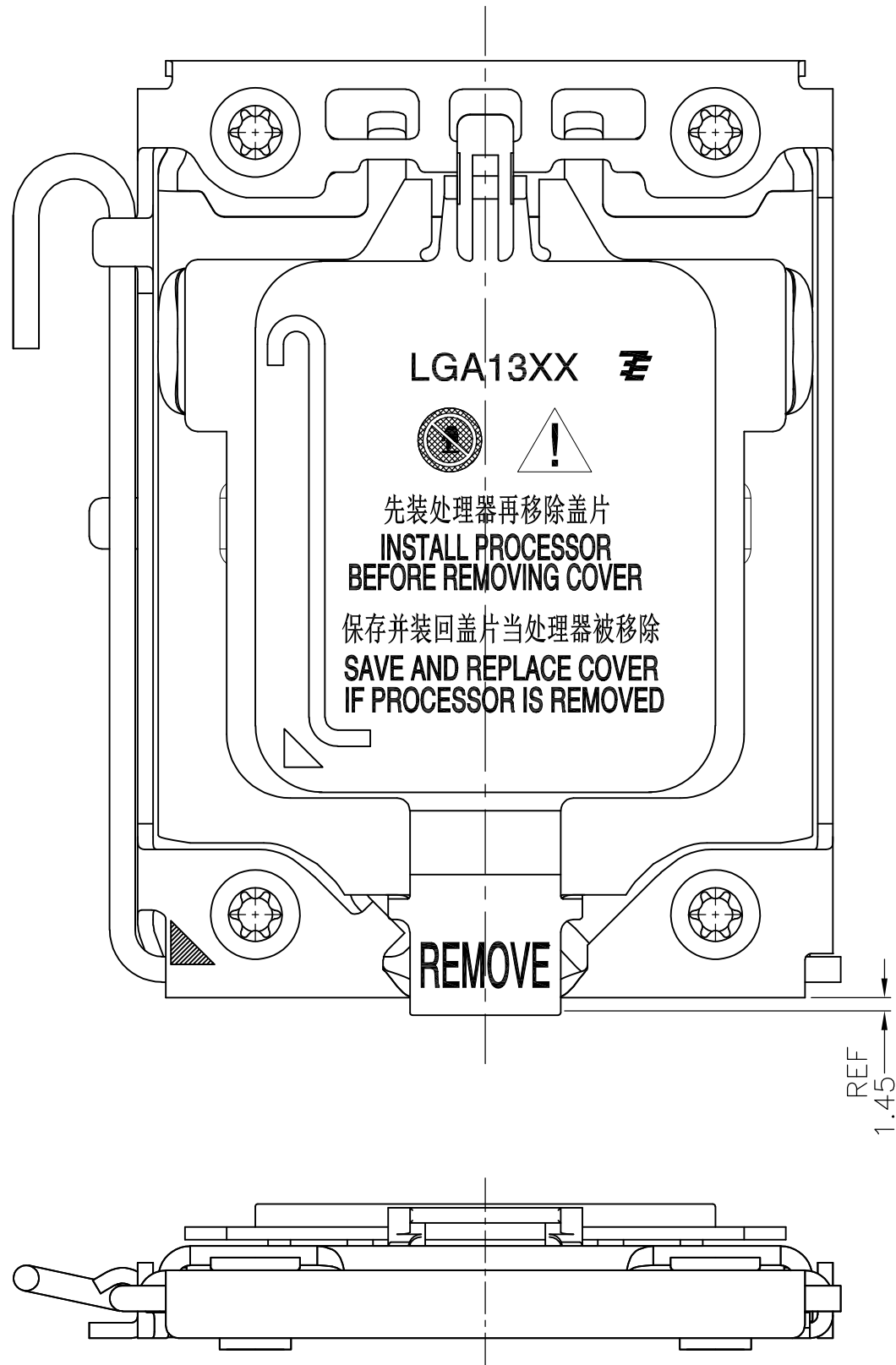


3D VIEW (REFERENCE)

THIS DRAWING IS A CONTROLLED DOCUMENT.		DWN		
DIMENSIONS: mm		CHK		
TOLERANCES UNLESS OTHERWISE SPECIFIED		APVD		
0 PLC ±		PRODUCT SPEC		
1 PLC ± -		APPLICATION SPEC		
2 PLC ± -		WEIGHT		
3 PLC ± -		CUSTOMER DRAWING		
4 PLC ± -		SCALE		
ANGLES ± -		FINISH		
		NAME	TE Connectivity	
		SIZE	A2	
		CAGE CODE	00779	
		DRAWING NO	C=1939738	
		RESTRICTED TO	-	
		SHEET	2 of 3	
		REV	U1	



LOC	DIST	REVISIONS					
		P	LTR	DESCRIPTION	DATE	DWN	APVD
J	-	-	-	SEE SHEET 1	-	-	-



3D VIEW (REFERENCE)

- MATERIAL
    - FRAME: STAINLESS STEEL
    - LOAD PLATE: STAINLESS STEEL
    - LEVER: SUS304, 2 DIA  
FINISH: NICKEL PLATING
    - NUT: STEEL  
FINISH: NICKEL PLATING
    - COLLAR: STEEL  
FINISH: NICKEL PLATING
    - COVER: THERMO-PLASTIC, UL94 V-0, BLACK
  - APPLICABLE SOCKET ASSY LGA1366 OR SOCKET ASSY LGA1356 (DRAWING NUMBER: 1981837 OR 1554116 OR 2229732)
- ⚠ DO NOT OPEN WITH FORCE FROM OPEN END  
 ⚠ INDICATED DATE CODE ON THE FRAME  
 ⚠ LOAD PLATE IS NOT LOCKED BY LEVER

2-1939738-1 : AS SHOWN  
 UNLESS SPECIFIED  
 DIMENSIONS ARE SAME WITH -1

THIS DRAWING IS A CONTROLLED DOCUMENT.		DWN				
DIMENSIONS: mm		CHK				
TOLERANCES UNLESS OTHERWISE SPECIFIED		APVD	NAME			
0 PLC ± 1 PLC ± - 2 PLC ± - 3 PLC ± - 4 PLC ± - ANGLES ± - FINISH		PRODUCT SPEC	ILM COVER ASSY LGA13XX			
MATERIAL		APPLICATION SPEC	SIZE	CAGE CODE	DRAWING NO	RESTRICTED TO
		WEIGHT	A2	00779	C=1939738	-
		CUSTOMER DRAWING	SCALE	NTS	SHEET	3 OF 3
					REV	U1