



Chipsmall Limited consists of a professional team with an average of over 10 year of expertise in the distribution of electronic components. Based in Hongkong, we have already established firm and mutual-benefit business relationships with customers from,Europe,America and south Asia,supplying obsolete and hard-to-find components to meet their specific needs.

With the principle of “Quality Parts,Customers Priority,Honest Operation,and Considerate Service”,our business mainly focus on the distribution of electronic components. Line cards we deal with include Microchip,ALPS,ROHM,Xilinx,Pulse,ON,Everlight and Freescale. Main products comprise IC,Modules,Potentiometer,IC Socket,Relay,Connector.Our parts cover such applications as commercial,industrial, and automotives areas.

We are looking forward to setting up business relationship with you and hope to provide you with the best service and solution. Let us make a better world for our industry!



## Contact us

Tel: +86-755-8981 8866 Fax: +86-755-8427 6832

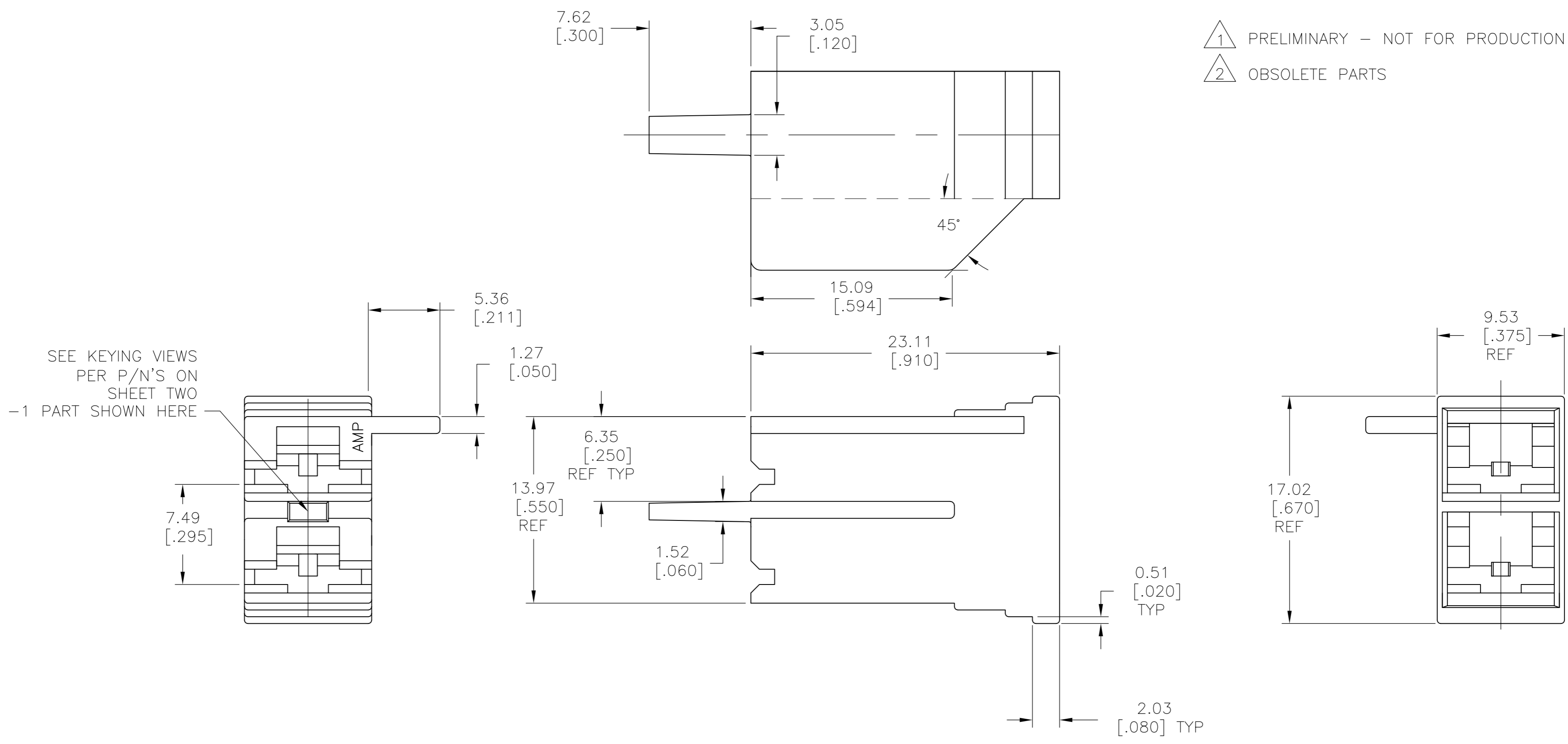
Email & Skype: info@chipsmall.com Web: www.chipsmall.com

Address: A1208, Overseas Decoration Building, #122 Zhenhua RD., Futian, Shenzhen, China



THIS DRAWING IS UNPUBLISHED. RELEASED FOR PUBLICATION  
 © COPYRIGHT - TE Connectivity Ltd. ALL RIGHTS RESERVED.

REVISIONS					
P	LTR	DESCRIPTION	DATE	DWN	APVD
A4		REVISED PER ECR-18-002453	02MAR2018	BDA	DS



1 PRELIMINARY - NOT FOR PRODUCTION  
 2 OBSOLETE PARTS

SEE KEYING VIEWS  
 PER P/N'S ON  
 SHEET TWO  
 -1 PART SHOWN HERE

COLOR	MATERIAL	PART NO
RED	66 NYLON, V0	1 1969232-5
GREEN	66 NYLON, V0	1969232-4
YELLOW	66 NYLON, V0	1969232-3
BLACK	66 NYLON, V0	2 1969232-2
NATURAL	66 NYLON, V0	1969232-1

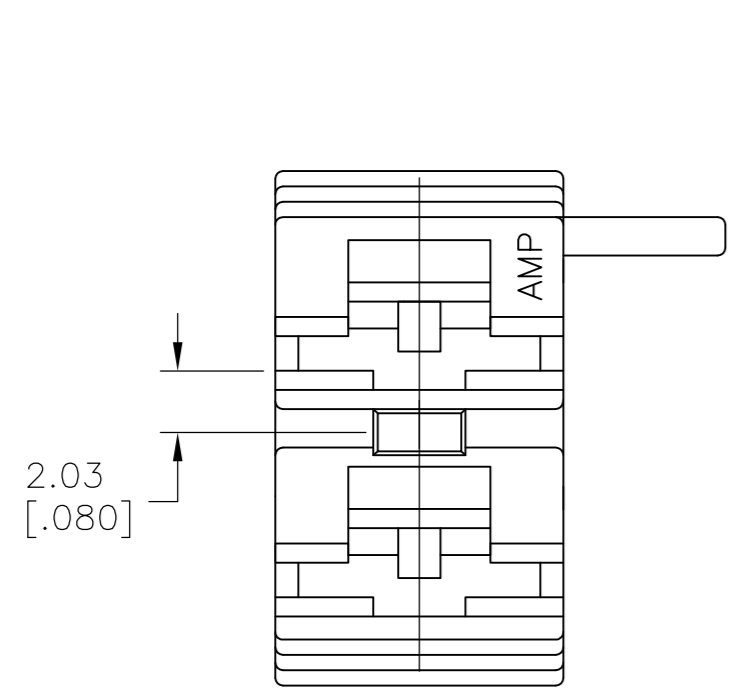
THIS DRAWING IS A CONTROLLED DOCUMENT.

DWN	jr ruth	16DEC08
CHK	P DESANTIS	16DEC08
APVD	P DESANTIS	16DEC08
PRODUCT SPEC	NAME	
APPLICATION SPEC	HOUSING, RECEPTACLE, FASTON, .250 SERIES, 2 CIRCUIT	
WEIGHT	SIZE	CAGE CODE
SEE TABLE	A2	00779
FINISH	DRAWING NO	RESTRICTED TO
SEE TABLE	C=1969232	-
CUSTOMER DRAWING		SCALE
		4:1
		SHEET
		1 OF 2
		REV
		A4

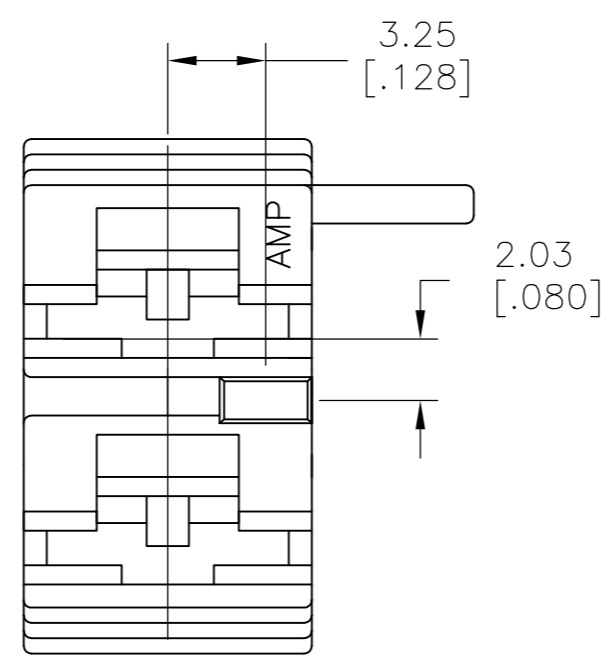
1969232

THIS DRAWING IS UNPUBLISHED. RELEASED FOR PUBLICATION  
 © COPYRIGHT - TE Connectivity Ltd. ALL RIGHTS RESERVED.

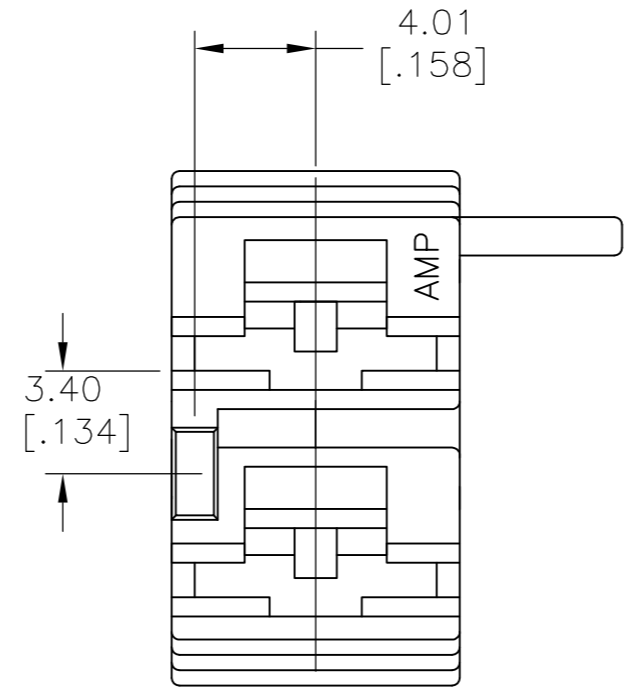
REVISIONS					
P	LTR	DESCRIPTION	DATE	DWN	APVD
-	-	SEE SHEET 1	-	-	-



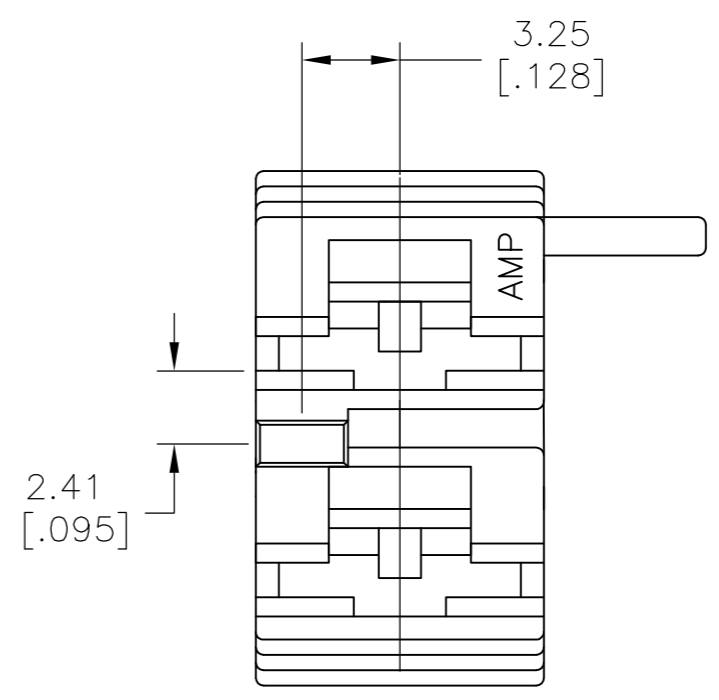
KEYING FOR -1  
TAB ENTRY VIEW  
NATURAL



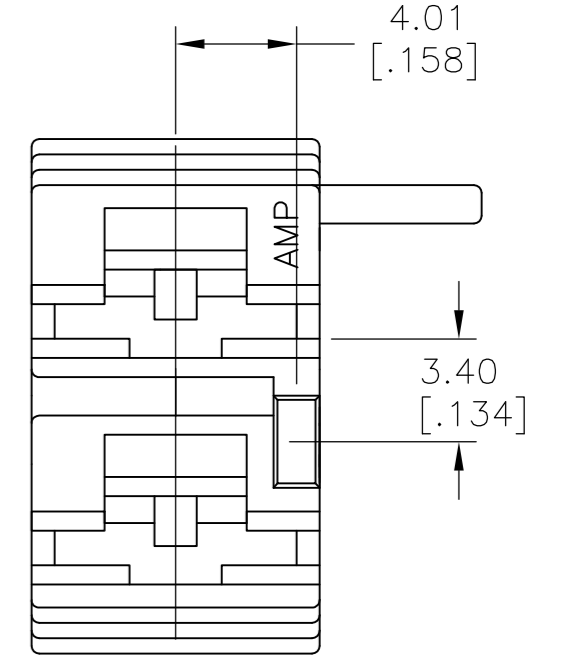
KEYING FOR -2  
TAB ENTRY VIEW  
BLACK



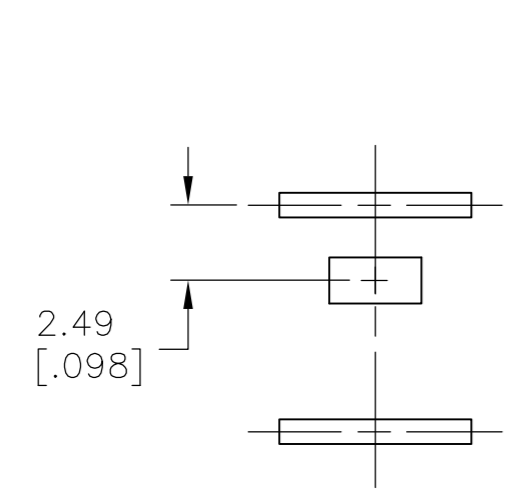
KEYING FOR -3  
TAB ENTRY VIEW  
YELLOW



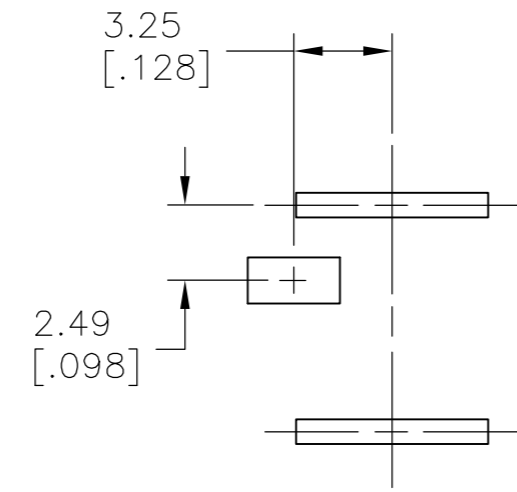
KEYING FOR -4  
TAB ENTRY VIEW  
GREEN



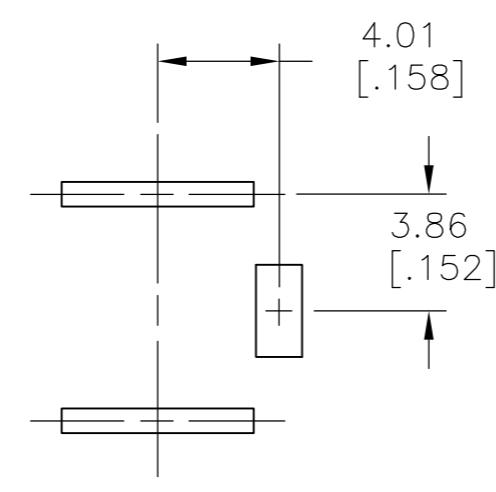
KEYING FOR -5  
TAB ENTRY VIEW  
RED



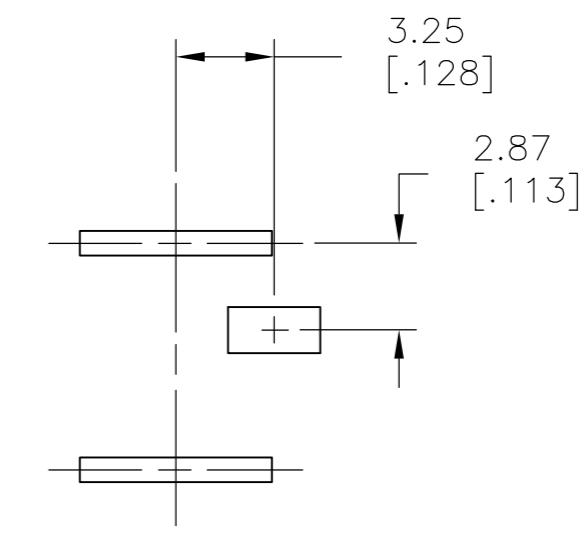
SUGGESTED  
PC BOARD  
CIRCUIT FOR  
1969232-1



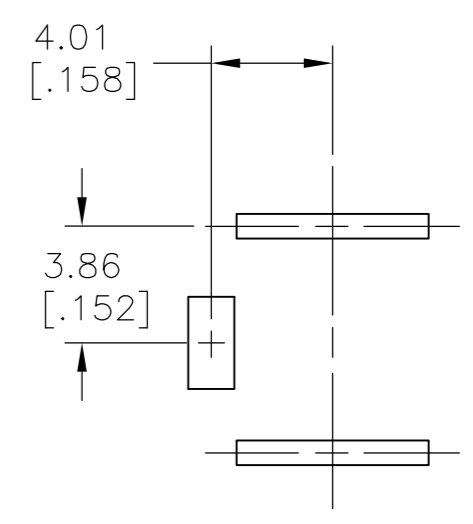
SUGGESTED  
PC BOARD  
CIRCUIT FOR  
1969232-2



SUGGESTED  
PC BOARD  
CIRCUIT FOR  
1969232-3



SUGGESTED  
PC BOARD  
CIRCUIT FOR  
1969232-4



SUGGESTED  
PC BOARD  
CIRCUIT FOR  
1969232-5

THIS DRAWING IS A CONTROLLED DOCUMENT.		DWN jr ruth 16DEC08	TE Connectivity Ltd.	
DIMENSIONS: mm [INCHES]		CHK P DESANTIS 16DEC08		
TOLERANCES UNLESS OTHERWISE SPECIFIED:		APVD P DESANTIS 16DEC08	NAME HOUSING, RECEPTACLE, FASTON, .250 SERIES, 2 CIRCUIT	
0 PLC ± - 1 PLC ± - 2 PLC ± 0.25 [.010] 3 PLC ± - 4 PLC ± - ANGLES ± 5°		PRODUCT SPEC -	SIZE A2	
MATERIAL SEE TABLE		APPLICATION SPEC -	CAGE CODE 00779	DRAWING NO 1969232
FINISH SEE TABLE		WEIGHT -	SCALE 4:1	SHEET 2 OF 2
CUSTOMER DRAWING			RESTRICTED TO -	REV A4