



Chipsmall Limited consists of a professional team with an average of over 10 year of expertise in the distribution of electronic components. Based in Hongkong, we have already established firm and mutual-benefit business relationships with customers from,Europe,America and south Asia,supplying obsolete and hard-to-find components to meet their specific needs.

With the principle of "Quality Parts,Customers Priority,Honest Operation,and Considerate Service",our business mainly focus on the distribution of electronic components. Line cards we deal with include Microchip,ALPS,ROHM,Xilinx,Pulse,ON,Everlight and Freescale. Main products comprise IC,Modules,Potentiometer,IC Socket,Relay,Connector.Our parts cover such applications as commercial,industrial, and automotives areas.

We are looking forward to setting up business relationship with you and hope to provide you with the best service and solution. Let us make a better world for our industry!



## Contact us

Tel: +86-755-8981 8866 Fax: +86-755-8427 6832

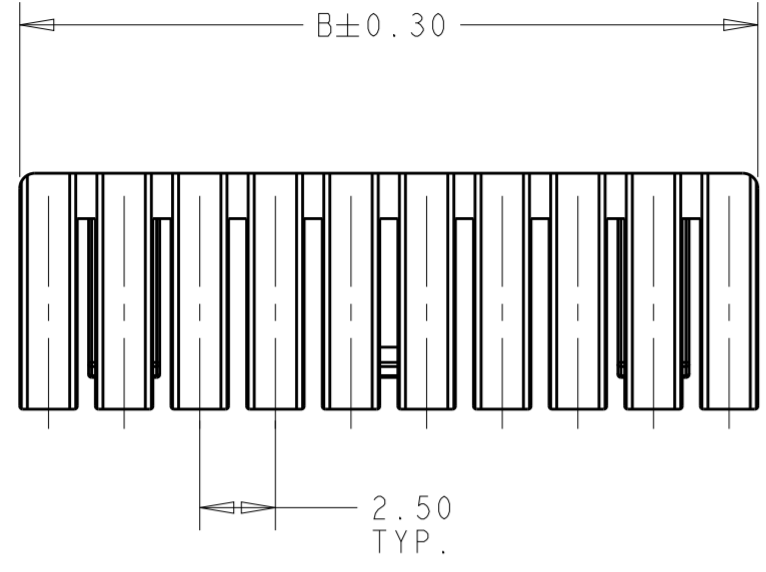
Email & Skype: info@chipsmall.com Web: www.chipsmall.com

Address: A1208, Overseas Decoration Building, #122 Zhenhua RD., Futian, Shenzhen, China



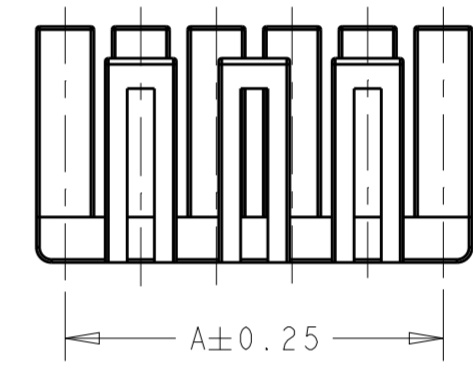
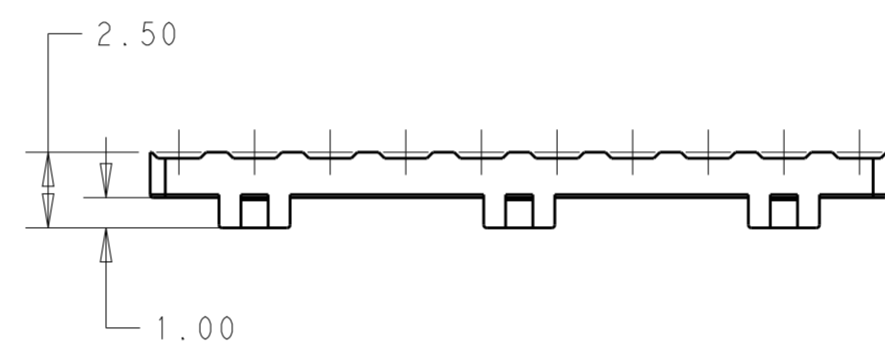
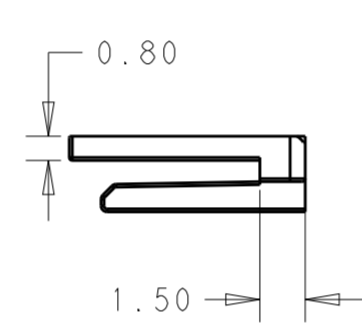
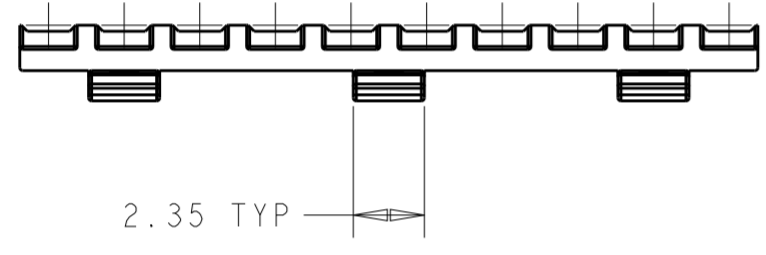
THIS DRAWING IS UNPUBLISHED. RELEASED FOR PUBLICATION  
 © COPYRIGHT copyright.dBTe- ALL RIGHTS RESERVED.

REVISIONS				
P	LTR	DESCRIPTION	DATE	APVD
	A1	REVISED PER ECR-16-013589	27SEP2016	NK DC

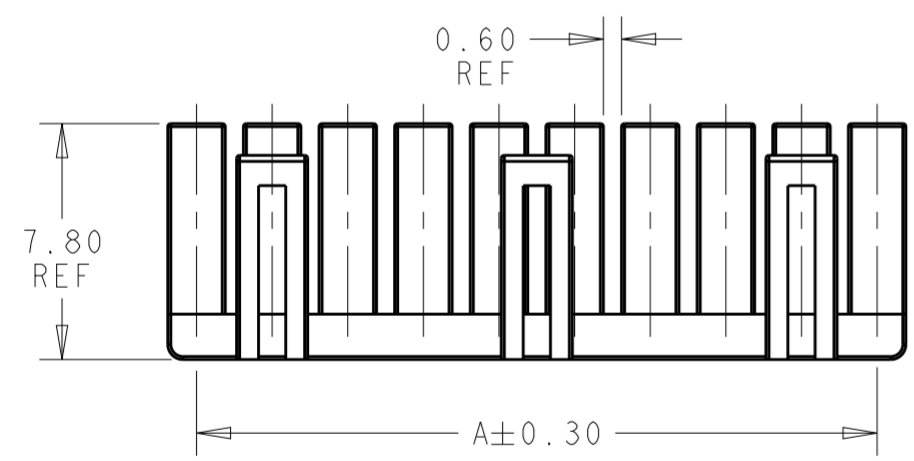


1 MATERIAL:  
 HOUSING - NYLON 66 GLASS FILLED  
 COLOR - BLACK

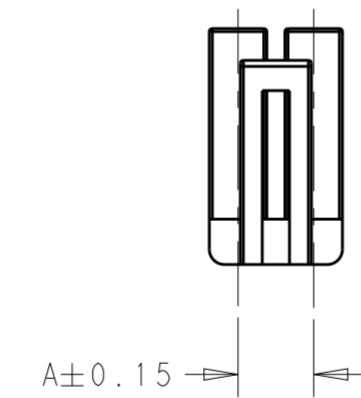
2 MATES WITH TPA HOUSING 1969442-( )



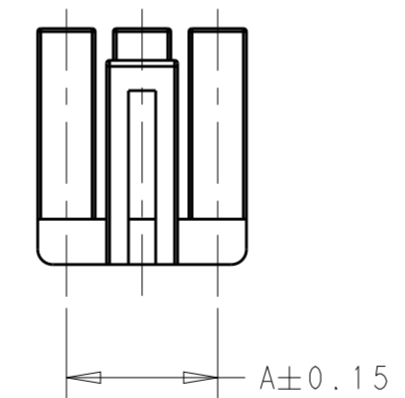
6 POSITION  
 1969443-6



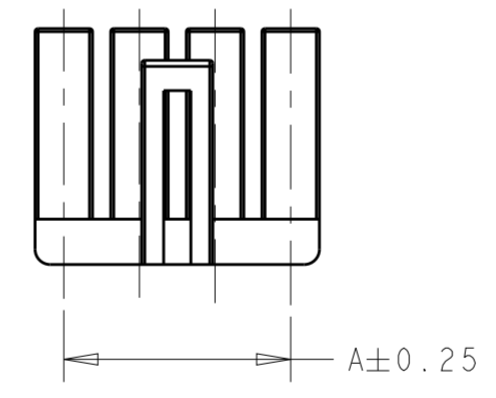
7 THRU 20 POSITION  
 1969443-7 THRU -20



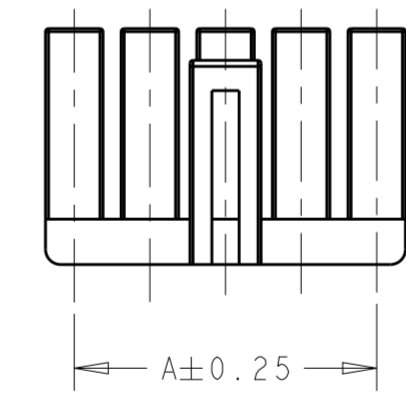
2 POSITION  
 1969443-2



3 POSITION  
 1969443-3

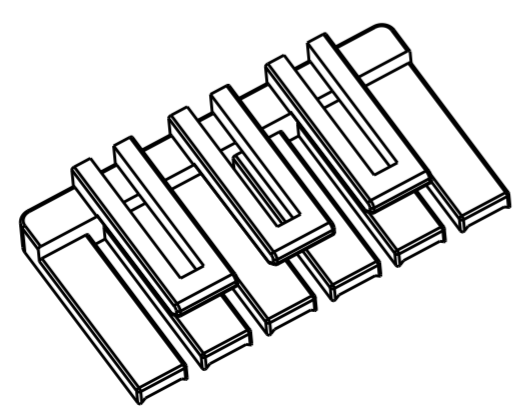


4 POSITION  
 1969443-4



5 POSITION  
 1969443-5

20	49.4	47.5	2-1969443-0
19	46.9	45.0	1-1969443-9
18	44.4	42.5	1-1969443-8
17	41.9	40.0	1-1969443-7
16	39.4	37.5	1-1969443-6
15	36.9	35.0	1-1969443-5
14	34.4	32.5	1-1969443-4
13	31.9	30.0	1-1969443-3
12	29.4	27.5	1-1969443-2
11	26.9	25.0	1-1969443-1
10	24.4	22.5	1-1969443-0
9	21.9	20.0	1969443-9
8	19.4	17.5	1969443-8
7	16.9	15.0	1969443-7
6	14.4	12.5	1969443-6
5	11.9	10.0	1969443-5
4	9.4	7.5	1969443-4
3	6.9	5.0	1969443-3
2	4.4	2.5	1969443-2
POS	DIM B	DIM A	PART NUMBER



THIS DRAWING IS A CONTROLLED DOCUMENT.

DIMENSIONS:	TOLERANCES UNLESS OTHERWISE SPECIFIED:	DWN: 01 JUN 2016 NAGALAKSHMI K	TE Connectivity NAME: ECONOMY POWER 2.5 TPA RETAINER PRODUCT SPEC: 108-2418 APPLICATION SPEC: 114-13315 WEIGHT: - CUSTOMER DRAWING
mm	0 PLC ± 1 PLC ± 2 PLC ±0.13 3 PLC ± 4 PLC ±	CHK: 01 JUN 2016 CHIARELLI DAVIDE	
	ANGLES ± FINISH -	APVD: 01 JUN 2016 CHIARELLI DAVIDE	
MATERIAL:			

SIZE: A2	CAGE CODE: 00779	DRAWING NO: C-1969443	RESTRICTED TO: -
SCALE: 4:1	SHEET: 1	OF: 1	REV: A1