



Chipsmall Limited consists of a professional team with an average of over 10 year of expertise in the distribution of electronic components. Based in Hongkong, we have already established firm and mutual-benefit business relationships with customers from,Europe,America and south Asia,supplying obsolete and hard-to-find components to meet their specific needs.

With the principle of “Quality Parts,Customers Priority,Honest Operation,and Considerate Service”,our business mainly focus on the distribution of electronic components. Line cards we deal with include Microchip,ALPS,ROHM,Xilinx,Pulse,ON,Everlight and Freescale. Main products comprise IC,Modules,Potentiometer,IC Socket,Relay,Connector.Our parts cover such applications as commercial,industrial, and automotives areas.

We are looking forward to setting up business relationship with you and hope to provide you with the best service and solution. Let us make a better world for our industry!



Contact us

Tel: +86-755-8981 8866 Fax: +86-755-8427 6832

Email & Skype: info@chipsmall.com Web: www.chipsmall.com

Address: A1208, Overseas Decoration Building, #122 Zhenhua RD., Futian, Shenzhen, China

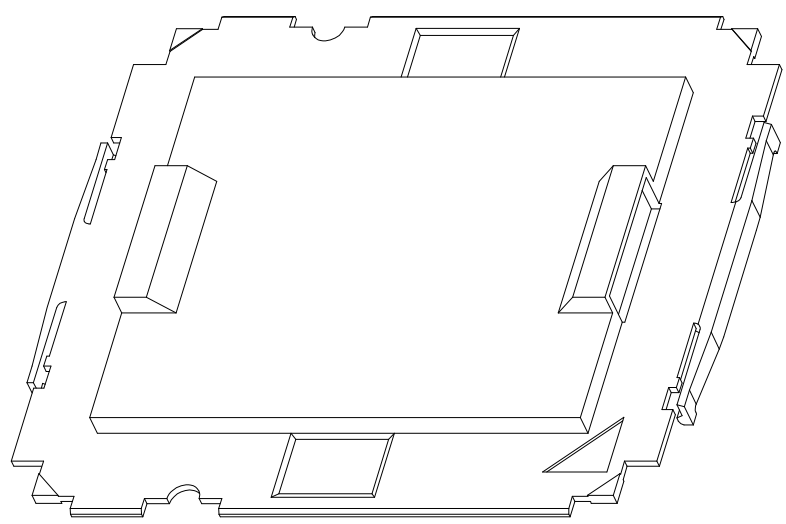
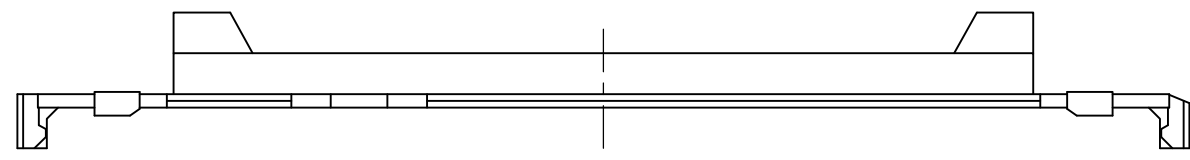
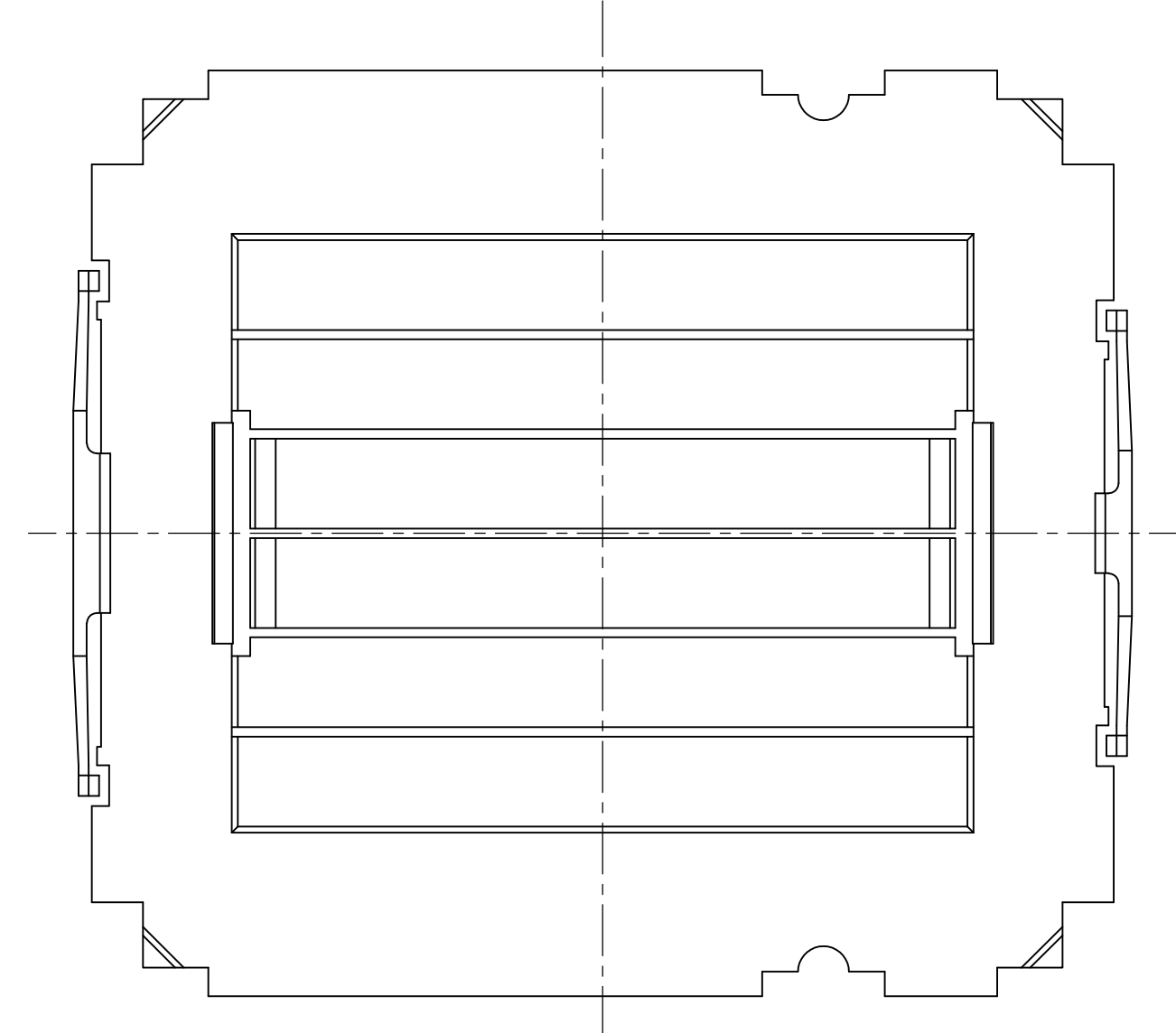
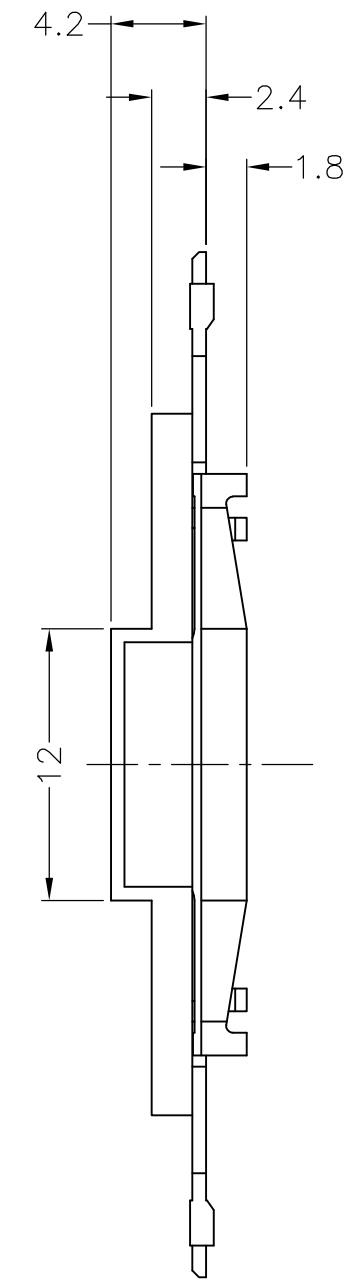
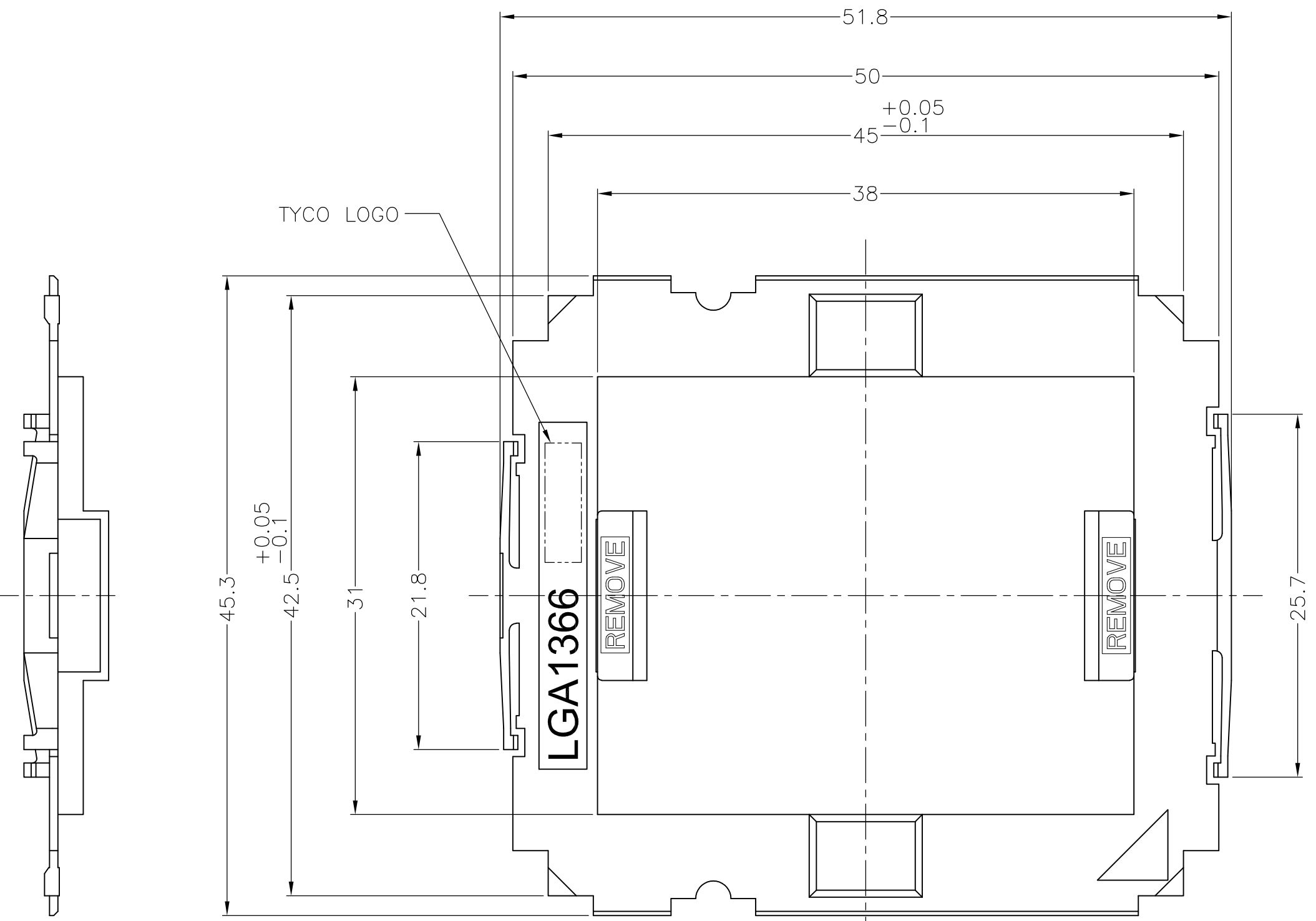


THIS DRAWING IS UNPUBLISHED. RELEASED FOR PUBLICATION
 © COPYRIGHT BY TYCO ELECTRONICS CORPORATION. ALL RIGHTS RESERVED.

LOC	DIST	REVISIONS					
		P	LTR	DESCRIPTION	DATE	DWN	APVD
J	-	A		RELEASED	10OCT'08	J.M	S.H

NOTES

1. MATERIAL : HIGH TEMP, THERMO-PLASTIC, UL94V-0, BLACK



REFERENCE 3D VIEW

P/N: 1-1981374-1 AS SHOWN

THIS DRAWING IS A CONTROLLED DOCUMENT.		DWN J.MIZUSHIMA 10OCT2008	Tyco Electronics Corporation Kawasaki, Japan	
DIMENSIONS: 単位: 精 mm		CHK H.TAGUCHI 10OCT2008	NAME CAP LGA1366	
TOLERANCES UNLESS OTHERWISE SPECIFIED: 一般公差		APVD S.HASHIMOTO 10OCT2008	SIZE A2	CAGE CODE 00779
0 PLC ± 0.3	PRODUCT SPEC 製品規格	DRAWING NO 番号 C=1981374		RESTRICTED TO -
1 PLC ± 0.3	APPLICATION SPEC 取付適用規格	SCALE 尺度 NTS		SHEET 1 of 1
2 PLC ± 0.3	FINISH 仕上	WEIGHT 3.5 g		REV A
3 PLC ± 0.3		CUSTOMER DRAWING		
4 PLC ± 0.3				
ANGLES ± 3'				