



Chipsmall Limited consists of a professional team with an average of over 10 year of expertise in the distribution of electronic components. Based in Hongkong, we have already established firm and mutual-benefit business relationships with customers from,Europe,America and south Asia,supplying obsolete and hard-to-find components to meet their specific needs.

With the principle of “Quality Parts,Customers Priority,Honest Operation,and Considerate Service”,our business mainly focus on the distribution of electronic components. Line cards we deal with include Microchip,ALPS,ROHM,Xilinx,Pulse,ON,Everlight and Freescale. Main products comprise IC,Modules,Potentiometer,IC Socket,Relay,Connector.Our parts cover such applications as commercial,industrial, and automotives areas.

We are looking forward to setting up business relationship with you and hope to provide you with the best service and solution. Let us make a better world for our industry!



## Contact us

Tel: +86-755-8981 8866 Fax: +86-755-8427 6832

Email & Skype: info@chipsmall.com Web: www.chipsmall.com

Address: A1208, Overseas Decoration Building, #122 Zhenhua RD., Futian, Shenzhen, China



LOC	DIST	REVISIONS					
HP	00	P	LTR	DESCRIPTION	DATE	DWN	APVD
		B		RELEASE PER ECO-11-015160	22JUL11	JS	JS

D

C

B

A

D

C

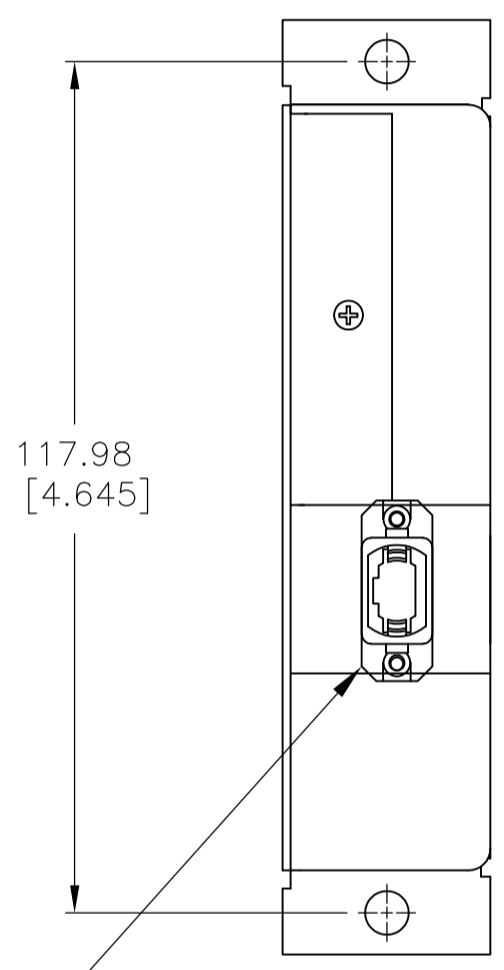
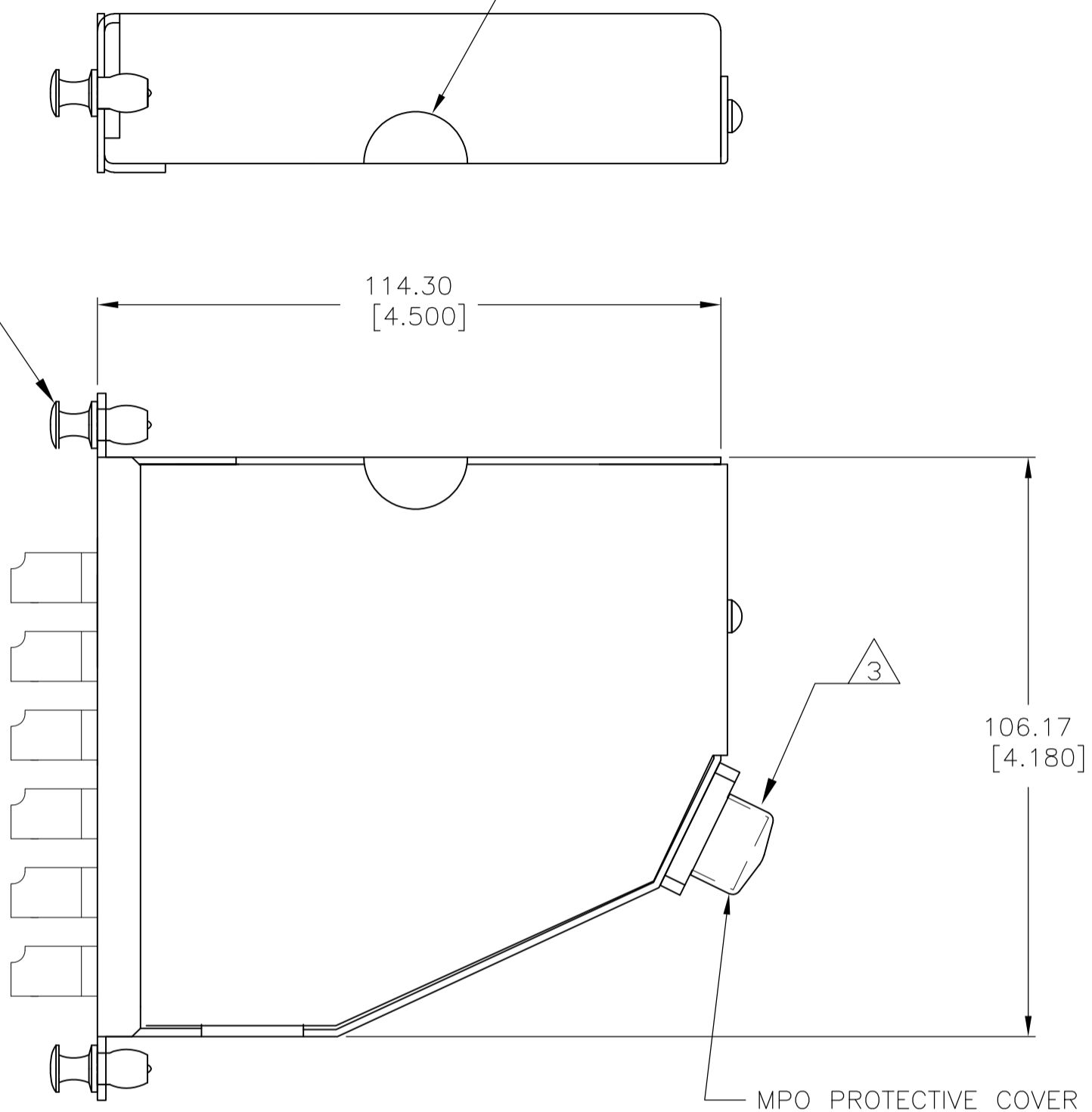
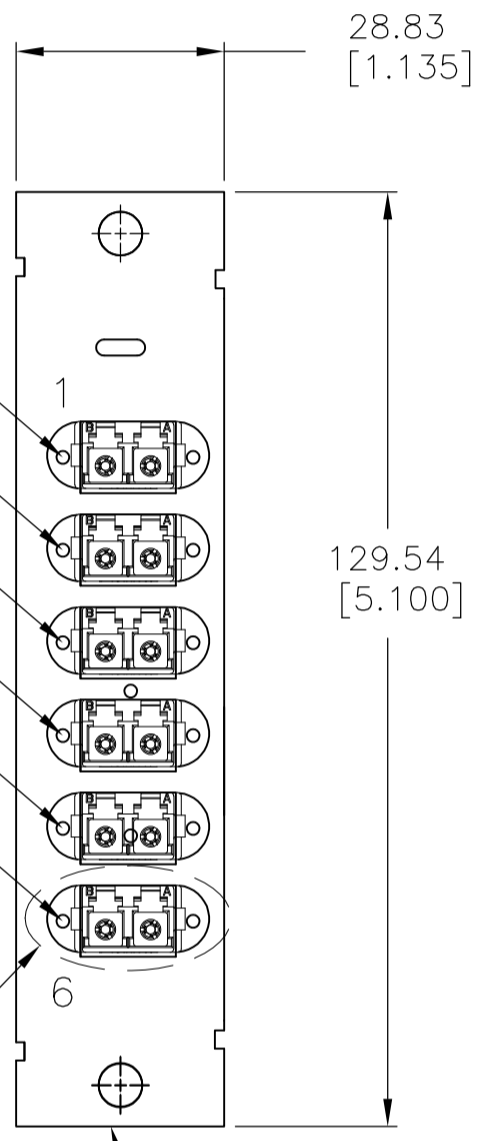
B

A

WARRANTY LABEL

PLUNGER & GROMMET  
 MATERIAL: PLASTIC  
 COLOR: BLACK  
 2 PLC

- LC PORT #1
- LC PORT #2
- LC PORT #3
- LC PORT #4
- LC PORT #5
- LC PORT #6

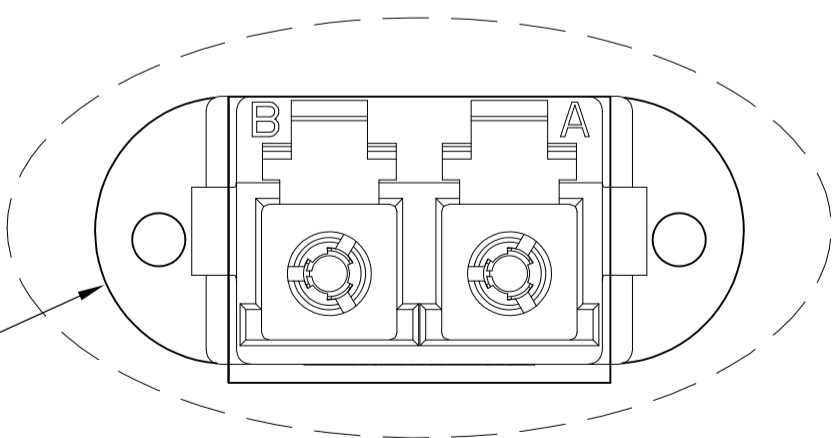


SEE DETAIL C

CASSETTE TRAY AND LID  
 MATERIAL: ALUMINUM ALLOY  
 FINISH COLOR: BLACK

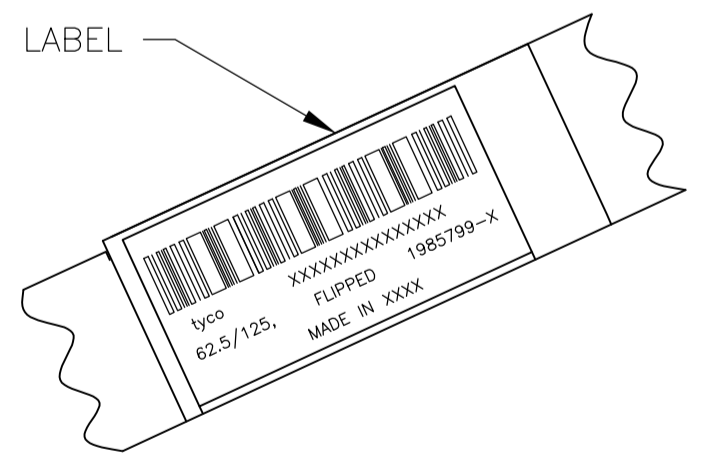
CASSETTE ASSY TRACE LABEL

MPO COUPLING RECEPTACLE  
 COLOR: SEE CHART



LC DUPLEX ADAPTER  
 HOUSING COLOR: SEE CHART  
 6 PLC

DETAIL C  
 TYP. 6 PLC.



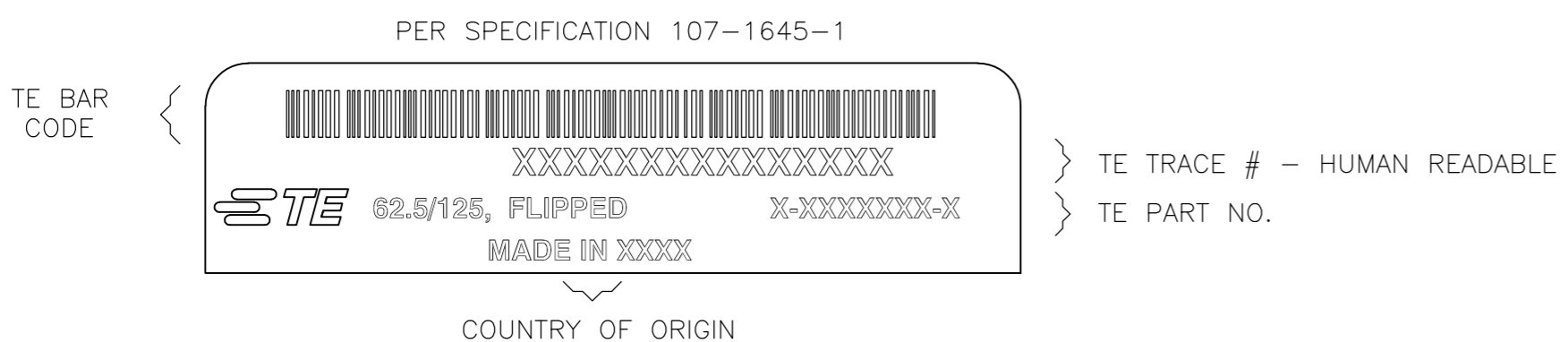
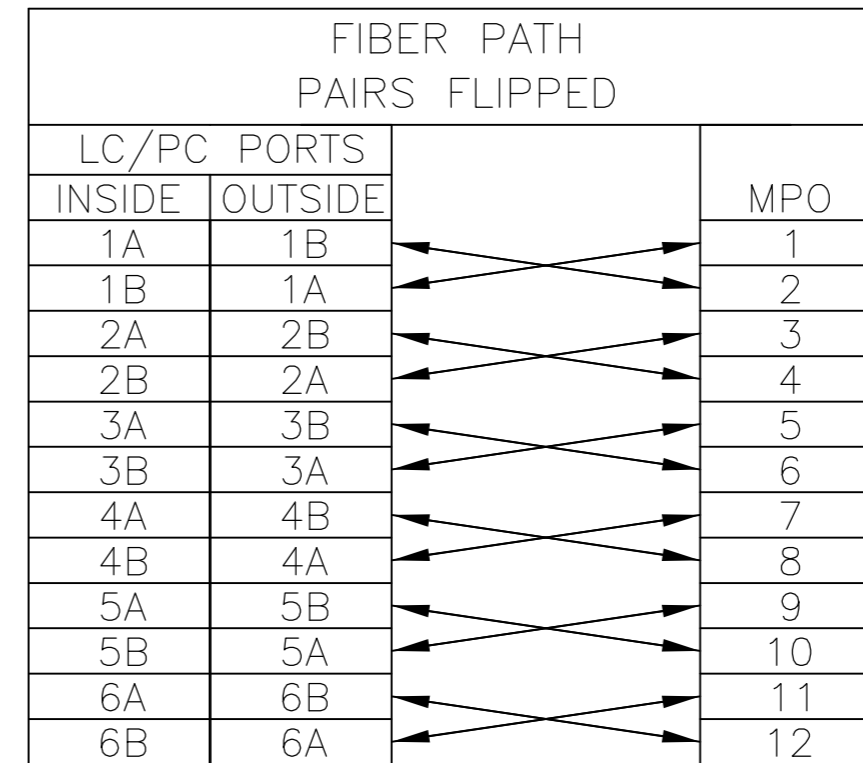
THIS DRAWING IS A CONTROLLED DOCUMENT.		DWN	J. SHIPE	08JUL2011	TE Connectivity
DIMENSIONS:		CHK	J. SHIPE	08JUL2011	
mm		APVD	J. SHIPE	08JUL2011	
TOLERANCES UNLESS OTHERWISE SPECIFIED: 0 PLC ± - 1 PLC ± - 2 PLC ± - 3 PLC ± - 4 PLC ± - ANGLES ± ± - FINISH -		PRODUCT SPEC	NAME		
MATERIAL	-	WEIGHT	-	CASSSETTE, 6 PORT, 62.5/125um, MPO TO LC, PAIRS FLIPPED	
-		CUSTOMER DRAWING		SCALE	N/A
-		-		SIZE	A2
-		-		CAGE CODE	00779
-		-		DRAWING NO	1985799
-		-		RESTRICTED TO	-
-		-		SHEET	1 OF 2
-		-		REV	B

1985799

THIS DRAWING IS UNPUBLISHED. RELEASED FOR PUBLICATION  
 © COPYRIGHT - By - ALL RIGHTS RESERVED.

LOC	DIST	REVISIONS			
P	LTR	DESCRIPTION	DATE	DWN	APVD
HP	00	SEE SHEET 1	-	-	-

1. MAXIMUM CABLE ASSEMBLY INSERTION LOSS IS 1.25dB WHEN TESTED AT 1300nm.
2. PRODUCT AND PROCESSING MUST MEET REQUIREMENTS OF TE STANDARD TEC-138-702
3. WHITE MARKING ON MPO TO BE FACING TOWARD TOP OF CONNECTOR MODULE. WHITE MARK INDICATES FIBER 1 SIDE
4. SEE TRACE LABEL DETAIL
5. A COPY OF CASSETTE ASSEMBLY LOSS TEST DATA WILL BE PLACED INSIDE OR WITH THE UNIT PACKAGE. CASSETTES WILL BE TESTED AT 1300nm WAVELENGTH.



4 TRACE LABEL DETAIL

BLACK STANDARD	AQUA SECURE	1-1985799-1
BLACK STANDARD	SLATE SECURE	1-1985799-0
BLACK STANDARD	ROSE SECURE	1985799-9
BLACK STANDARD	VIOLET SECURE	1985799-8
BLACK STANDARD	BROWN SECURE	1985799-7
BLACK STANDARD	ORANGE SECURE	1985799-6
BLACK STANDARD	YELLOW SECURE	1985799-5
BLACK STANDARD	BLUE SECURE	1985799-4
BLACK STANDARD	GREEN SECURE	1985799-3
BLACK STANDARD	RED SECURE	1985799-2
BLACK STANDARD	BEIGE STANDARD	1985799-1
MPO COUPLING BUSHING COLOR & TYPE	LC ADAPTER COLOR & TYPE	PART NUMBER

THIS DRAWING IS A CONTROLLED DOCUMENT.		DWN J. SHIPE 08JUL2011	<b>STE</b> TE Connectivity	
DIMENSIONS: mm		CHK J. SHIPE 08JUL2011		
TOLERANCES UNLESS OTHERWISE SPECIFIED:		APVD J. SHIPE 08JUL2011	NAME CASSETTE, 6 PORT, 62.5/125um, MPO TO LC, PAIRS FLIPPED	
0 PLC ± - 1 PLC ± - 2 PLC ± - 3 PLC ± - 4 PLC ± - ANGLES ± -		PRODUCT SPEC -		
MATERIAL	FINISH	WEIGHT	SIZE A2	CAGE CODE 00779
-	-	-	DRAWING NO C=1985799	RESTRICTED TO -
CUSTOMER DRAWING			SCALE NTS	SHEET 2 of 2

1985799