



Chipsmall Limited consists of a professional team with an average of over 10 year of expertise in the distribution of electronic components. Based in Hongkong, we have already established firm and mutual-benefit business relationships with customers from,Europe,America and south Asia,supplying obsolete and hard-to-find components to meet their specific needs.

With the principle of "Quality Parts,Customers Priority,Honest Operation,and Considerate Service",our business mainly focus on the distribution of electronic components. Line cards we deal with include Microchip,ALPS,ROHM,Xilinx,Pulse,ON,Everlight and Freescale. Main products comprise IC,Modules,Potentiometer,IC Socket,Relay,Connector.Our parts cover such applications as commercial,industrial, and automotives areas.

We are looking forward to setting up business relationship with you and hope to provide you with the best service and solution. Let us make a better world for our industry!



## Contact us

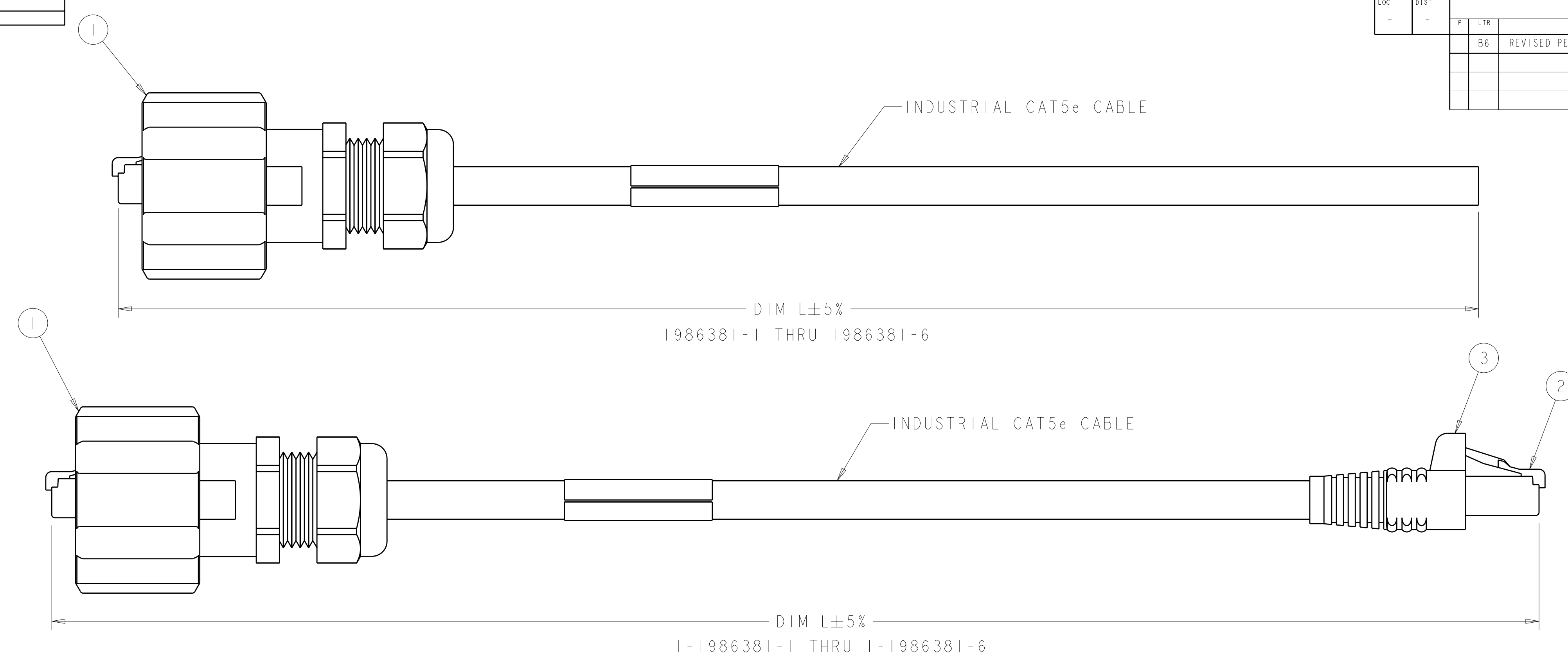
Tel: +86-755-8981 8866 Fax: +86-755-8427 6832

Email & Skype: info@chipsmall.com Web: www.chipsmall.com

Address: A1208, Overseas Decoration Building, #122 Zhenhua RD., Futian, Shenzhen, China



LOC	DIST	REV	DATE	BY	CHKD	APVD
-	-	B6	18MAR2011	RK	HMR	



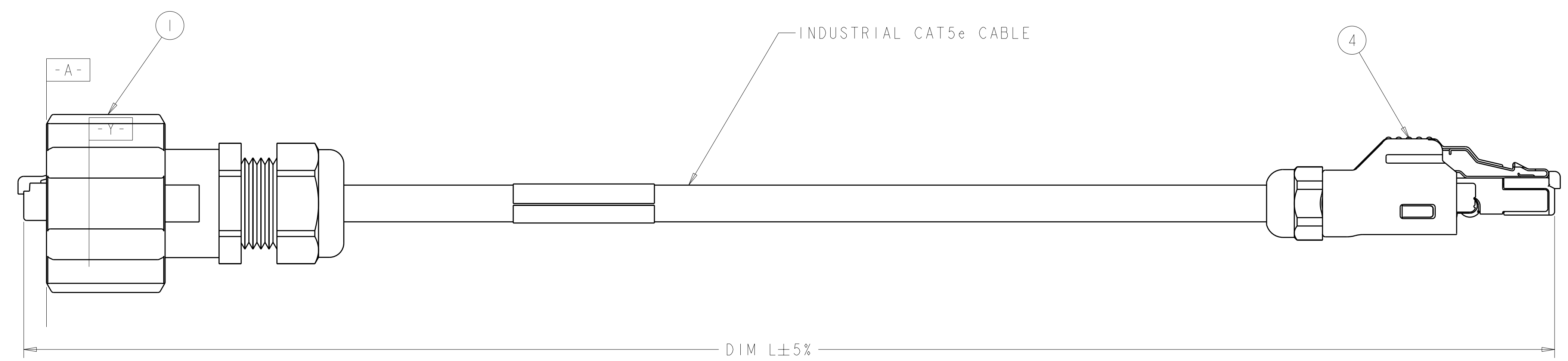
6.0	-	-	-	2	4-1986381-3				
4.0	-	-	-	2	4-1986381-2				
18.0	-	-	-	2	4-1986381-1				
14.0	-	-	-	2	4-1986381-0				
11.0	-	-	-	2	3-1986381-9				
9.0	-	-	-	2	3-1986381-8				
8.0	-	-	-	2	3-1986381-7				
20.0	-	-	-	2	3-1986381-6				
15.0	-	-	-	2	3-1986381-5				
10.0	-	-	-	2	3-1986381-4				
7.0	-	-	-	2	3-1986381-3				
5.0	-	-	-	2	3-1986381-2				
3.0	-	-	-	2	3-1986381-1				
1.0		-	-	1	2-1986381-7				
20.0		-	-	1	2-1986381-6				
15.0		-	-	1	2-1986381-5				
10.0		-	-	1	2-1986381-4				
7.0		-	-	1	2-1986381-3				
5.0		-	-	1	2-1986381-2				
3.0		-	-	1	2-1986381-1				
1.0	-		-	1	1-1986381-7				
20.0	-		-	1	1-1986381-6				
15.0	-		-	1	1-1986381-5				
10.0	-		-	1	1-1986381-4				
7.0	-		-	1	1-1986381-3				
5.0	-		-	1	1-1986381-2				
3.0	-		-	1	1-1986381-1				
1.0	-	-	-	1	1986381-7				
20.0	-	-	-	1	1986381-6				
15.0	-	-	-	1	1986381-5				
10.0	-	-	-	1	1986381-4				
7.0	-	-	-	1	1986381-3				
5.0	-	-	-	1	1986381-2				
3.0	-	-	-	1	1986381-1				
DIM L	④	△ IP 20 FIELD PLUG 1903527-1	③	MOD PLUG BOOT	②	CAT5e MOD PLUG	①	INDUSTRIAL PLUG KIT	PART NUMBER

△ FIELD TERMINATABLE PLUG IS PACKAGED LOOSE WITH -21 THRU -26.  
 2. WIRED TO T568B STANDARD.

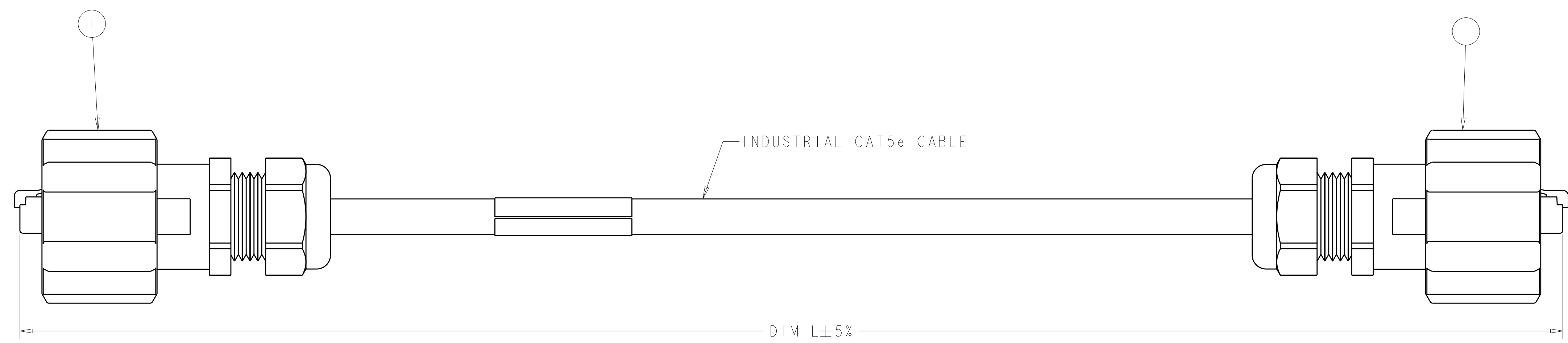
THIS DRAWING IS A CONTROLLED DOCUMENT.

DIMENSIONS:	TOLERANCES UNLESS OTHERWISE SPECIFIED:	DWN S. SCHLEGEL 22APR2008	CHK M. STRECKEWALD 22APR2008	APVD M. STRECKEWALD 22APR2008
mm	0 PLC ±0.5 1 PLC ±0.13 5 PLC ±0.013 4 PLC ±0.001	TE Connectivity NAME CAT 5e INDUSTRIAL ETHERNET CORDSET, STRANDED ODVNA VARAINT 1		
MATERIAL	FINISH	PRODUCT SPEC	APPLICATION SPEC	WEIGHT
CUSTOMER DRAWING		SIZE A100779	CAGE CODE C=1986381	RESTRICTED TO
		SCALE 1:1	SHEET 1 OF 2	REV B6

LOC		DIST		REVISIONS			
P	LTB	DESCRIPTION	DATE	DWN	APVD		
-	-	SEE SHEET 1	-	-	-		



2-1986381-1 THRU 2-1986381-6



3-1986381-1 THRU 4-1986381-3

THIS DRAWING IS A CONTROLLED DOCUMENT.		DWN	S. SCHLEGEL	22APR2008	TE Connectivity NAME CAT 5e INDUSTRIAL ETHERNET CORDSET, STRANDED ODVNA VARAINT 1
DIMENSIONS:		CHK	M. STRECKEWALD	22APR2008	
mm		APVD	M. STRECKEWALD	22APR2008	
0 PLC ±.5 1 PLC ±0.5 2 PLC ±0.13 3 PLC ±0.013 4 PLC ±0.001 ANGLES ±.0001		PRODUCT SPEC		SIZE	
MATERIAL		APPLICATION SPEC		CAGE CODE	DRAWING NO
FINISH		WEIGHT		A100779	C=1986381
CUSTOMER DRAWING		SCALE		2:1	SHEET 2 OF 2
		REV		B6	