



Chipsmall Limited consists of a professional team with an average of over 10 year of expertise in the distribution of electronic components. Based in Hongkong, we have already established firm and mutual-benefit business relationships with customers from,Europe,America and south Asia,supplying obsolete and hard-to-find components to meet their specific needs.

With the principle of “Quality Parts,Customers Priority,Honest Operation,and Considerate Service”,our business mainly focus on the distribution of electronic components. Line cards we deal with include Microchip,ALPS,ROHM,Xilinx,Pulse,ON,Everlight and Freescale. Main products comprise IC,Modules,Potentiometer,IC Socket,Relay,Connector.Our parts cover such applications as commercial,industrial, and automotives areas.

We are looking forward to setting up business relationship with you and hope to provide you with the best service and solution. Let us make a better world for our industry!



## Contact us

Tel: +86-755-8981 8866 Fax: +86-755-8427 6832

Email & Skype: info@chipsmall.com Web: www.chipsmall.com

Address: A1208, Overseas Decoration Building, #122 Zhenhua RD., Futian, Shenzhen, China



THIS DRAWING IS UNPUBLISHED.

RELEASED FOR PUBLICATION

ALL RIGHTS RESERVED.

© COPYRIGHT - By -

LOC FT DIST 0

REVISIONS

P	LTR	DESCRIPTION	DATE	DWN	APVD
	A2	PCB LAYOUT ADDED	24AUG2015	SS	PS

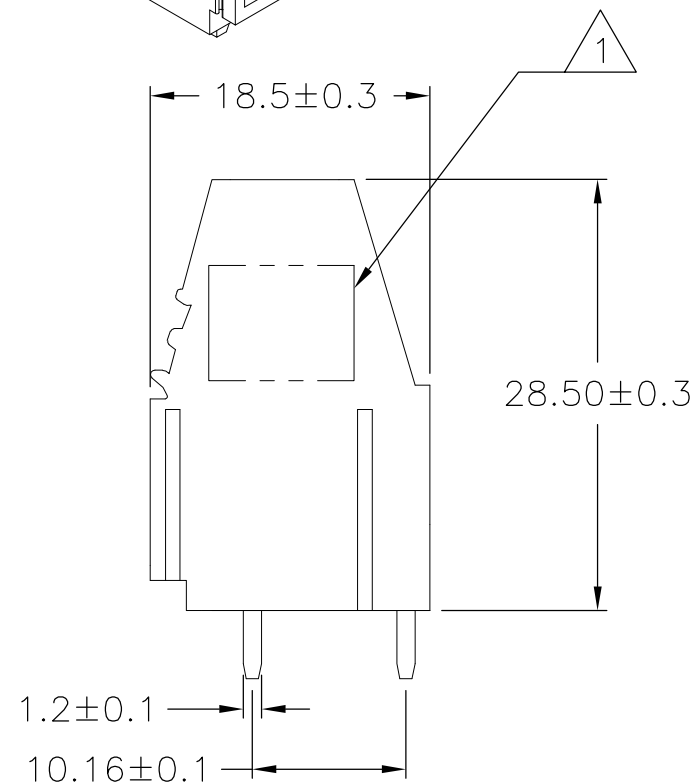
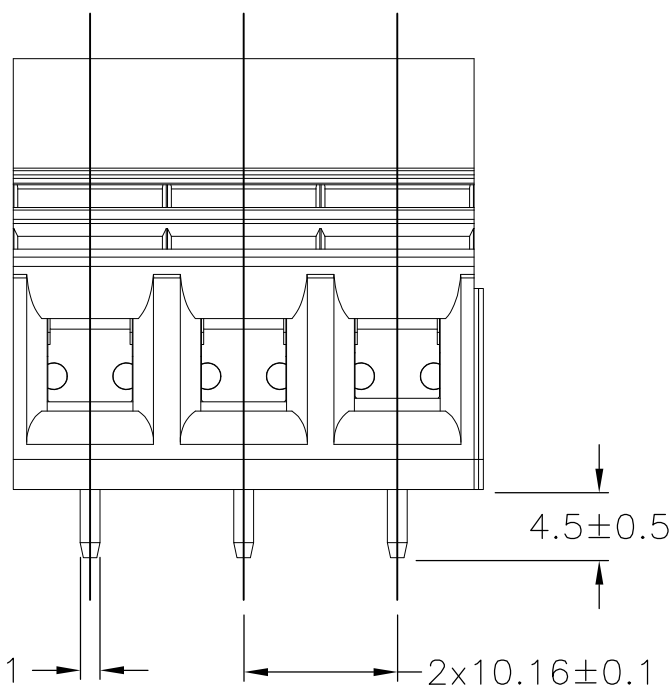
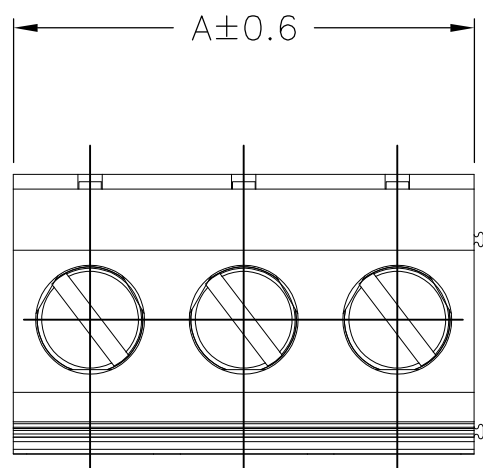
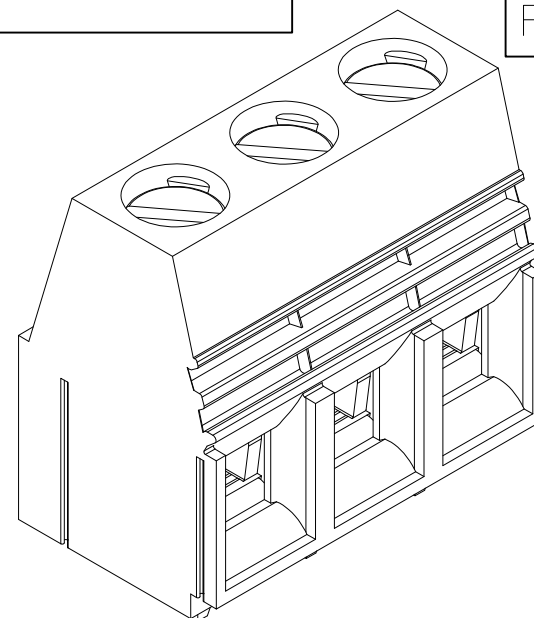
MATERIAL:  
 HOUSING: PA66, UL94V-0,  
 COLOR: SEE TABLE  
 PIN: BRASS, TIN PLATED  
 WIRE GUARD: BRASS, NICKEL PLATED  
 SCREWS: M4, STEEL, ZINC PLATED

ELECTRICAL:  
 VOLTAGE RATING: 300V  
 CURRENT RATING: 65A  
 INSULATION RESISTANCE: 2000Mohm/500V  
 WITHSTANDING VOLTAGE: AC2000V/1 MIN  
 WIRE RANGE: 26-6 AWG

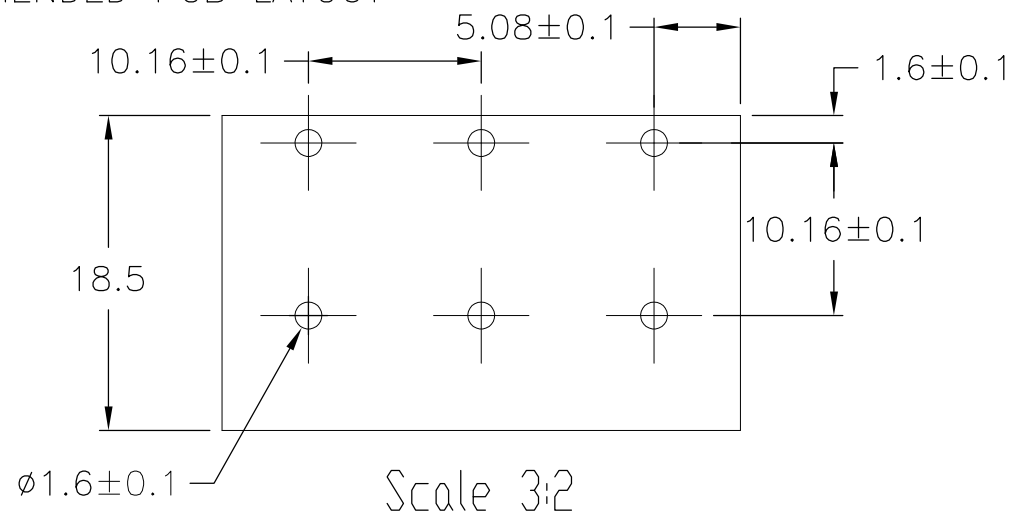
MECHANICAL:  
 WORKING TEMP.: -40°C TO +105°C  
 MAX SOLDERING: +250°C FOR 5 SEC.  
 TIGHTENING TORQUE: 20.5 IN-LB

1 TE LOGO AND COUNTRY OF ORIGIN AND T CODE, LOCATED IN APPROXIMATE AREA SHOWN.

2 RECOMMENDED PCB MOUNTING HOLE DIA 1.6



RECOMMENDED PCB LAYOUT



COLOR	DIM A	NO OF POS	PART NUMBER
BLACK	30.48	3	1-1986660-3
BLACK	20.32	2	1-1986660-2
GREEN	30.48	3	1986660-3
GREEN	20.32	2	1986660-2

THIS DRAWING IS A CONTROLLED DOCUMENT.		DWN JR RUTH 27AUG10	<b>STE</b> TE Connectivity	
DIMENSIONS: mm		CHK CATHY RICHARD 27AUG10		
TOLERANCES UNLESS OTHERWISE SPECIFIED:		APVD CATHY RICHARD 27AUG10	NAME	
0 PLC ± -		PRODUCT SPEC		
1 PLC ± 0.3		APPLICATION SPEC		
2 PLC ± 0.25		SIZE		
3 PLC ± -		CAGE CODE		
4 PLC ± -		DRAWING NO		
ANGLES ± ± -		RESTRICTED TO		
MATERIAL		WEIGHT		
FINISH		A3 00779 C-1986660		
		CUSTOMER DRAWING		SCALE 2:1
		SHEET 1 OF 1		REV A2