



Chipsmall Limited consists of a professional team with an average of over 10 year of expertise in the distribution of electronic components. Based in Hongkong, we have already established firm and mutual-benefit business relationships with customers from,Europe,America and south Asia,supplying obsolete and hard-to-find components to meet their specific needs.

With the principle of “Quality Parts,Customers Priority,Honest Operation,and Considerate Service”,our business mainly focus on the distribution of electronic components. Line cards we deal with include Microchip,ALPS,ROHM,Xilinx,Pulse,ON,Everlight and Freescale. Main products comprise IC,Modules,Potentiometer,IC Socket,Relay,Connector.Our parts cover such applications as commercial,industrial, and automotives areas.

We are looking forward to setting up business relationship with you and hope to provide you with the best service and solution. Let us make a better world for our industry!



Contact us

Tel: +86-755-8981 8866 Fax: +86-755-8427 6832

Email & Skype: info@chipsmall.com Web: www.chipsmall.com

Address: A1208, Overseas Decoration Building, #122 Zhenhua RD., Futian, Shenzhen, China



THIS DRAWING IS UNPUBLISHED.

RELEASED FOR PUBLICATION

2011

© COPYRIGHT 2011

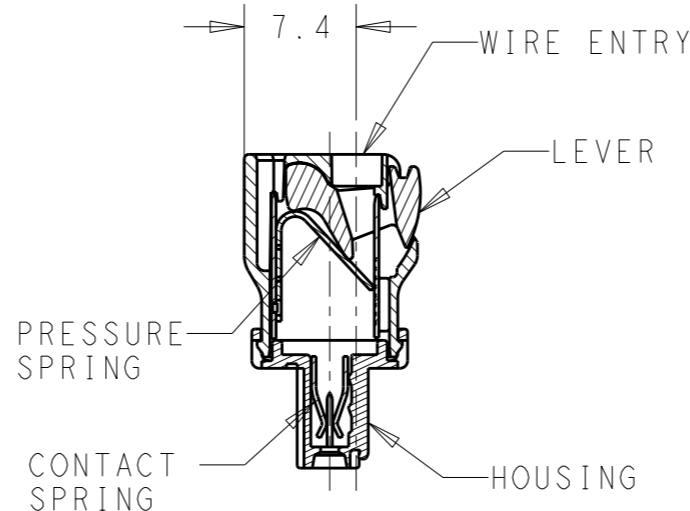
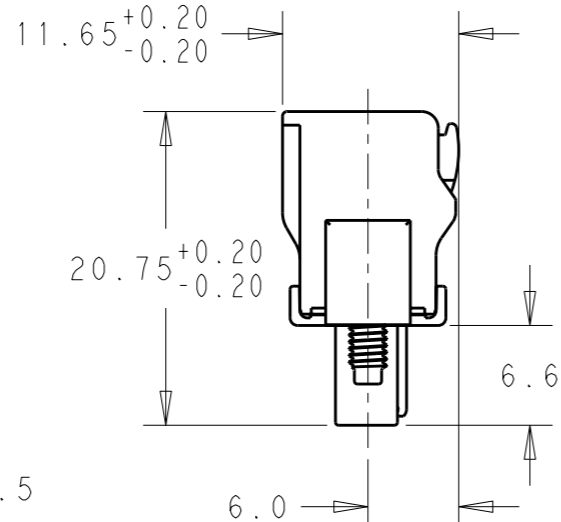
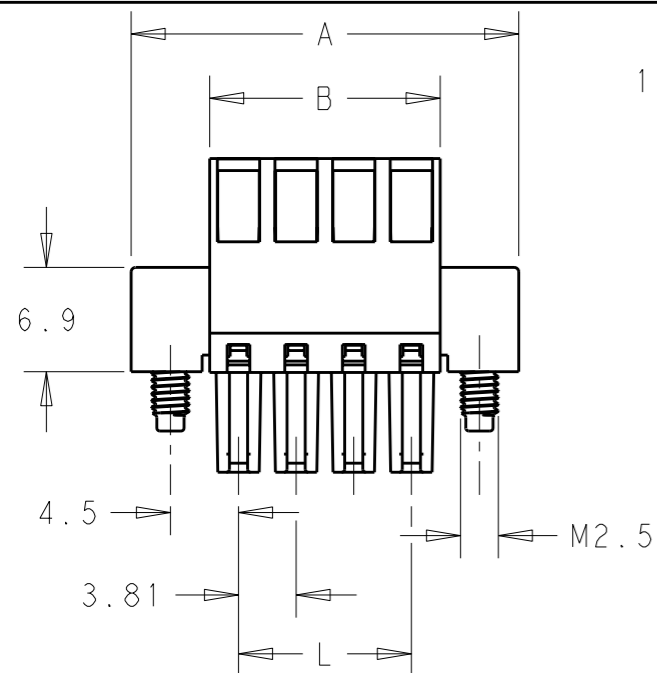
ALL RIGHTS RESERVED.

LOC
AI

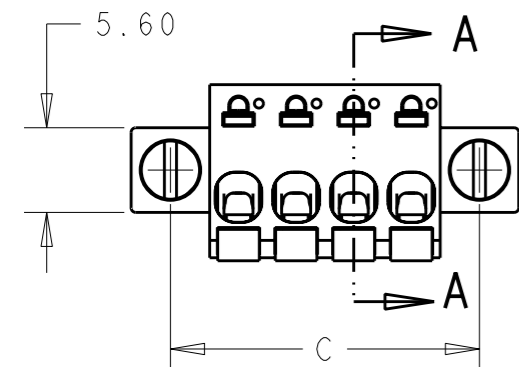
DIST
-

REVISIONS

P	LTR	DESCRIPTION	DATE	DWN	APVD
	A	REVISED PER ECO-12-002880	15FEB12	KH	MS



SECTION A-A

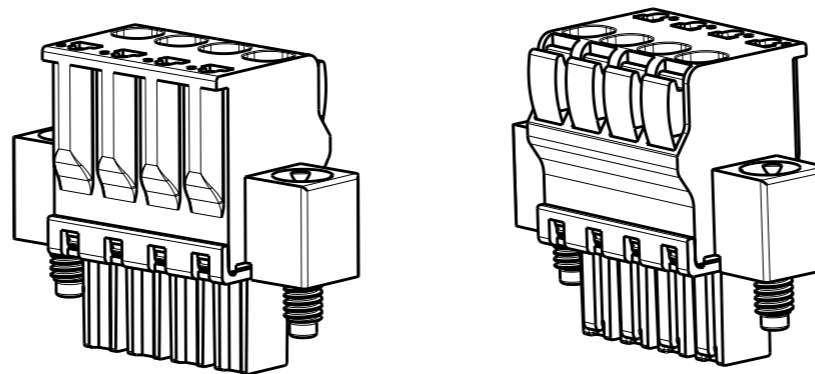


83.82	92.82	98.02	87.64	23	2-1986724-3
80.01	89.01	94.21	83.83	22	2-1986724-2
76.20	85.20	90.40	80.02	21	2-1986724-1
72.39	81.39	86.59	76.21	20	2-1986724-0
68.58	77.58	82.78	72.40	19	1-1986724-9
64.77	73.77	78.97	68.59	18	1-1986724-8
60.96	69.96	75.16	64.78	17	1-1986724-7
57.15	66.15	71.35	60.97	16	1-1986724-6
53.34	62.34	67.54	57.16	15	1-1986724-5
49.53	58.53	63.73	53.35	14	1-1986724-4
45.72	54.72	59.92	49.54	13	1-1986724-3
41.91	50.91	56.11	45.73	12	1-1986724-2
38.10	47.10	52.30	41.92	11	1-1986724-1
34.29	43.29	48.49	38.11	10	1-1986724-0
30.48	39.48	44.68	34.30	9	1986724-9
26.67	35.67	40.87	30.49	8	1986724-8
22.86	31.86	37.06	26.68	7	1986724-7
19.05	28.05	33.25	22.87	6	1986724-6
15.24	24.24	29.44	19.06	5	1986724-5
11.43	20.43	25.63	15.25	4	1986724-4
7.62	16.62	21.82	11.44	3	1986724-3
3.81	12.81	18.01	7.63	2	1986724-2
DIM X	DIM C	DIM A	DIM B	POLE	PART NUMBER

MATERIAL
 HOUSING-POLYAMIDE, COLOR-GREEN
 LEVER-POLYAMIDE, COLOR ORANGE
 CONTACT SPRING-COPPER ALLOY-LEAD FREE TIN PLATED
 CLAMPING SPRING-STEEL

MECHANICAL
 INSERTION FORCE PER POLE- 3 NEWTON MAX
 WITHDRAWAL FORCE PER POLE- 1.5 NEWTON MIN
 STRIPPING LENGTH- 10.5 TO 11.5 MM
 OPERATING TEMPERATURE--40°C TO +110°C

ELECTRICAL
 WIRE SIZE= 30 TO 14 AWG SOLID OR STRANDED
 VOLTAGE RATING- 300 VOLTS
 CURRENT RATING- 11 AMP STRANDED; 9AMP SOLID
 CONTACT RESISTANCE-15 MILLOHM MAX
 INSULATION RESISTANCE-10⁹ OHMS MIN (500V DC)



THIS DRAWING IS A CONTROLLED DOCUMENT.

DWN 13JAN2012

KIRAN HOLAL

CHK 13JAN2012

MIKE SARVER

APVD 13JAN2012

MIKE SARVER

PRODUCT SPEC

-

APPLICATION SPEC

-

WEIGHT

-

CUSTOMER DRAWING



TE Connectivity

NAME
STRAIGHT SPRING TYPE PLUG CONNECTOR, RIGHT SIDE,
LOCKING W/FLANGES 02 - 23 POLES, PITCH 3.81mm

SIZE CAGE CODE DRAWING NO RESTRICTED TO

A300779 C-1986724

SCALE 2:1 SHEET 1 OF 1 REV A