



Chipsmall Limited consists of a professional team with an average of over 10 year of expertise in the distribution of electronic components. Based in Hongkong, we have already established firm and mutual-benefit business relationships with customers from,Europe,America and south Asia,supplying obsolete and hard-to-find components to meet their specific needs.

With the principle of "Quality Parts,Customers Priority,Honest Operation,and Considerate Service",our business mainly focus on the distribution of electronic components. Line cards we deal with include Microchip,ALPS,ROHM,Xilinx,Pulse,ON,Everlight and Freescale. Main products comprise IC,Modules,Potentiometer,IC Socket,Relay,Connector.Our parts cover such applications as commercial,industrial, and automotives areas.

We are looking forward to setting up business relationship with you and hope to provide you with the best service and solution. Let us make a better world for our industry!



Contact us

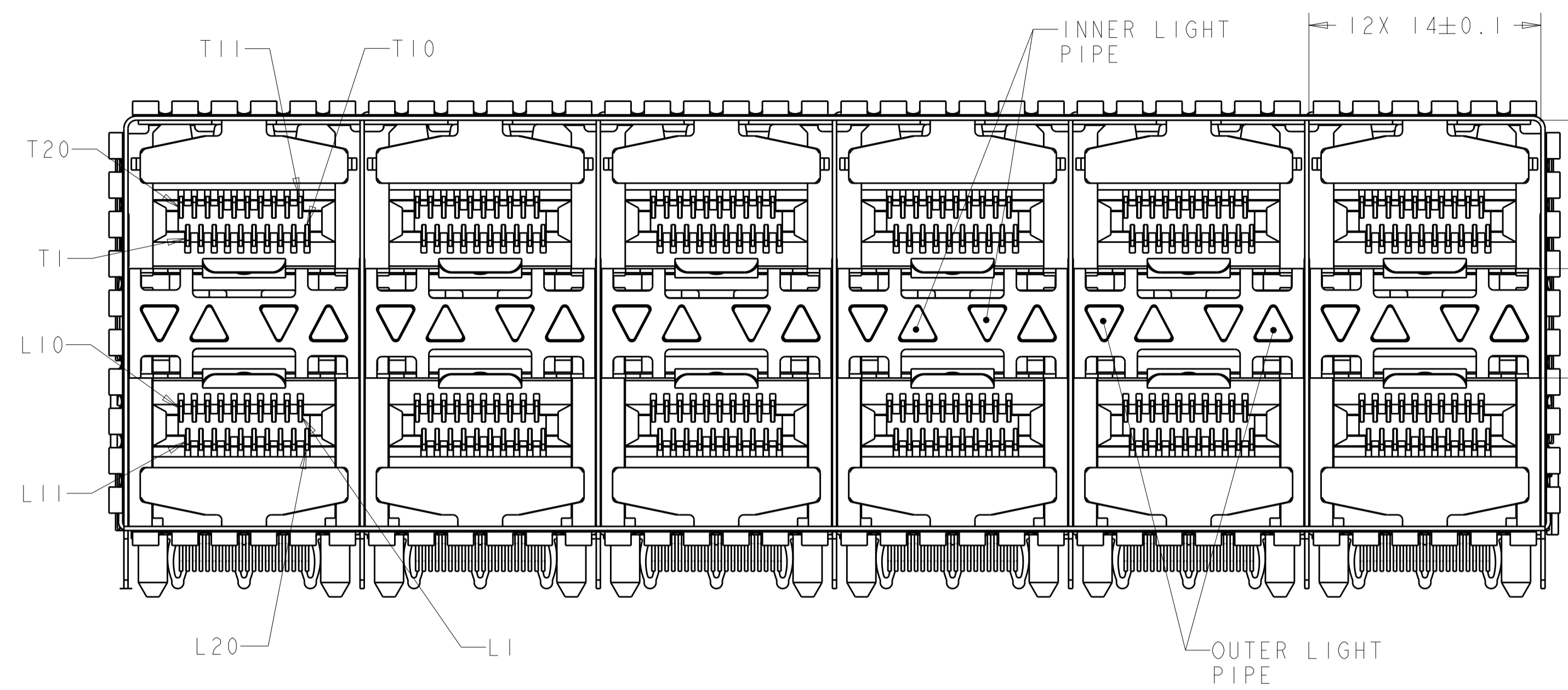
Tel: +86-755-8981 8866 Fax: +86-755-8427 6832

Email & Skype: info@chipsmall.com Web: www.chipsmall.com

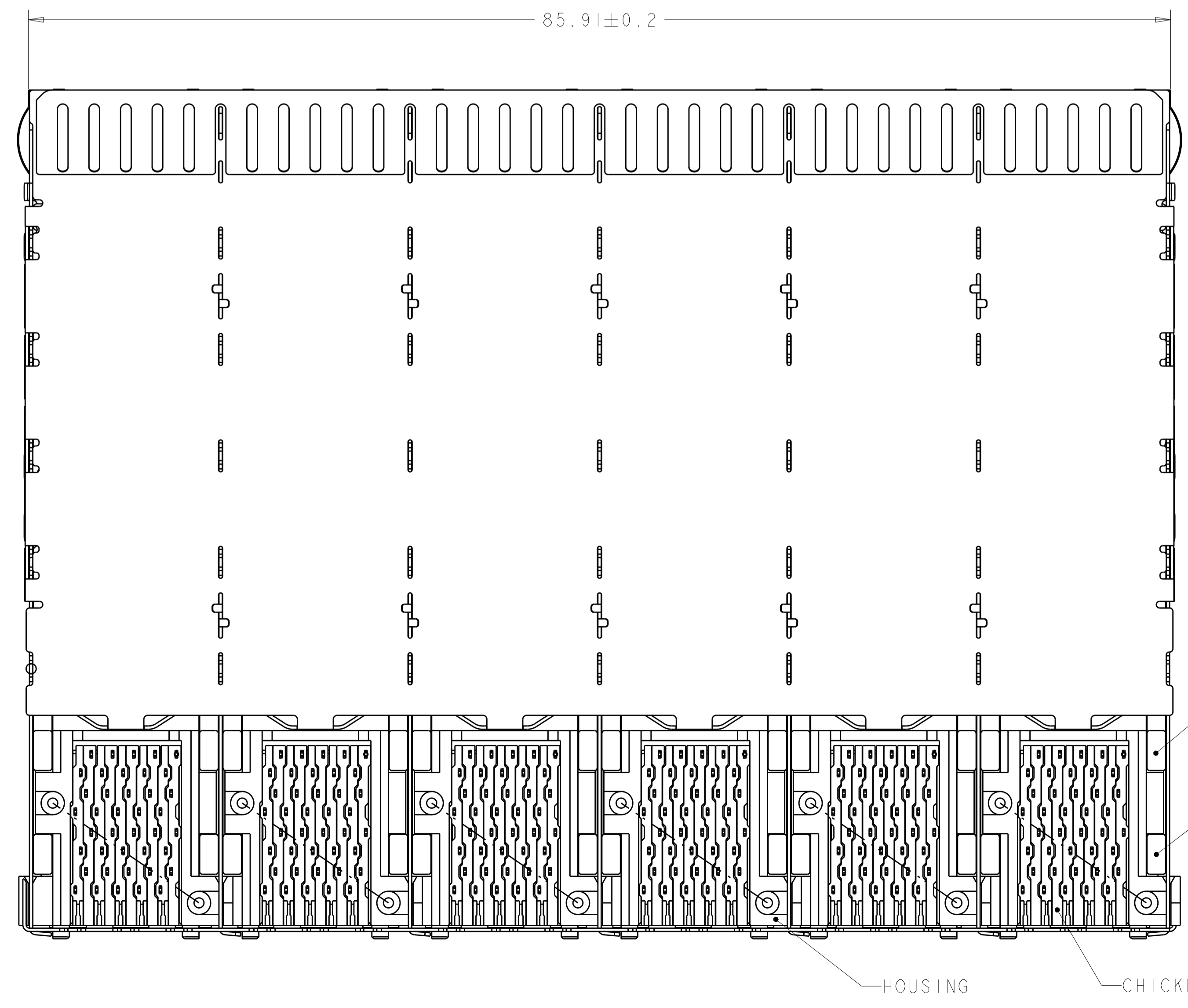
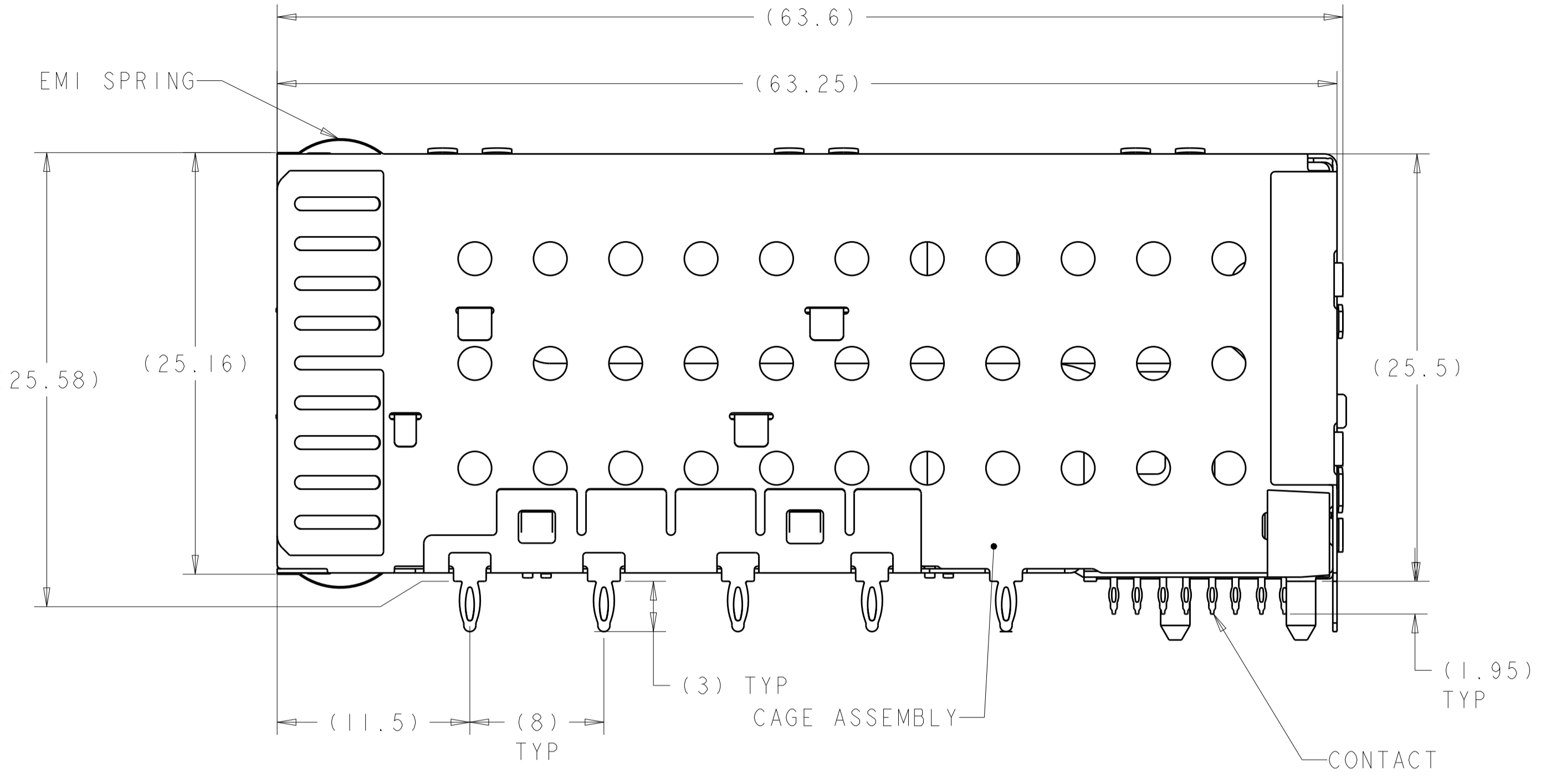
Address: A1208, Overseas Decoration Building, #122 Zhenhua RD., Futian, Shenzhen, China



LOC		DIST		REVISIONS			
GP	00	P	LTN	DESCRIPTION	DATE	DMN	APVD
		D		REVISED PER ECO-15-017919	04APR2016	AP	RP



2007562-5 AS SHOWN



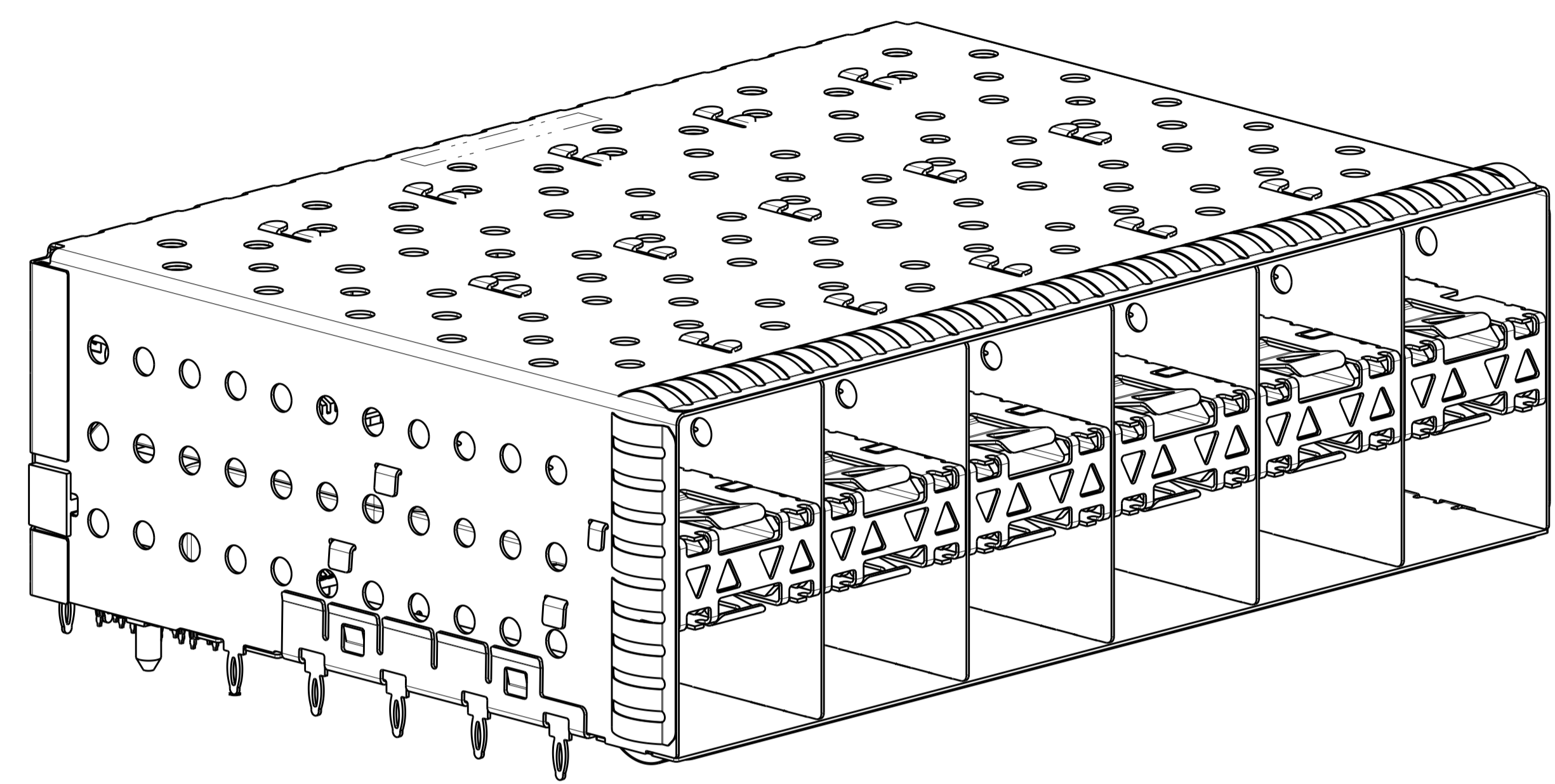
- △ MATERIALS:
 CAGE ASSEMBLY- NICKEL SILVER ALLOY PER ASTM B 122.
 EMI SPRING- COPPER ALLOY.
 HOUSING- BLACK LCP, UL 94V-0 RATED.
 CHICKLET- BLACK LCP, UL 94V-0 RATED.
 LIGHT PIPE- POLYCARBONATE, CLEAR.
 INSERT- LCP, BLACK, UL 94V-0.
 CONTACT- COPPER ALLOY.
- △ DATUM AND BASIC DIMENSIONS ESTABLISHED BY CUSTOMER.
- 3. MINIMUM PCB THICKNESS OF 1.5.
- △ CONTACT FINISH- CONFORMS TO THE REQUIREMENTS OF TYCO ELECTRONICS PRODUCT SPECIFICATION 108-2331, BASED ON EIA/ECA-364-1000.01A, (CONTROLLED ENVIRONMENT APPLICATIONS) ON MATING INTERFACE, TIN-LEAD ON NEEDLE EYE.
- △ CONTACT FINISH- CONFORMS TO THE REQUIREMENTS OF TYCO ELECTRONICS PRODUCT SPECIFICATION 108-2331 BASED ON EIA/ECA-364-1000.01A, (CONTROLLED ENVIRONMENT APPLICATIONS) ON MATING INTERFACE, TIN ON NEEDLE EYE.

- △ FOR HOLE SIZE AND PLATINGS, SEE APPLICATION SPEC 114-13219.
- △ THE ENTIRE AREA OF THE CONNECTOR FOOTPRINT, INDICATED BY THE DASHED LINE, TO BE CONSIDERED THE KEEPOUT AREA FOR COMPONENTS AND SIGNAL TRACES, TOP SIDE ONLY. TOP SIDE TRACES ALLOWED WITHIN CONNECTOR HOLE PATTERN.
- △ LIGHT PIPE PAD LAYOUT IS FOR 0805 LOW PROFILE LED PACKAGE WITH A HEIGHT OF 0.8mm.
- △ EMI SPRING FINISH: 0.8µm MINIMUM MATTE TIN OVER 0.8µm MINIMUM NICKEL, NONPLATED EDGES PERMISSIBLE.
- △ ADDITIONAL COMPONENT LOCATED WITHIN LATCH PLATE FOR EMI SUPPRESSION.

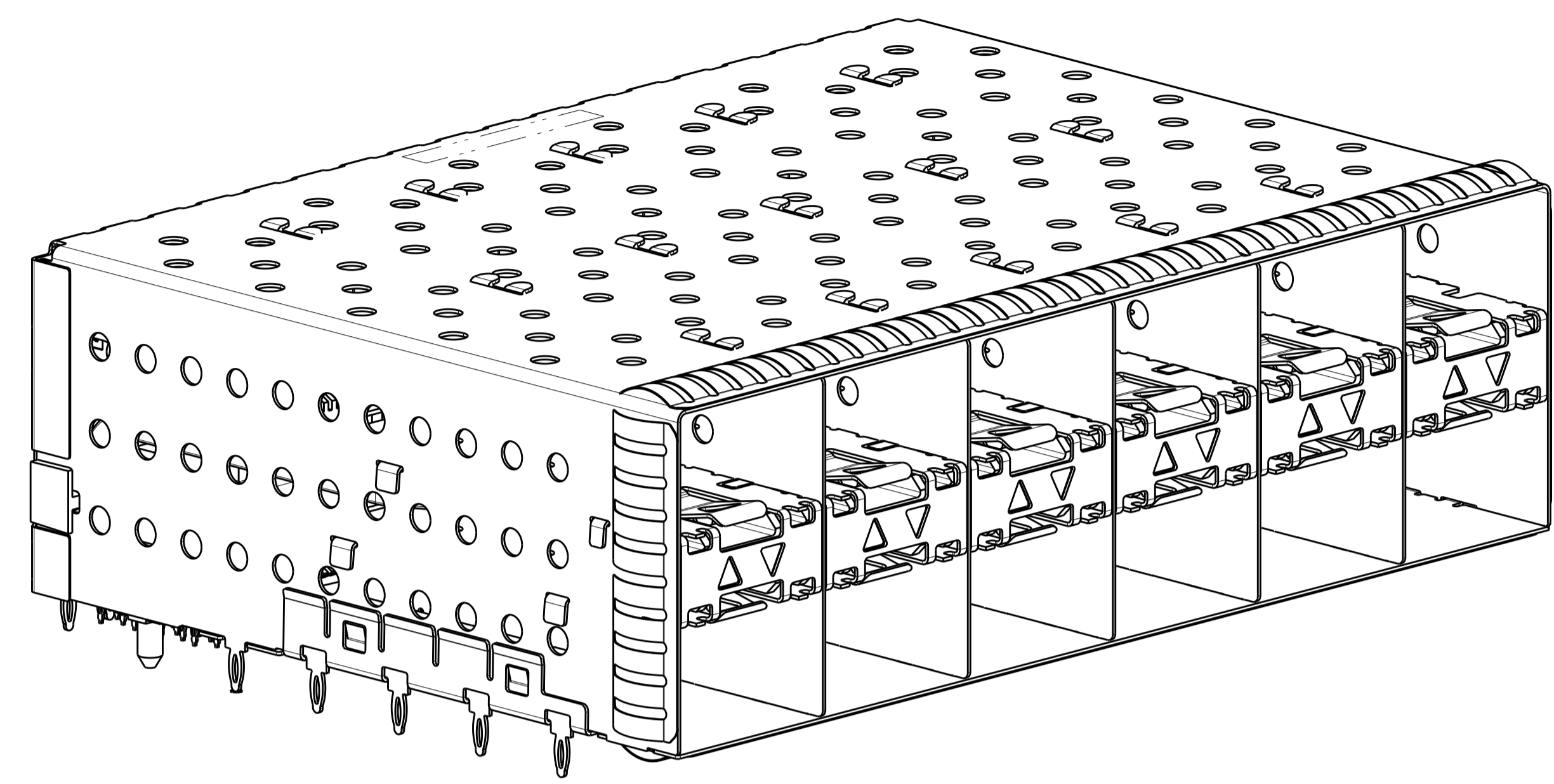
ENHANCED EMI	FINISH	DESCRIPTION	PART NUMBER
YES ¹⁰	△	NO LIGHT PIPES	1-2007562-8
		OUTER 2 LIGHT PIPES	1-2007562-7
		INNER 2 LIGHT PIPES	1-2007562-6
		4 LIGHT PIPES	1-2007562-5
NO	△	NO LIGHT PIPES	2007562-8
		OUTER 2 LIGHT PIPES	2007562-7
		INNER 2 LIGHT PIPES	2007562-6
SUPERSEDED	NO	4 LIGHT PIPES	2007562-5
		NO LIGHT LIGHT PIPES	2007562-4
		OUTER 2 LIGHT PIPES	2007562-3
		INNER 2 LIGHT PIPES	2007562-2
		4 LIGHT PIPES	2007562-1

THIS DRAWING IS A CONTROLLED DOCUMENT. DIMENSIONING AND TOLERANCING PER ASME Y14.5M-2009.		DMN: M. SHIRK 14JAN2008	TE Connectivity
DIMENSIONS: mm		CHK: D. SZCZESNY 14JAN2008	
TOLERANCES UNLESS OTHERWISE SPECIFIED:		APVD: D. SZCZESNY 14JAN2008	NAME: CAGE AND PT CONNECTOR ASSEMBLY, WITH EMI SPRINGS, PRESS FIT, 2X6, STACKED SFP+ SIZE: CAGE CODE DRAWING NO: A100779C=2007562 RESTRICTED TO:
0 PLC ±0.10		PRODUCT SPEC: 108-2331	
1 PLC ±0.10		APPLICATION SPEC: 114-13219	
2 PLC ±0.10		WEIGHT: -	
3 PLC ±0.10		CUSTOMER DRAWING	SCALE: 4:1 SHEET 1 OF 4 REV D
4 PLC ±0.10			
ANGLES ±°			
FINISH: 1			
4 5 9			

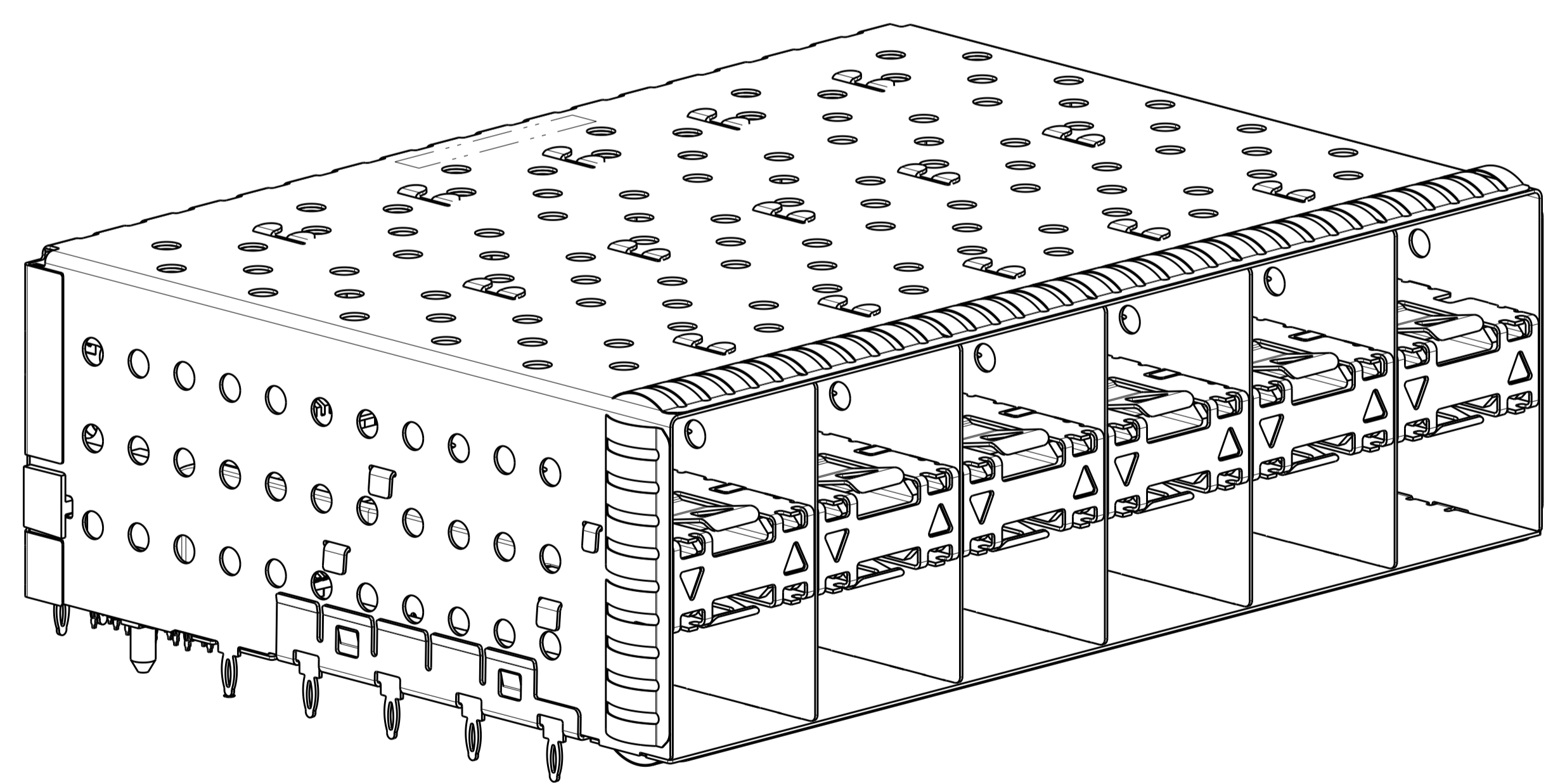
LOC		DIST		REVISIONS			
P	LTN	DESCRIPTION	DATE	DMN	APVD		
-	-	SEE SHEET 1	-	-	-		



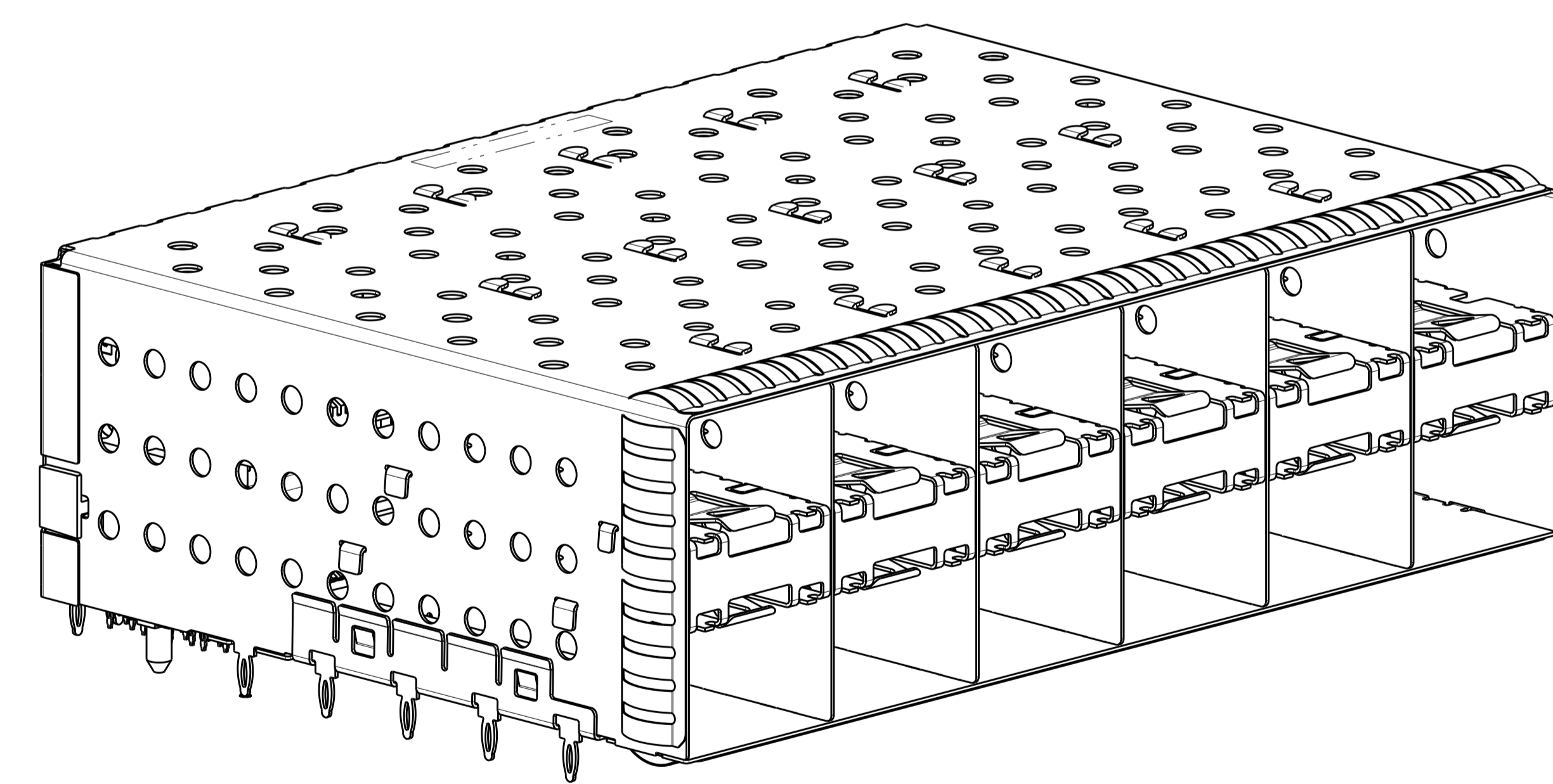
2007562-5 AND 1-2007562-5
 SCALE 3:1



2007562-6 AND 1-2007562-6
 SCALE 3:1



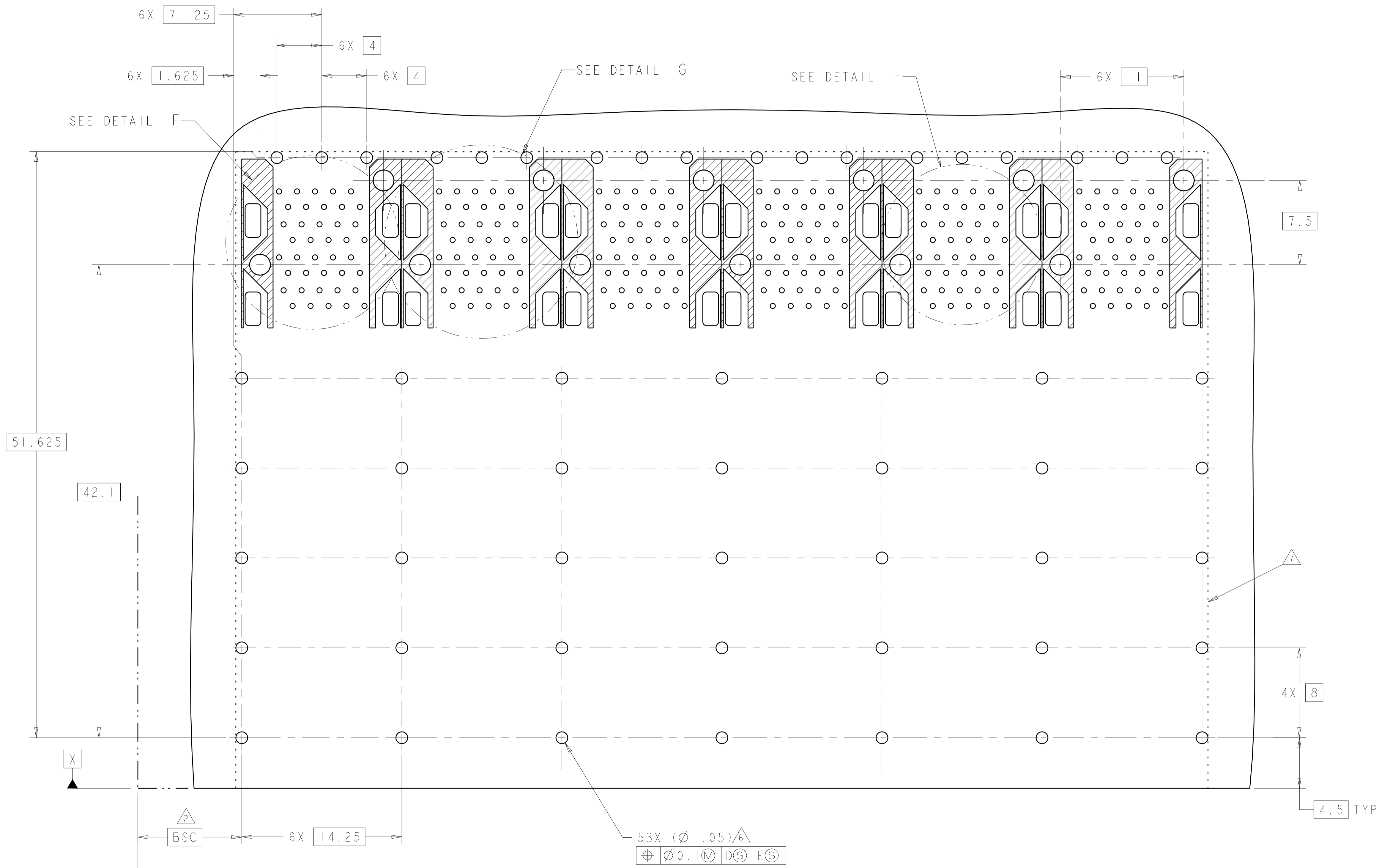
2007562-7 AND 1-2007562-7
 SCALE 3:1



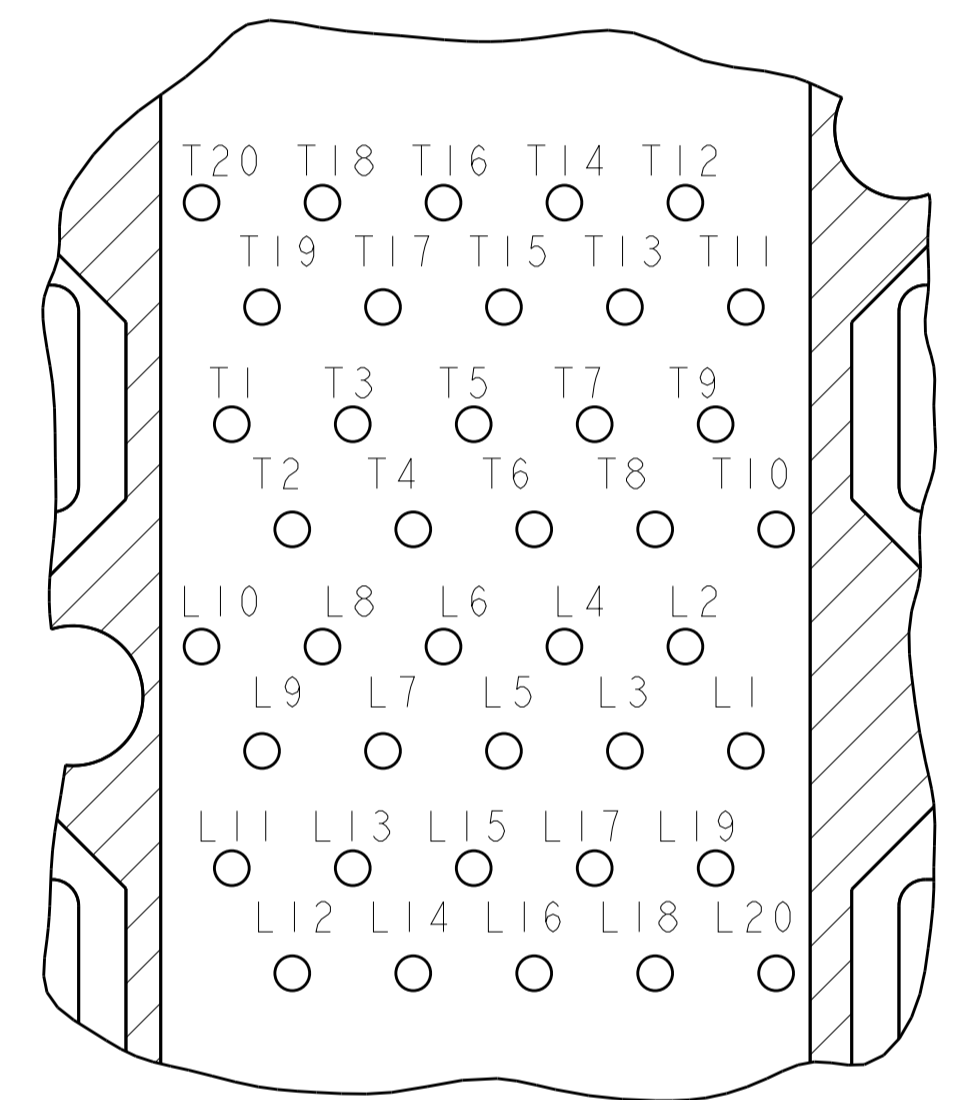
2007562-8 AND 1-2007562-8
 SCALE 3:1

THIS DRAWING IS A CONTROLLED DOCUMENT. DIMENSIONING AND TOLERANCING PER ASME Y14.5M-2009		DMN: M. SHIRK 14JAN2008 CHK: D. SZCZESNY 14JAN2008 APVD: D. SZCZESNY 14JAN2008	TE Connectivity
DIMENSIONS: mm 	TOLERANCES UNLESS OTHERWISE SPECIFIED: 0 PLC ±0.10 1 PLC ±0.10 2 PLC ±0.10 3 PLC ±0.10 4 PLC ±0.10 ANGLES ±°	NAME: CAGE AND PT CONNECTOR ASSEMBLY, WITH EMI SPRINGS, PRESS FIT, 2X6, STACKED SFP+ PRODUCT SPEC: 108-2331 APPLICATION SPEC: 114-13219 WEIGHT: - FINISH: -	
MATERIAL:		CUSTOMER DRAWING	
		SCALE: 4:1	SHEET 2 OF 4 REV D

LOC		DIST		REVISIONS			
P.	LTN	DESCRIPTION	DATE	DWN	APVD		
-	-	SEE SHEET 1	-	-	-		



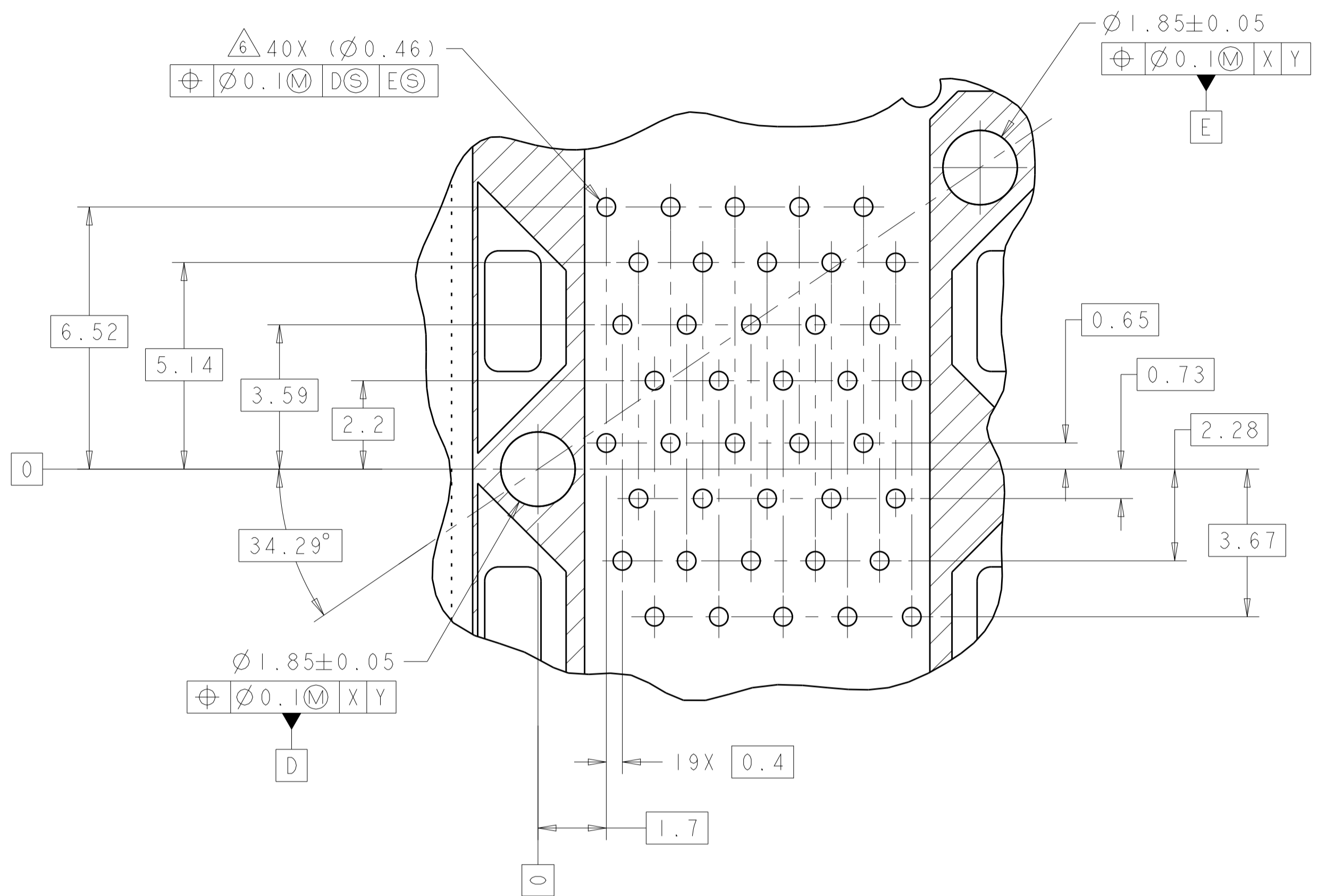
RECOMMENDED PCB LAYOUT
 COMPONENT SIDE OF BOARD
 SCALE 5:1



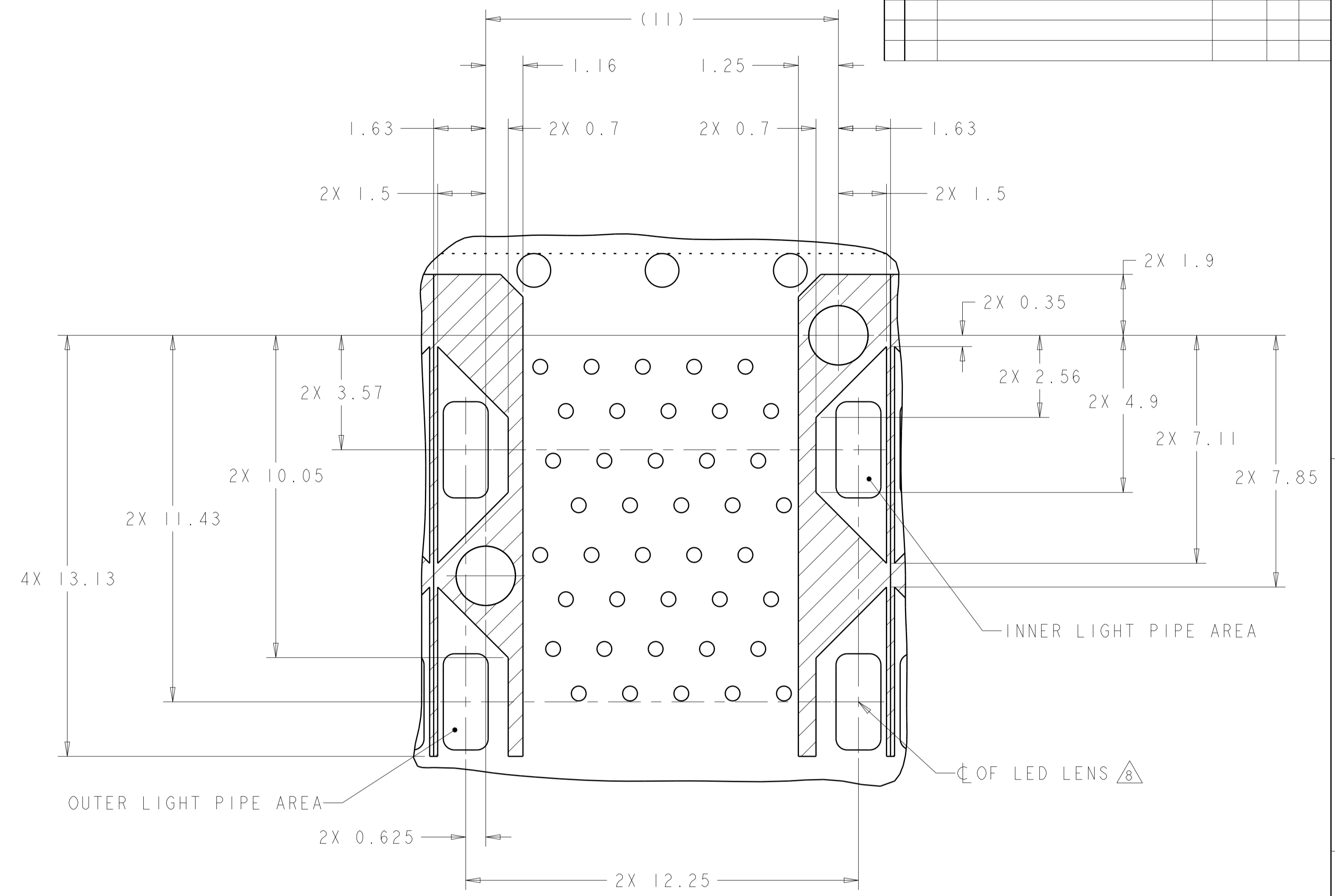
DETAIL H
 CONNECTOR PIN-OUT
 COMPONENT SIDE OF BOARD
 6X INDIVIDUALLY
 SCALE 10:1

THIS DRAWING IS A CONTROLLED DOCUMENT. DIMENSIONING AND TOLERANCING PER ASME Y14.5M-2009.		DWN: M. SHIRK 14JAN2008	TE Connectivity
DIMENSIONS: mm		CHK: D. SZCZESNY 14JAN2008	
TOLERANCES UNLESS OTHERWISE SPECIFIED:		APVD: D. SZCZESNY 14JAN2008	NAME: CAGE AND PT CONNECTOR ASSEMBLY, WITH EMI SPRINGS, PRESS FIT, 2X6, STACKED SFP+ PRODUCT SPEC: 108-2331 APPLICATION SPEC: 114-13219 SIZE: A100779 CAGE CODE: C=2007562 WEIGHT: - CUSTOMER DRAWING
0 PLC ±0.10		RESTRICTED TO:	
1 PLC ±0.10		SCALE: 4:1	
2 PLC ±0.10		SHEET 3 OF 4	
3 PLC ±0.10		REV D	
4 PLC ±0.10			
ANGLES ±°			
FINISH			

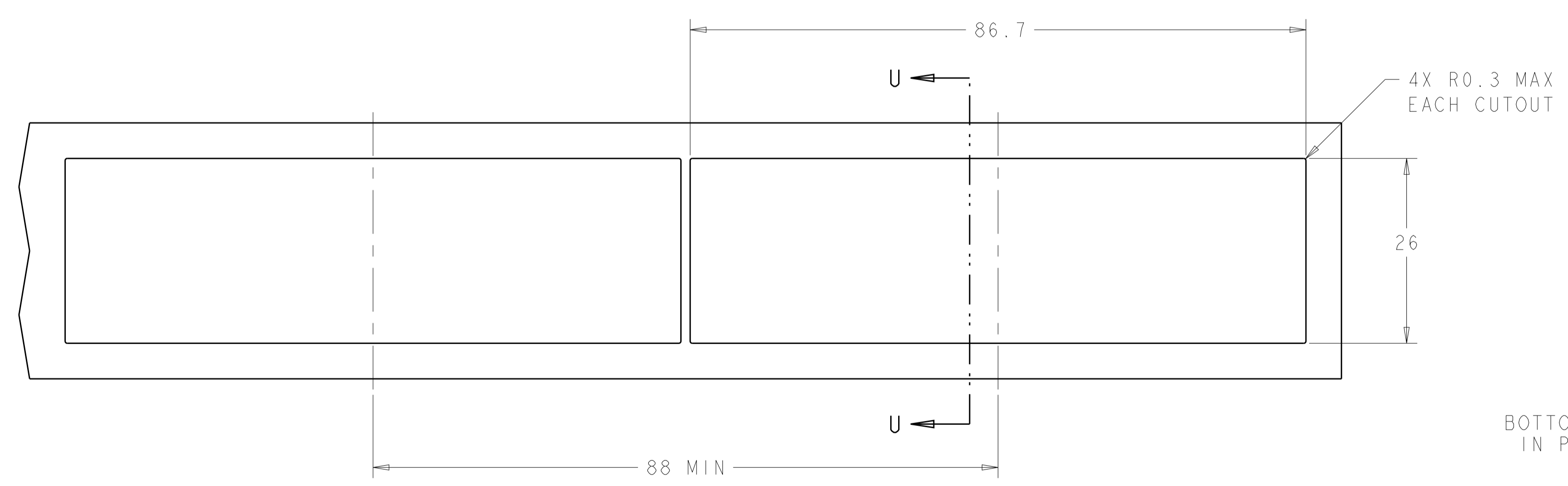
REVISONS		DATE	OWN	APVD
P	LTM			
- SEE SHEET 1		-	-	-



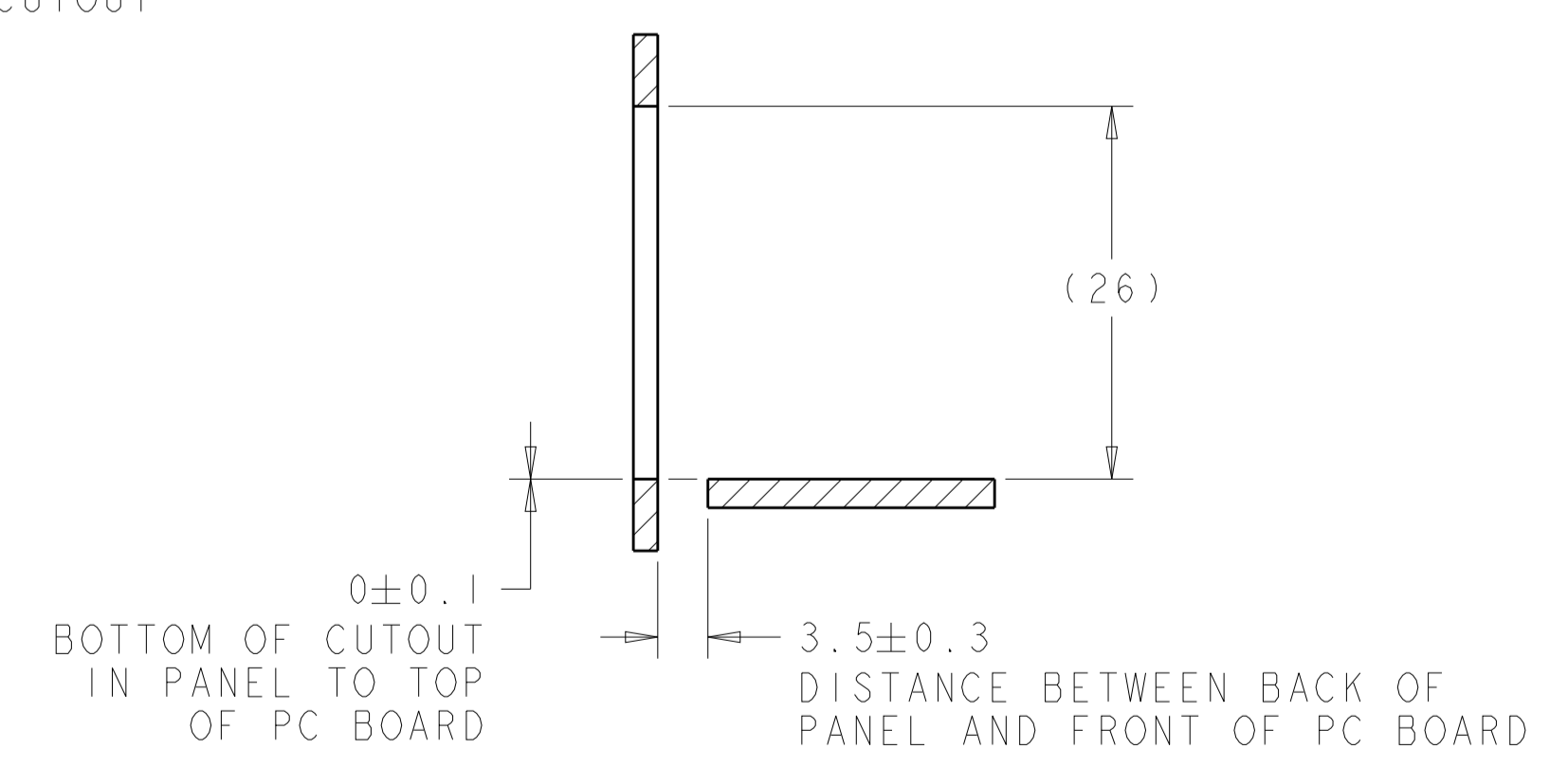
DETAIL F
 6X INDIVIDUALLY
 SCALE 10:1



DETAIL G
 CONNECTOR HOUSING
 KEEPOUT ZONE
 6X INDIVIDUALLY
 SCALE 10:1



RECOMMENDED PANEL CUTOUT
 AND PC BOARD, PANEL POSITION
 SCALE 2:1



SECTION U-U

THIS DRAWING IS A CONTROLLED DOCUMENT. DIMENSIONING AND TOLERANCING PER ASME Y14.5M-2009.		OWN: M. SHIRK 14JAN2008	TE Connectivity
DIMENSIONS: mm		CHK: D. SZCZESNY 14JAN2008	
TOLERANCES UNLESS OTHERWISE SPECIFIED:		APVD: D. SZCZESNY 14JAN2008	NAME: CAGE AND PT CONNECTOR ASSEMBLY, WITH EMI SPRINGS, PRESS FIT, 2X6, STACKED SFP+
0 PLC ±0.10		PRODUCT SPEC: 108-2331	
1 PLC ±0.10		APPLICATION SPEC: 114-13219	SIZE: CAGE CODE DRAWING NO: A100779C=2007562
2 PLC ±0.10		RESTRICTED TO: -	
3 PLC ±0.10		WEIGHT: -	SCALE: 4:1 SHEET 4 OF 4 REV D
4 PLC ±0.10		CUSTOMER DRAWING	
ANGLES: ±°			
FINISH: -			