



Chipsmall Limited consists of a professional team with an average of over 10 year of expertise in the distribution of electronic components. Based in Hongkong, we have already established firm and mutual-benefit business relationships with customers from,Europe,America and south Asia,supplying obsolete and hard-to-find components to meet their specific needs.

With the principle of “Quality Parts,Customers Priority,Honest Operation,and Considerate Service”,our business mainly focus on the distribution of electronic components. Line cards we deal with include Microchip,ALPS,ROHM,Xilinx,Pulse,ON,Everlight and Freescale. Main products comprise IC,Modules,Potentiometer,IC Socket,Relay,Connector.Our parts cover such applications as commercial,industrial, and automotives areas.

We are looking forward to setting up business relationship with you and hope to provide you with the best service and solution. Let us make a better world for our industry!



## Contact us

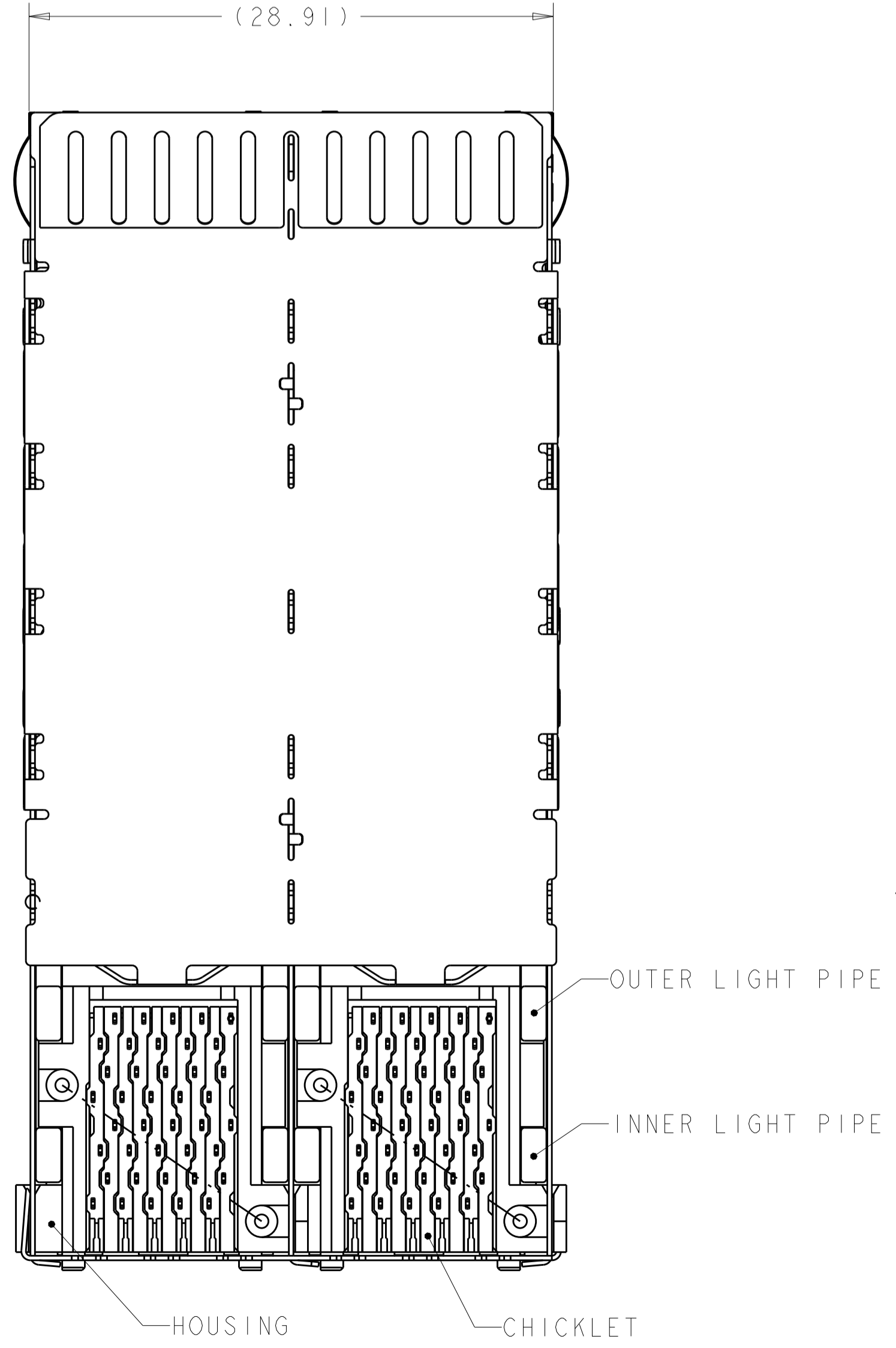
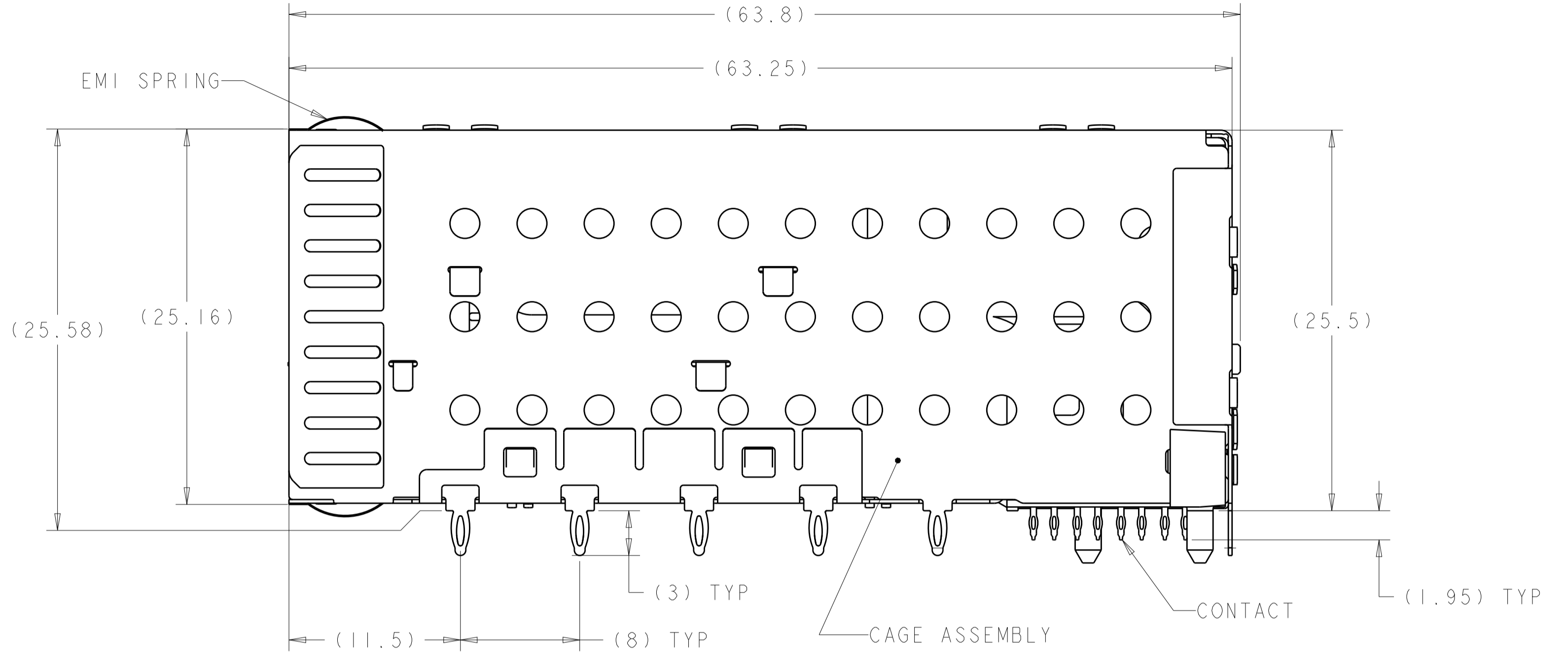
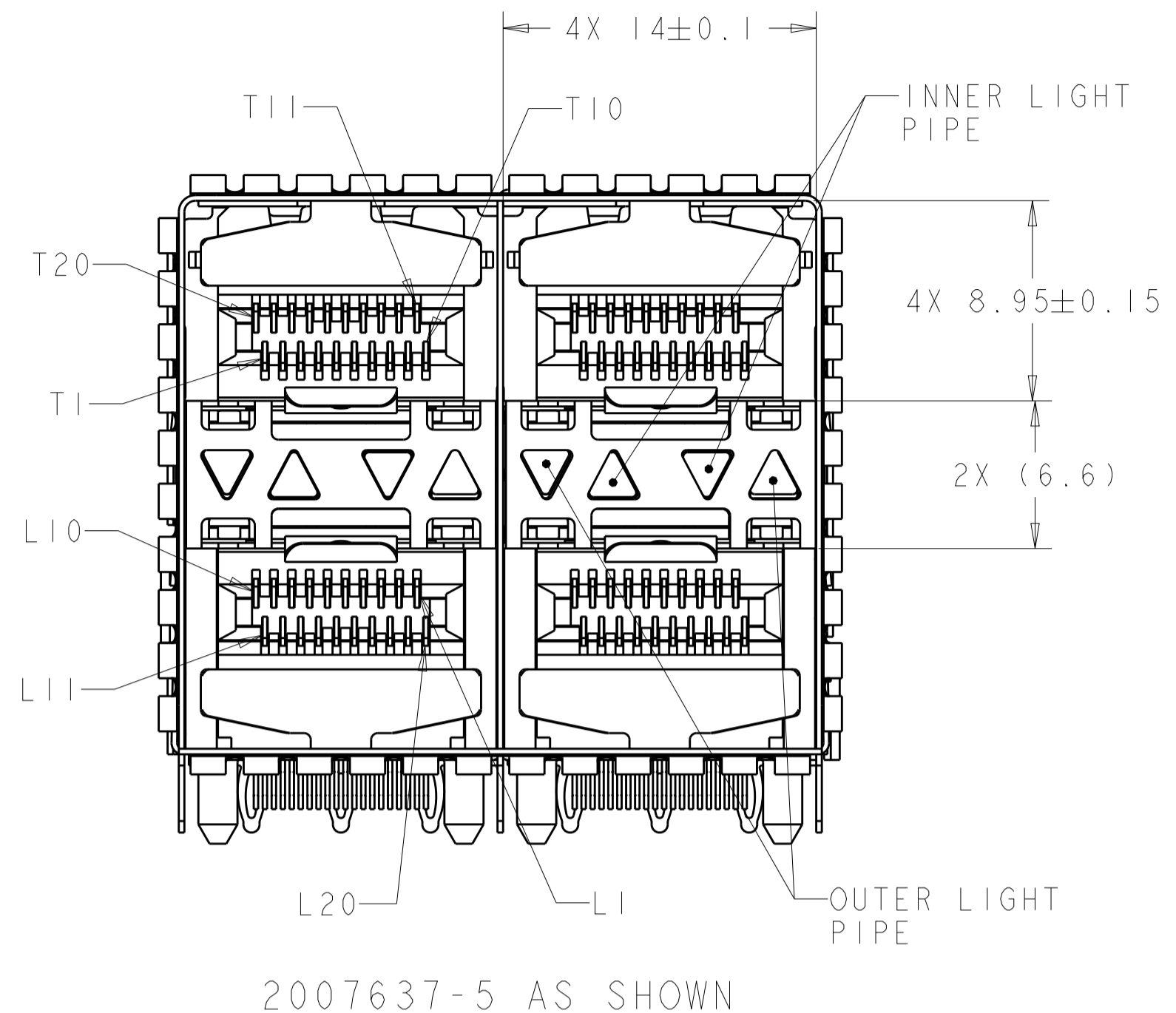
Tel: +86-755-8981 8866 Fax: +86-755-8427 6832

Email & Skype: info@chipsmall.com Web: www.chipsmall.com

Address: A1208, Overseas Decoration Building, #122 Zhenhua RD., Futian, Shenzhen, China



| LOC | DIST | REVISIONS                 |           |     |      |
|-----|------|---------------------------|-----------|-----|------|
| P   | LTN  | DESCRIPTION               | DATE      | DWN | APVD |
| B1  |      | REVISED PER ECO-11-004835 | 11MAR2011 | RK  | HMR  |
| C   |      | REVISED PER ECO-11-020849 | 17JAN2012 | CJV | PAR  |
| C1  |      | REVISED PER ECO-13-003678 | 05APR2013 | CJV | PAR  |
| D   |      | REVISED PER ECO-15-017922 | 04FEB2016 | AP  | PR   |



- 1 MATERIALS:  
 CAGE ASSEMBLY- NICKEL SILVER ALLOY PER ASTM B 122.  
 EMI SPRING- COPPER ALLOY.  
 HOUSING- BLACK LCP, UL 94V-0 RATED.  
 CHICKLET- BLACK LCP, UL 94V-0 RATED.  
 LIGHT PIPE- POLYCARBONATE, CLEAR.  
 INSERT - LCP, BLACK, UL 94V-0.  
 CONTACT- COPPER ALLOY.
- 2 DATUM AND BASIC DIMENSIONS ESTABLISHED BY CUSTOMER.
3. MINIMUM PCB THICKNESS OF 1.5.
- 4 CONTACT FINISH- CONFORMS TO THE REQUIREMENTS OF TE CONNECTIVITY PRODUCT SPECIFICATION 108-2331, BASED ON EIA/ECA-364-1000.01A, (CONTROLLED ENVIRONMENT APPLICATIONS) ON MATING INTERFACE, TIN-LEAD ON NEEDLE EYE.
- 5 CONTACT FINISH- CONFORMS TO THE REQUIREMENTS OF TE CONNECTIVITY PRODUCT SPECIFICATION 108-2331, BASED ON EIA/ECA-364-1000.01A, (CONTROLLED ENVIRONMENT APPLICATIONS) ON MATING INTERFACE, TIN ON NEEDLE EYE.
- 6 FOR HOLE SIZE AND PLATINGS, SEE APPLICATION SPEC 114-13219.
- 7 THE ENTIRE AREA OF THE CONNECTOR FOOTPRINT, INDICATED BY THE DASHED LINE, TO BE CONSIDERED THE KEEPOUT AREA FOR COMPONENTS AND SIGNAL TRACES, TOP SIDE ONLY. TOP SIDE TRACES ALLOWED WITHIN CONNECTOR HOLE PATTERN.
- 8 LIGHT PIPE PAD LAYOUT IS FOR 0805 LOW PROFILE LED PACKAGE WITH A HEIGHT OF 0.8mm.
- 9 EMI SPRING FINISH: 0.8µm MINIMUM MATTE TIN OVER 0.8µm MINIMUM NICKEL, NONPLATED EDGES PERMISSIBLE.
- 10 ADDITIONAL COMPONENT LOCATED WITHIN LATCH PLATE FOR EMI SUPPRESSION.

| YES    | NO | ENHANCED EMI | FINISH | DESCRIPTION         | PART NUMBER |
|--------|----|--------------|--------|---------------------|-------------|
| YES 10 |    |              |        | NO LIGHT PIPES      | 1-2007637-8 |
|        |    |              |        | OUTER 2 LIGHT PIPES | 1-2007637-7 |
|        |    |              |        | INNER 2 LIGHT PIPES | 1-2007637-6 |
|        |    |              |        | 4 LIGHT PIPES       | 1-2007637-5 |
|        |    |              |        | NO LIGHT PIPES      | 2007637-8   |
|        |    |              |        | OUTER 2 LIGHT PIPES | 2007637-7   |
|        |    |              |        | INNER 2 LIGHT PIPES | 2007637-6   |
|        |    |              |        | 4 LIGHT PIPES       | 2007637-5   |
|        |    |              |        | NO LIGHT PIPES      | 2007637-4   |
|        |    |              |        | OUTER 2 LIGHT PIPES | 2007637-3   |
|        |    |              |        | INNER 2 LIGHT PIPES | 2007637-2   |
|        |    |              |        | 4 LIGHT PIPES       | 2007637-1   |

THIS DRAWING IS A CONTROLLED DOCUMENT. DIMENSIONING AND TOLERANCING PER ASME Y14.5M-2009.

DIMENSIONS: mm

TOLERANCES UNLESS OTHERWISE SPECIFIED:  
 0 PLC ±0.10  
 1 PLC ±0.10  
 2 PLC ±0.10  
 3 PLC ±0.10  
 4 PLC ±0.10  
 ANGLES ±°

MATERIAL: 1

FINISH: 4 5 9

DWN: M. SHIRK 23JAN2008  
 CHK: D. SZCZESNY 23JAN2008  
 APVD: D. SZCZESNY 23JAN2008

NAME: CAGE AND PT CONNECTOR ASSEMBLY, WITH EMI SPRINGS, PRESS FIT, 2X2, STACKED SFP+

PRODUCT SPEC: 108-2331  
 APPLICATION SPEC: 114-13219

SIZE: A1  
 CAGE CODE: 00779  
 DRAWING NO: 2007637

RESTRICTED TO: -

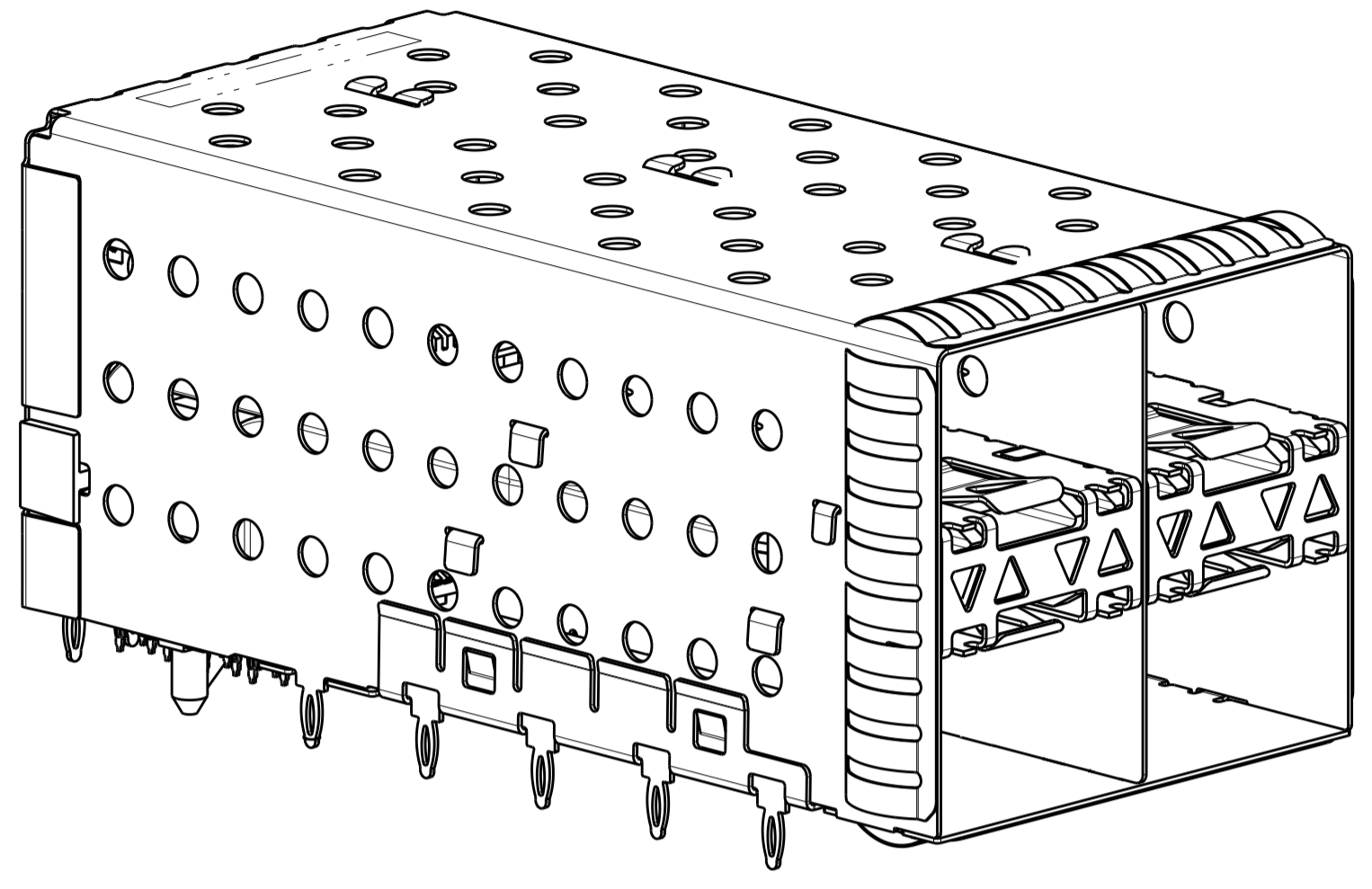
CUSTOMER DRAWING

SCALE: 4:1 SHEET 1 OF 4 REV D

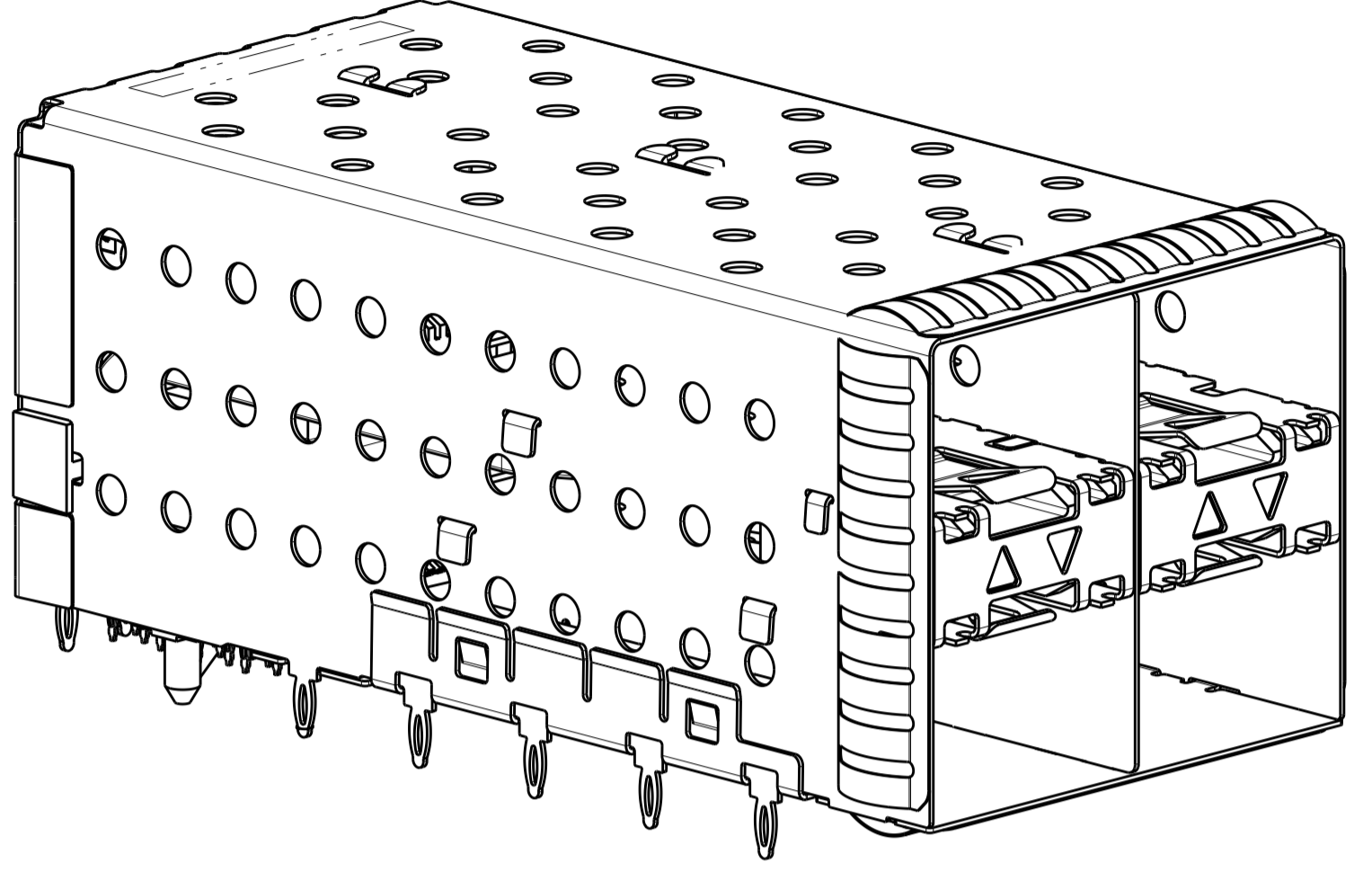


THIS DRAWING IS UNPUBLISHED. RELEASED FOR PUBLICATION 20  
 © COPYRIGHT 20 BY - ALL RIGHTS RESERVED.

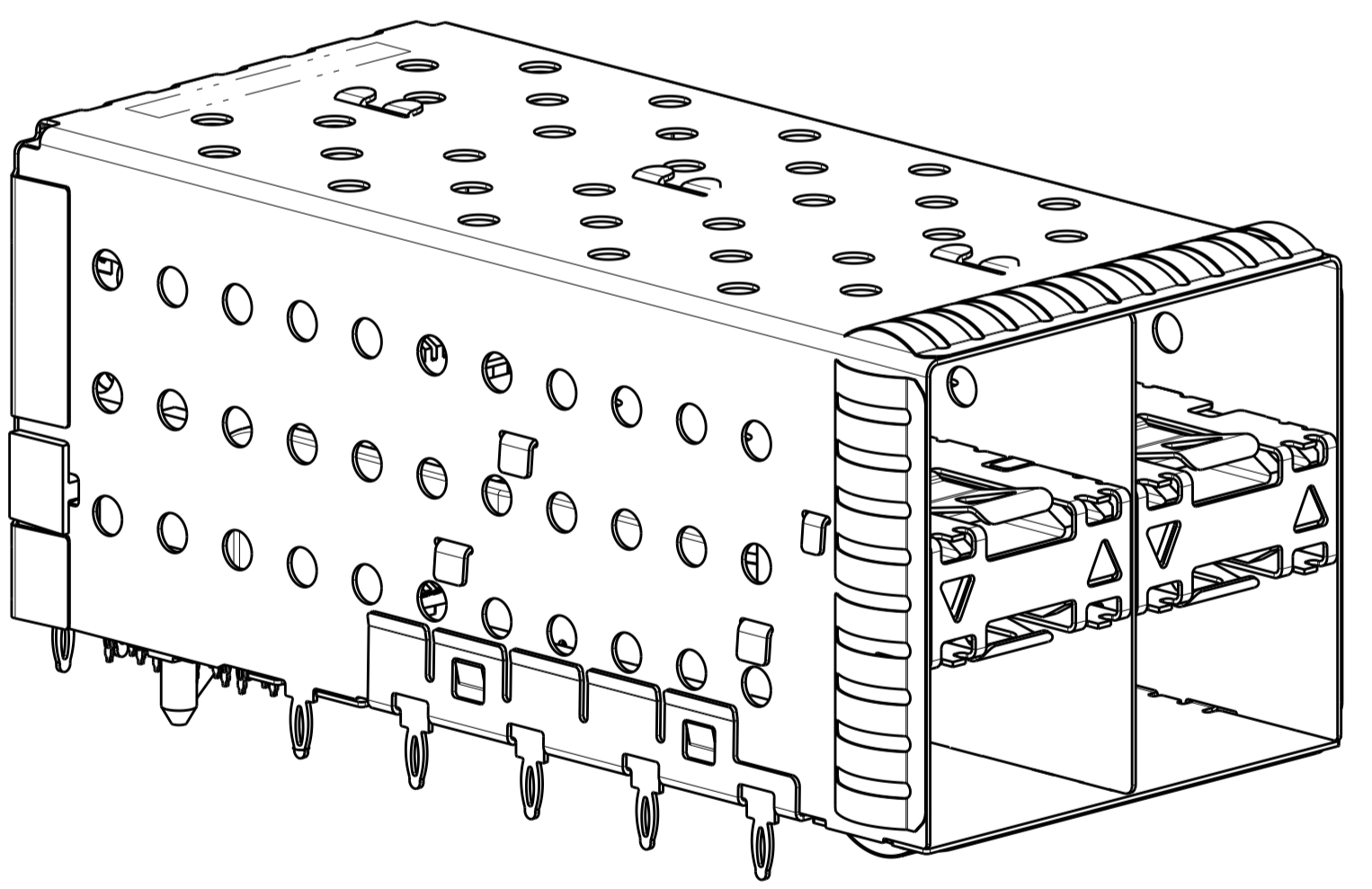
| LOC |    | DIST |     | REVISIONS   |      |     |      |
|-----|----|------|-----|-------------|------|-----|------|
| GP  | 00 | P    | LYN | DESCRIPTION | DATE | OWN | APVD |
|     |    | -    |     | SEE SHEET 1 |      |     |      |
|     |    |      |     |             |      |     |      |
|     |    |      |     |             |      |     |      |



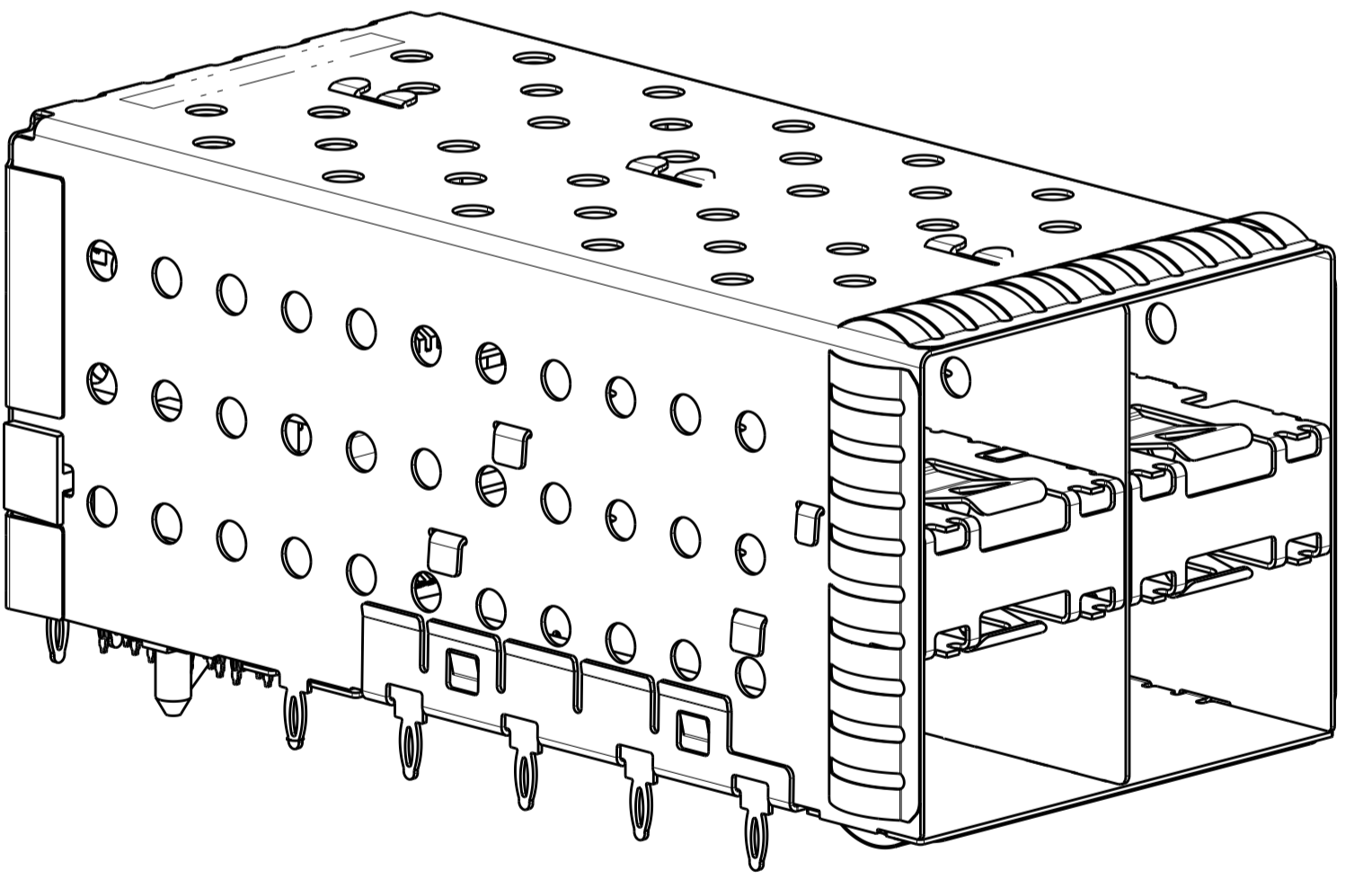
2007637-5 AND 1-2007637-5  
SCALE 3:1




2007637-6 AND 1-2007637-6  
SCALE 3:1



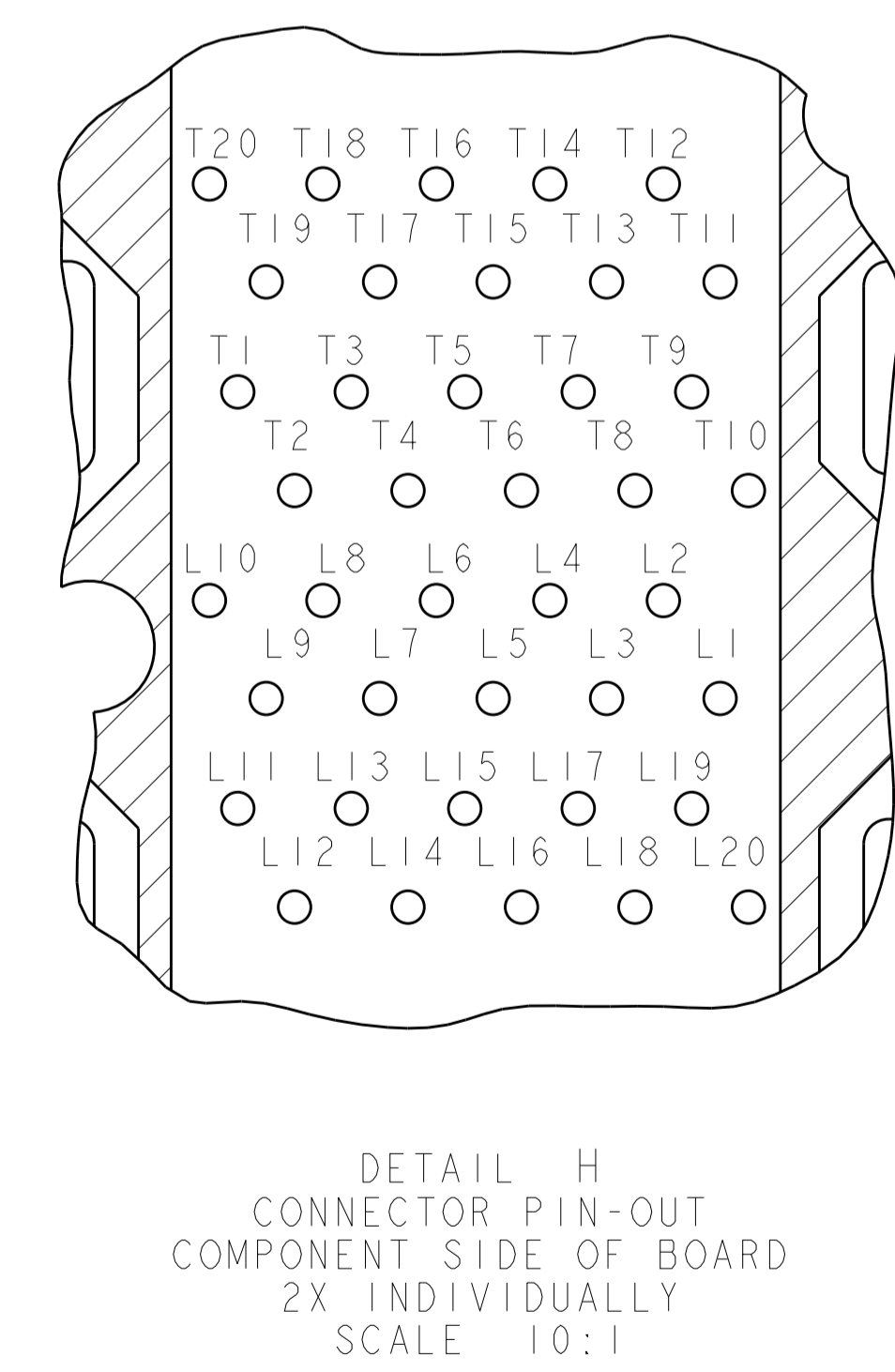
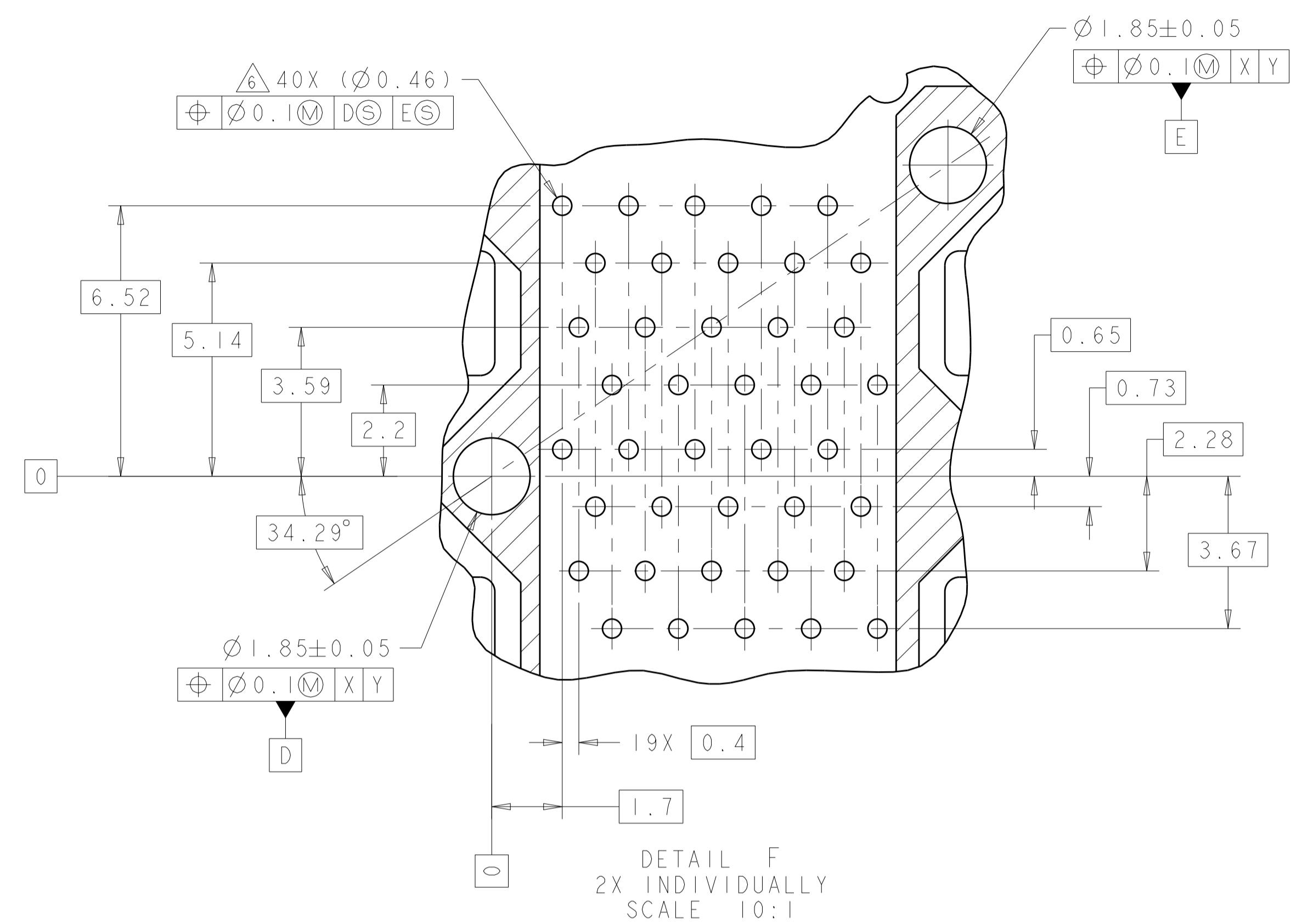
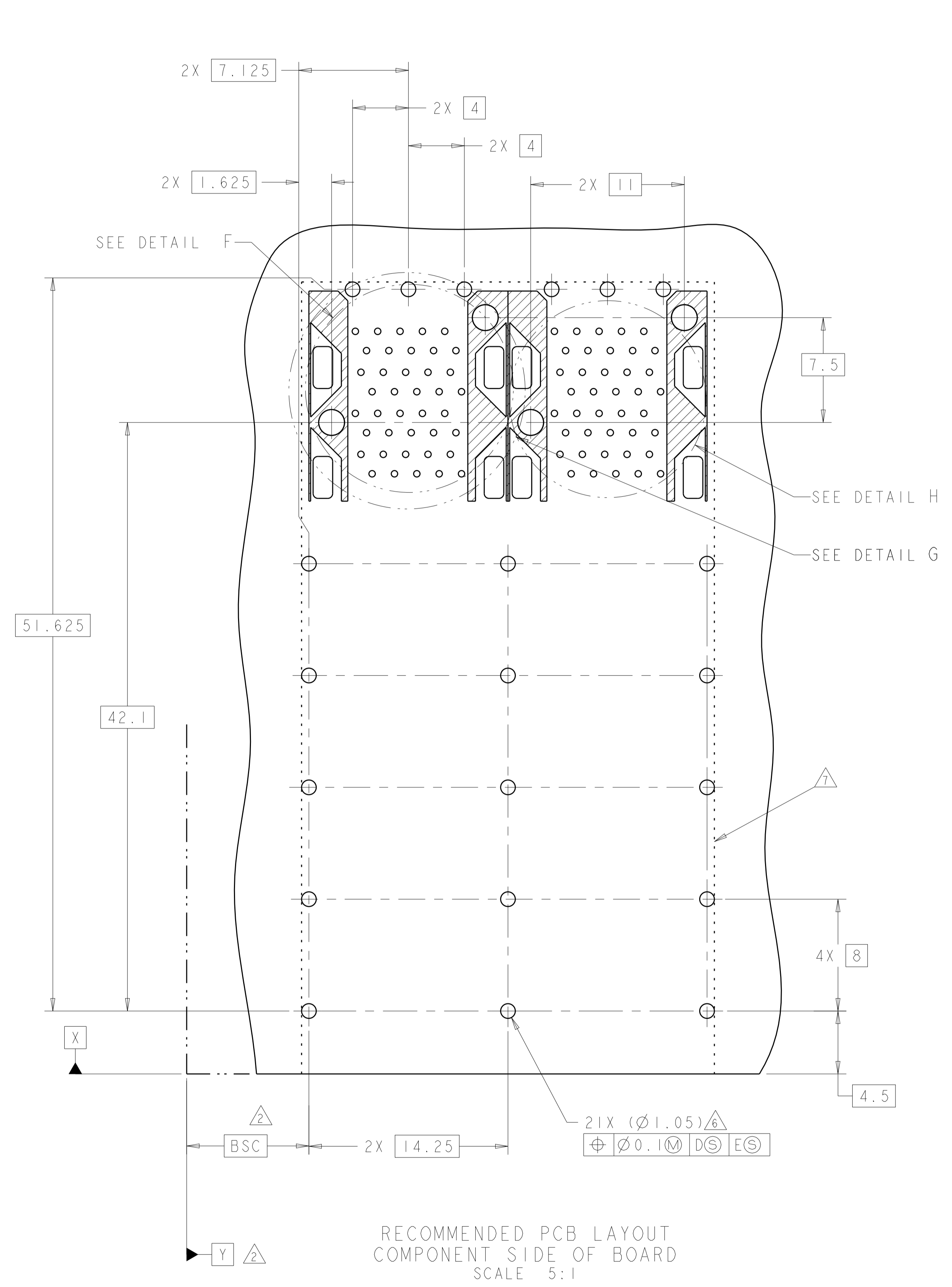
2007637-7 AND 1-2007637-7  
SCALE 3:1



2007637-8 AND 1-2007637-8  
SCALE 3:1

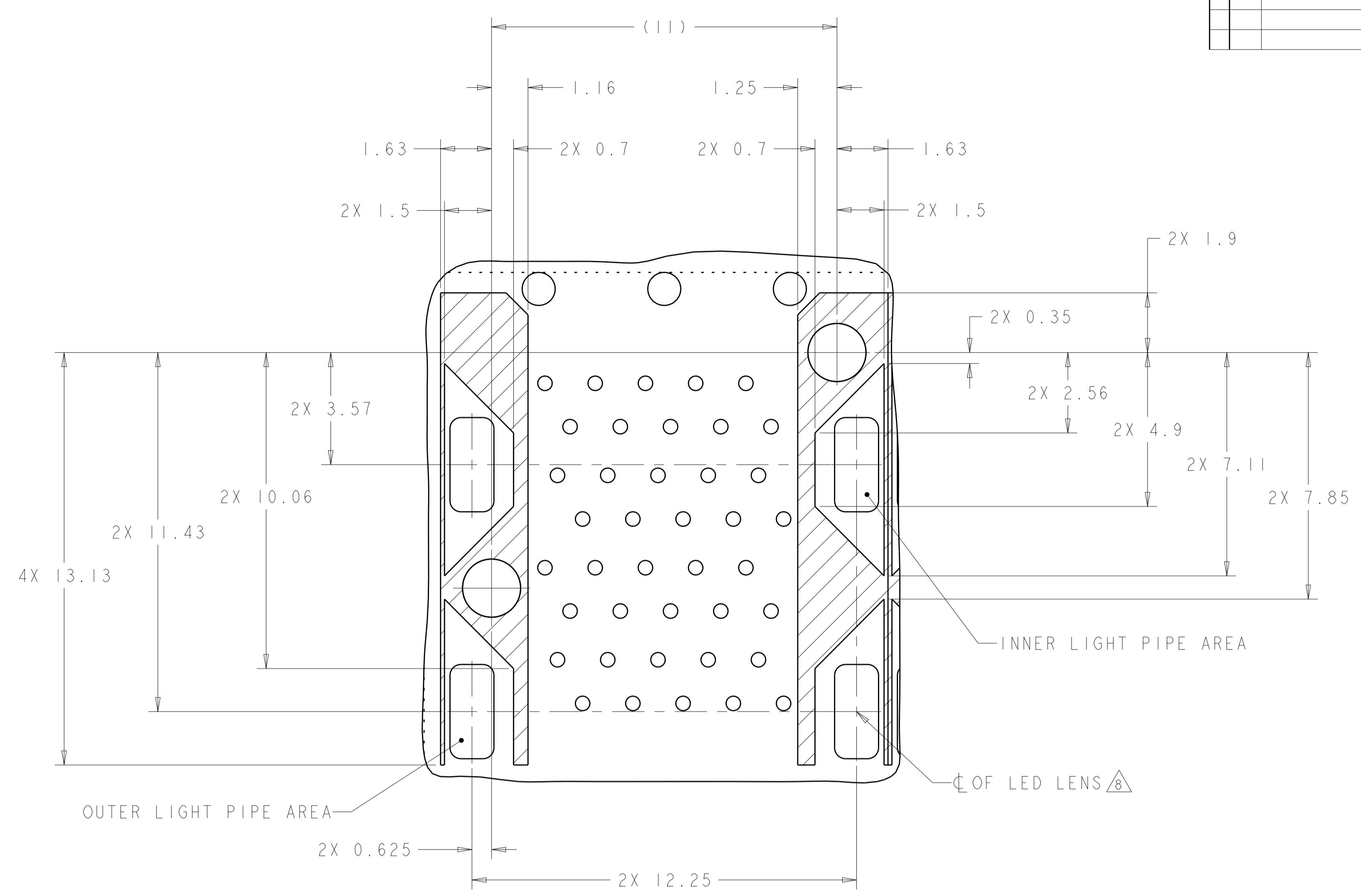
|  |  |                             |   |
|--|--|-----------------------------|---|
| THIS DRAWING IS A CONTROLLED DOCUMENT. DIMENSIONING AND TOLERANCING PER ASME Y14.5M-2009 |  | OWN: M. SHIRK 23JAN2008     |  TE Connectivity |
| DIMENSIONS: mm   |  | CHK: D. SZCZESNY 23JAN2008  |   |
| TOLERANCES UNLESS OTHERWISE SPECIFIED:   |  | APVD: D. SZCZESNY 23JAN2008 | NAME: CAGE AND PT CONNECTOR ASSEMBLY, WITH EMI SPRINGS, PRESS FIT, 2X2, STACKED SFP+                  |
| 0 PLC ±0.10<br>1 PLC ±0.10<br>2 PLC ±0.10<br>3 PLC ±0.10<br>4 PLC ±0.10<br>ANGLES ±°     |  | PRODUCT SPEC: 108-2331      |   |
| MATERIAL:  |  | APPLICATION SPEC: 114-13219 | SIZE: A100779   |
| FINISH:  |  | WEIGHT:                     | CAGE CODE: 2007637  |
|  |  | CUSTOMER DRAWING            | RESTRICTED TO: -  |
|  |  | SCALE: 4:1                  | SHEET 2 OF 4  |
|  |  |                             | REV D   |

| LOC |    | DIST |     | REVISIONS   |      |     |      |
|-----|----|------|-----|-------------|------|-----|------|
| GP  | 00 | P    | LTH | DESCRIPTION | DATE | OWN | APVD |
|     |    | -    | -   | SEE SHEET 1 | -    | -   | -    |

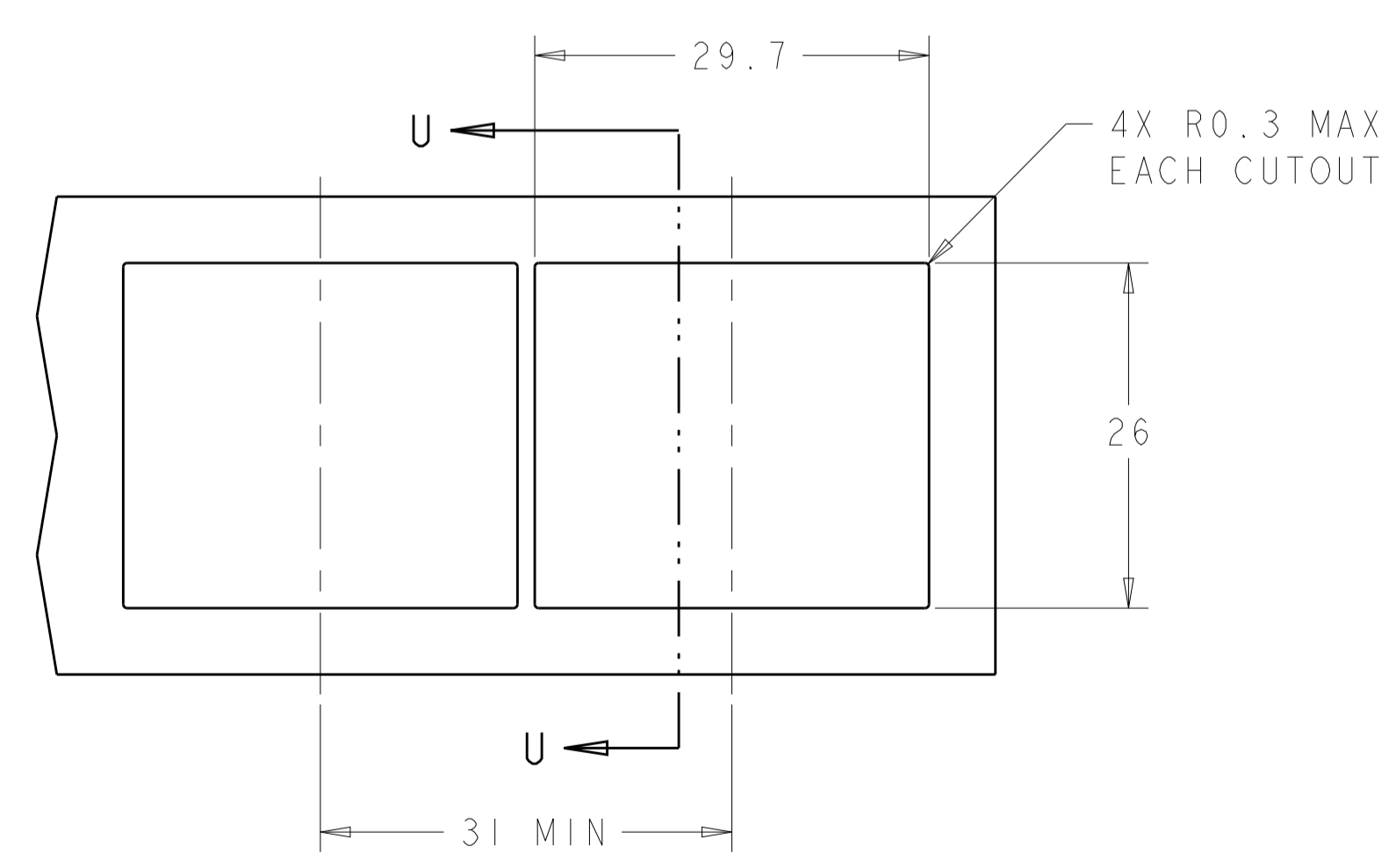


|   |  |                             |  |
|---|--|-----------------------------|--|
| THIS DRAWING IS A CONTROLLED DOCUMENT. DIMENSIONING AND TOLERANCING PER ASME Y14.5M-2009. |  | OWN: M. SHIRK 23JAN2008     | TE Connectivity  |
| DIMENSIONS: mm  |  | CHK: D. SZCZESNY 23JAN2008  |  |
| TOLERANCES UNLESS OTHERWISE SPECIFIED:  |  | APVD: D. SZCZESNY 23JAN2008 | NAME: CAGE AND PT CONNECTOR ASSEMBLY, WITH EMI SPRINGS, PRESS FIT, 2X2, STACKED SFP+ |
| 0 PLC ±0.10<br>1 PLC ±0.10<br>2 PLC ±0.10<br>3 PLC ±0.10<br>4 PLC ±0.10<br>ANGLES ±°      |  | PRODUCT SPEC: 108-2331      |  |
| MATERIAL: FINISH: *   |  | APPLICATION SPEC: 114-13219 | SIZE: A1   |
|   |  | WEIGHT: -                   | CAGE CODE: 2007637   |
|   |  | CUSTOMER DRAWING            | SCALE: 4:1 SHEET 3 OF 4 REV D  |

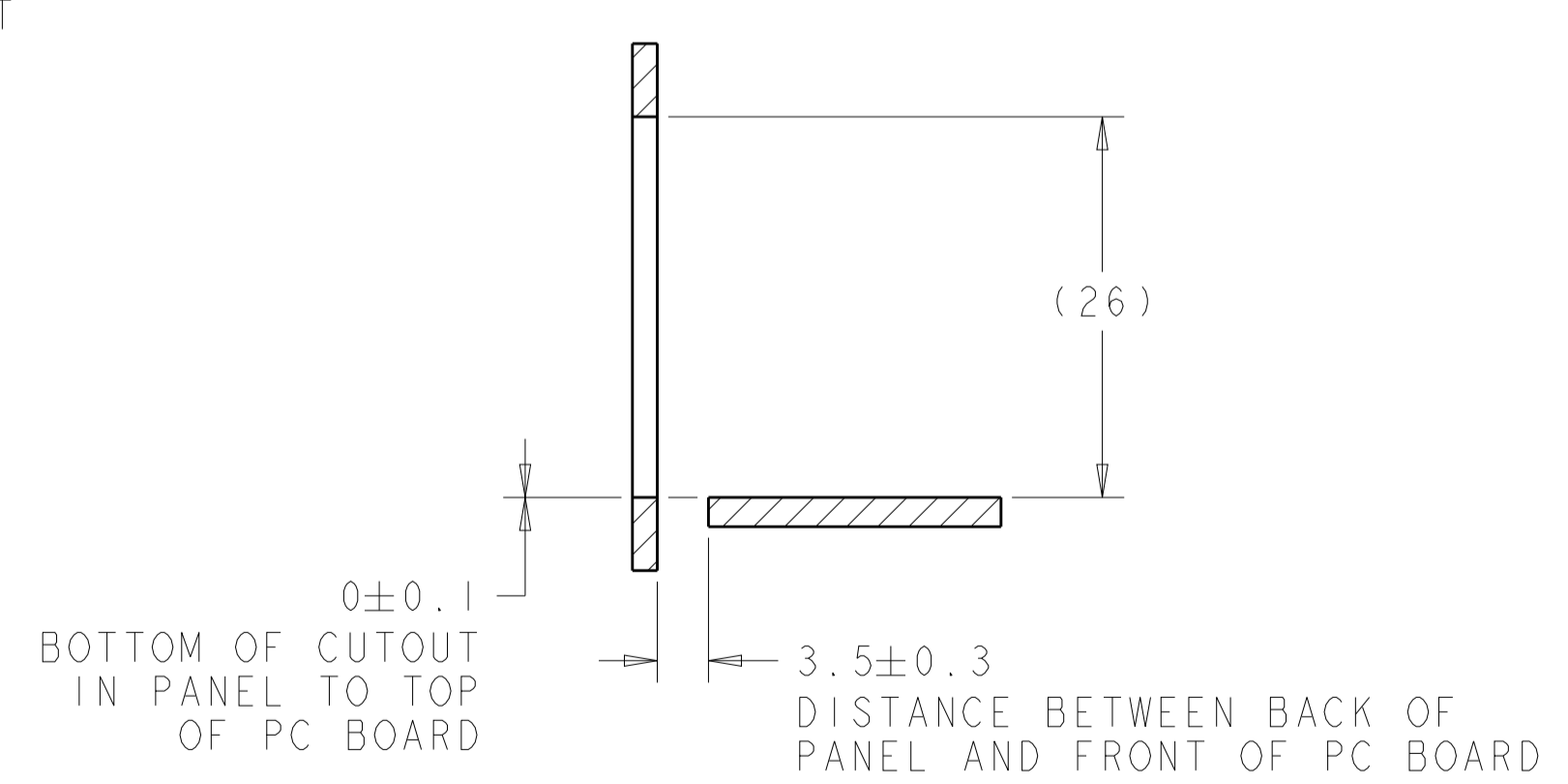
| LOC       | DIST | REV | DATE        | BY   | APPV |
|-----------|------|-----|-------------|------|------|
| GP        | 00   |     |             |      |      |
| REVISIONS |      |     | DESCRIPTION | DATE | BY   |
|           |      |     | SEE SHEET 1 |      |      |



DETAIL G  
 CONNECTOR HOUSING  
 KEEPOUT ZONE  
 2X INDIVIDUALLY  
 SCALE 10:1



RECOMMENDED PANEL CUTOUT  
 AND PC BOARD, PANEL POSITION  
 SCALE 2:1



SECTION U-U

|  |  |                             |  |
|--|--|-----------------------------|--|
| THIS DRAWING IS A CONTROLLED DOCUMENT. DIMENSIONING AND TOLERANCING PER ASME Y14.5M-2009 |  | OWN: M. SHIRK 23JAN2008     | TE Connectivity  |
| DIMENSIONS: mm   |  | CHK: D. SZCZESNY 23JAN2008  |  |
| TOLERANCES UNLESS OTHERWISE SPECIFIED:   |  | APVD: D. SZCZESNY 23JAN2008 | NAME: CAGE AND PT CONNECTOR ASSEMBLY, WITH EMI SPRINGS, PRESS FIT, 2X2, STACKED SFP+ |
| 0 PLC ±0.10  |  | PRODUCT SPEC: 108-2331      |  |
| 1 PLC ±0.10  |  | APPLICATION SPEC: 114-13219 | SIZE: A100779 C=2007637<br>WEIGHT: -<br>CUSTOMER DRAWING                             |
| 2 PLC ±0.10  |  | RESTRICTED TO: -            |  |
| 3 PLC ±0.10  |  | SCALE: 4:1                  | SHEET 4 OF 4<br>REV D  |
| 4 PLC ±0.10  |  |                             |  |
| ANGLES ±°  |  |                             |  |
| FINISH   |  |                             |  |