



Chipsmall Limited consists of a professional team with an average of over 10 year of expertise in the distribution of electronic components. Based in Hongkong, we have already established firm and mutual-benefit business relationships with customers from,Europe,America and south Asia,supplying obsolete and hard-to-find components to meet their specific needs.

With the principle of “Quality Parts,Customers Priority,Honest Operation,and Considerate Service”,our business mainly focus on the distribution of electronic components. Line cards we deal with include Microchip,ALPS,ROHM,Xilinx,Pulse,ON,Everlight and Freescale. Main products comprise IC,Modules,Potentiometer,IC Socket,Relay,Connector.Our parts cover such applications as commercial,industrial, and automotives areas.

We are looking forward to setting up business relationship with you and hope to provide you with the best service and solution. Let us make a better world for our industry!



Contact us

Tel: +86-755-8981 8866 Fax: +86-755-8427 6832

Email & Skype: info@chipsmall.com Web: www.chipsmall.com

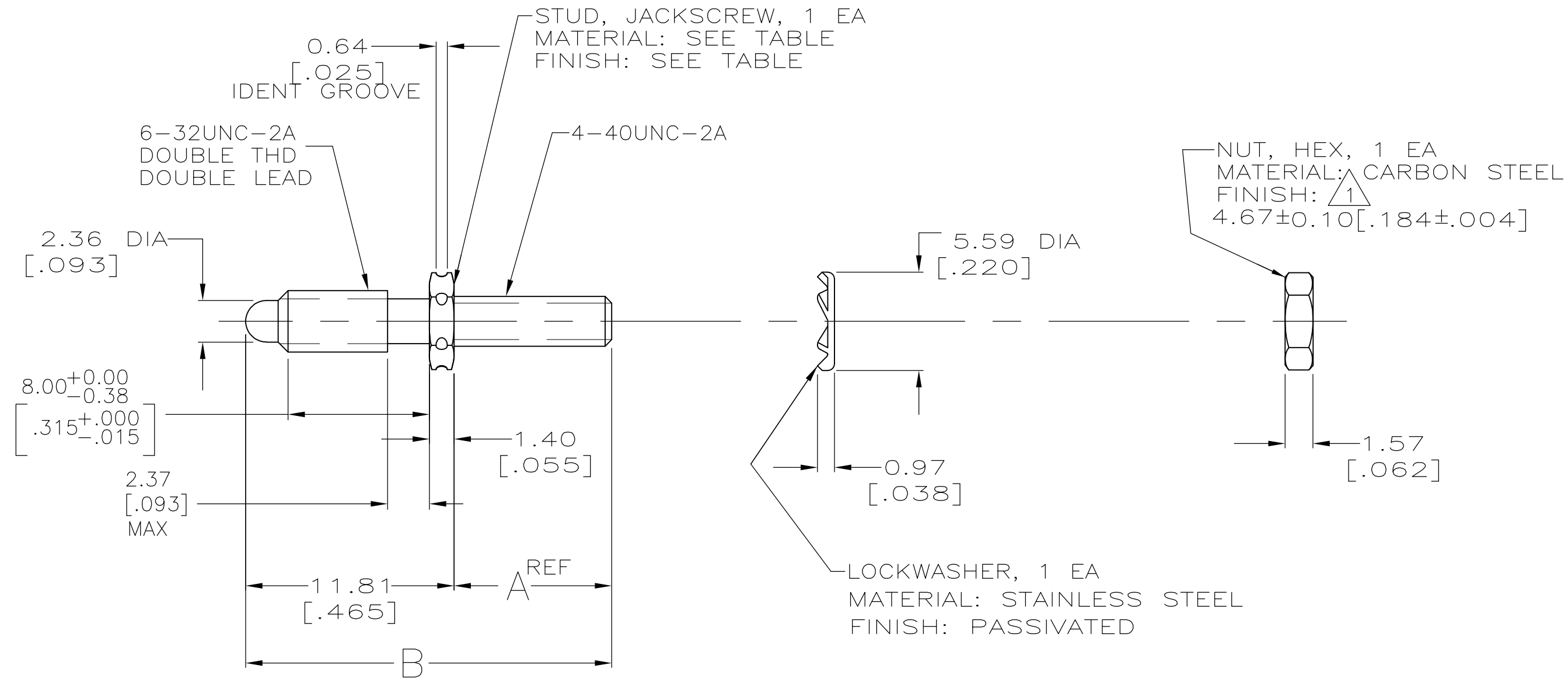
Address: A1208, Overseas Decoration Building, #122 Zhenhua RD., Futian, Shenzhen, China



THIS DRAWING IS UNPUBLISHED. RELEASED FOR PUBLICATION
 © COPYRIGHT BY TYCO ELECTRONICS CORPORATION. ALL INTERNATIONAL RIGHTS RESERVED.

LOC	DIST	REVISIONS					
FT	0	P	LTR	DESCRIPTION	DATE	DWN	APVD
		AG		REVISED PER ECO-10-021995	12JAN11	HMR	MG

 ZINC PLATE



-	STAINLESS STL	20.62 [.812]	8.81 [.347]	1-200874-2	
-	STAINLESS STL	23.80 [.937]	11.99 [.472]	200874-3	
SUPERCEDED TO 200874-1	ZINC	CARBON STEEL	20.62 [.812]	8.81 [.347]	200874-2
SUPERCEDED TO 1-200874-2	-	STAINLESS STL	20.62 [.812]	8.81 [.347]	200874-1
FINISH	MATERIAL	B	A	PART NUMBER	
JACKSCREW STUD					

THIS DRAWING IS A CONTROLLED DOCUMENT.		DWN C.OBERMAN 02/25/92	Tyco Electronics Corporation Harrisburg, PA 17105-3608	
DIMENSIONS: mm [INCHES]		CHK R.STONE 2-28-92	NAME JACKSCREW KIT, UNASSEMBLED, STUD, FIXED, M SERIES	
TOLERANCES UNLESS OTHERWISE SPECIFIED:		APVD -	PRODUCT SPEC -	
0 PLC ± -		APPLICATION SPEC -	SIZE A2	
1 PLC ± -		WEIGHT -	CAGE CODE 00779	
2 PLC ± 0.13 [.005]		DRAWING NO C=200874		
3 PLC ± -		RESTRICTED TO -		
4 PLC ± -		SCALE 4:1		
ANGLES ± -		SHEET 1 OF 1		
FINISH SEE CALLOUT		REV AG		
MATERIAL SEE CALLOUT		CUSTOMER DRAWING		