



Chipsmall Limited consists of a professional team with an average of over 10 year of expertise in the distribution of electronic components. Based in Hongkong, we have already established firm and mutual-benefit business relationships with customers from,Europe,America and south Asia,supplying obsolete and hard-to-find components to meet their specific needs.

With the principle of “Quality Parts,Customers Priority,Honest Operation,and Considerate Service”,our business mainly focus on the distribution of electronic components. Line cards we deal with include Microchip,ALPS,ROHM,Xilinx,Pulse,ON,Everlight and Freescale. Main products comprise IC,Modules,Potentiometer,IC Socket,Relay,Connector.Our parts cover such applications as commercial,industrial, and automotives areas.

We are looking forward to setting up business relationship with you and hope to provide you with the best service and solution. Let us make a better world for our industry!



Contact us

Tel: +86-755-8981 8866 Fax: +86-755-8427 6832

Email & Skype: info@chipsmall.com Web: www.chipsmall.com

Address: A1208, Overseas Decoration Building, #122 Zhenhua RD., Futian, Shenzhen, China



RAFIX 22 FS⁺ - Contact block PCB gold, E-Stop „Plus 1“**1.20.126.414/0000**

* **Caution:** The signal contact is only possible when combined with E-stop actuators RAFIX 22 FS⁺ "Plus 1". The signal contact is a NO contact and can only be used for impulse signals, not for lasting contacts.

**General information**

Lamp optional	-
---------------	---

Mechanical design

Mounting	soldering in PCB
Contact system	bridge-contact self cleaning
Contact materials	Au
Contact arrangement	2 NC + 1 signal contact
NC contact forcibly actuated acc. to IEC 60947-5-1	yes
Terminals	THT solder terminals with locating lug

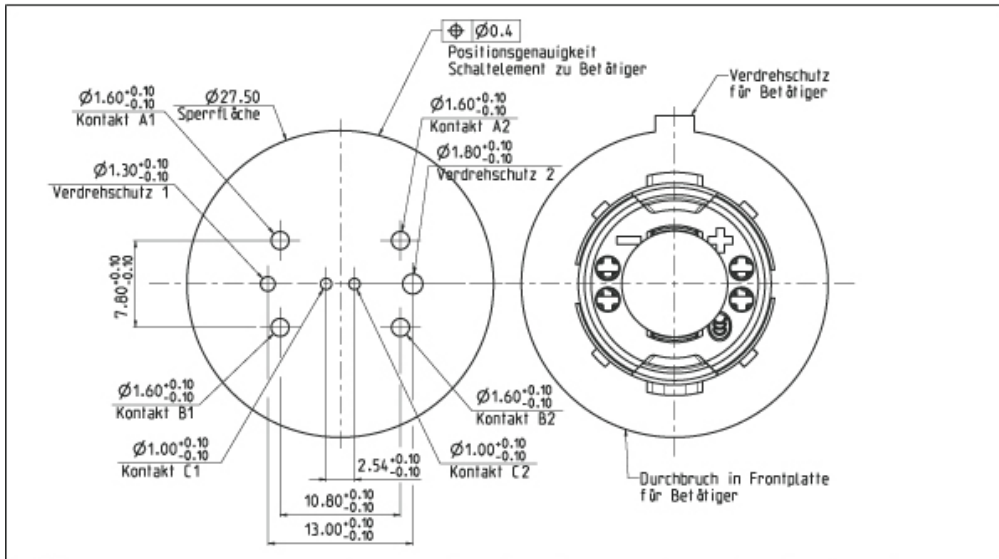
Electrical characteristics

Operating voltage AC / DC min.	5 V
Operating voltage AC / DC max.	35 V
Operating current AC / DC min.	1 mA
Operating current AC / DC max.	100 mA
Rated power max.	250 mW

Other specifications

Operating life at 10 mA / 24 V DC	50,000
B10	65,000
Switching reliability at 24V / 5mA DC	10 x 10 ⁻⁶
Ambient temp. operating min.	-40 °C
Ambient temp. operating max.	+85 °C
Storage temperature min.	-40 °C
Storage temperature max.	+85
Color of plunger	red
Robustness	acc. to IEC 60947-5-5 (TÜV)
Shock resistance acc. to IEC 60068-2-27	15 g at 11 ms, amplitude half sinusoidal
Resistance to vibrations acc. to IEC 60068-2-6	5 g at 10 ... 500 Hz
Environmental resistance	acc. to IEC 60068-2-14, -30, -33 and -78
Solderability / solder heat resistance	DIN EN 60068-2-20
Solder techniques	wave solder bath / manual soldering
Color of housing	grey
ROHS compliant	yes
REACH compliant	yes

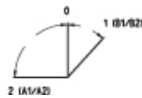
Bestückungsseite Leiterplatte-tht



Variante	1S	10	2S	20	10 + 1S	Plus 1
Kontakt A1/A2 Anschlussbezeichnung 1x	1S 13 - 14	-	1S 13 - 14	10 11-12	1S 13 - 14	10 11-12
Kontakt B1/B2 Anschlussbezeichnung 2x	-	10 21-22	1S 23-24	10 21-22	10 21-22	10 21-22
Kontakt C1/C2 Anschlussbezeichnung	LED* X1-X2	LED* X1-X2	LED* X1-X2	LED* X1-X2	LED* X1-X2	1S 33-34
*Nur bei Bedarf						

Die Schaltung der Kontakte erfolgt nach folgendem Schema:

Betätiger mit 3 Schaltstellungen



Betätiger mit 2 Schaltstellungen

