



Chipsmall Limited consists of a professional team with an average of over 10 year of expertise in the distribution of electronic components. Based in Hongkong, we have already established firm and mutual-benefit business relationships with customers from,Europe,America and south Asia,supplying obsolete and hard-to-find components to meet their specific needs.

With the principle of “Quality Parts,Customers Priority,Honest Operation,and Considerate Service”,our business mainly focus on the distribution of electronic components. Line cards we deal with include Microchip,ALPS,ROHM,Xilinx,Pulse,ON,Everlight and Freescale. Main products comprise IC,Modules,Potentiometer,IC Socket,Relay,Connector.Our parts cover such applications as commercial,industrial, and automotives areas.

We are looking forward to setting up business relationship with you and hope to provide you with the best service and solution. Let us make a better world for our industry!



Contact us

Tel: +86-755-8981 8866 Fax: +86-755-8427 6832

Email & Skype: info@chipsmall.com Web: www.chipsmall.com

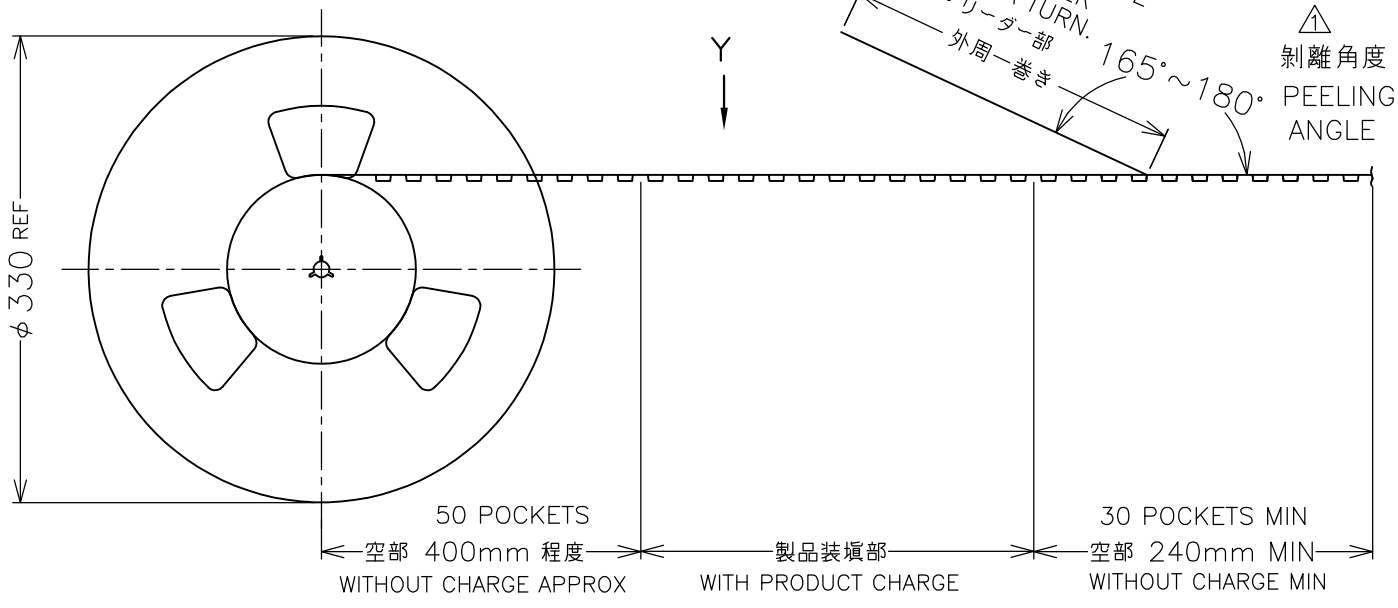
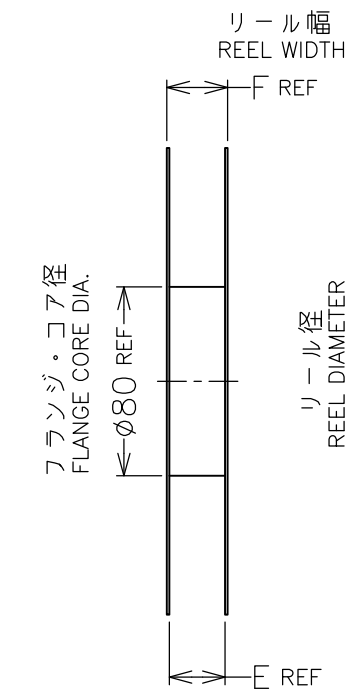
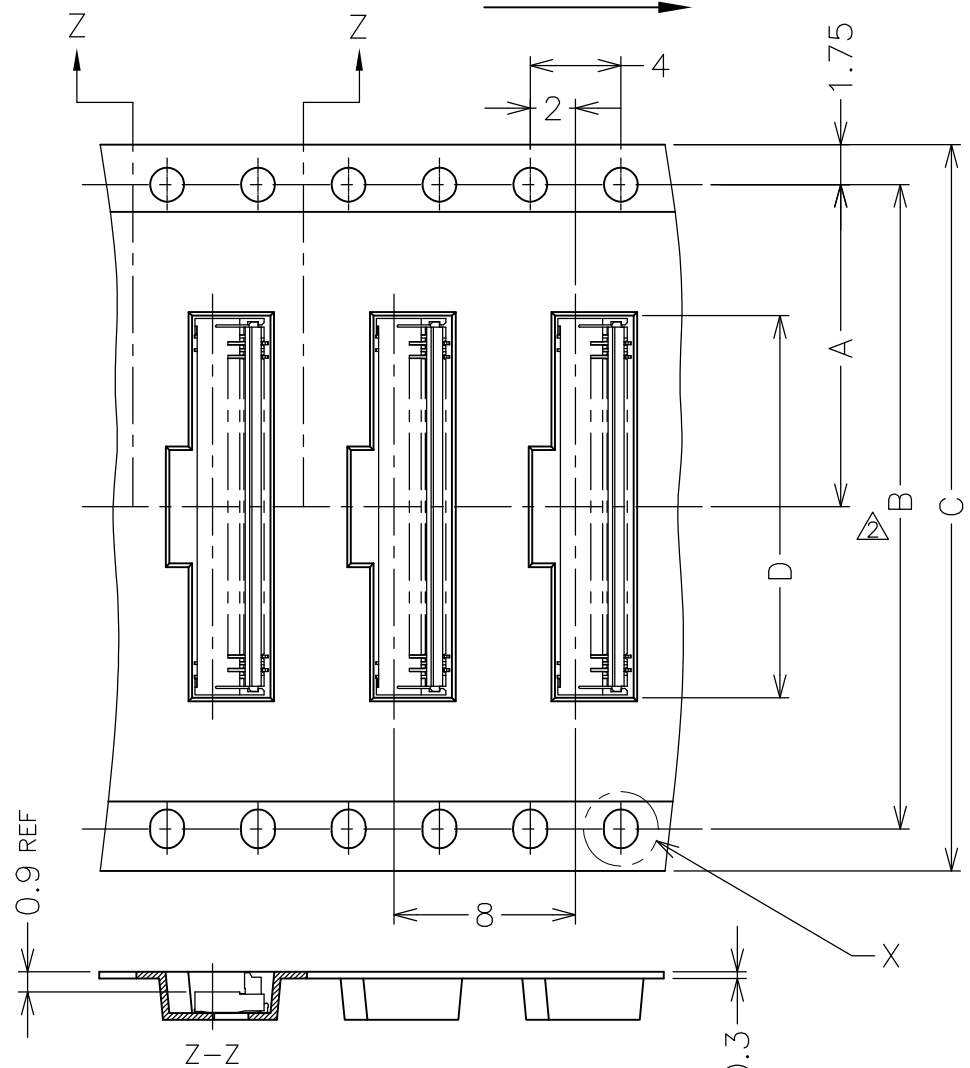
Address: A1208, Overseas Decoration Building, #122 Zhenhua RD., Futian, Shenzhen, China



THIS DRAWING IS UNPUBLISHED. RELEASED FOR PUBLICATION
 © COPYRIGHT - By - ALL RIGHTS RESERVED.

| LOC | DIST | REVISIONS | | | | | |
|-----|------|-----------|-----|---------------------------|---------|-----|------|
| J | - | P | LTR | DESCRIPTION | DATE | DWN | APVD |
| | | H | | REVISED PER ECR-11-008941 | 28JUL11 | T.T | T.M |

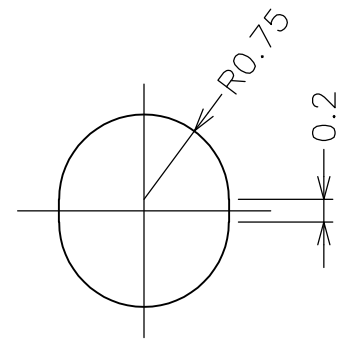
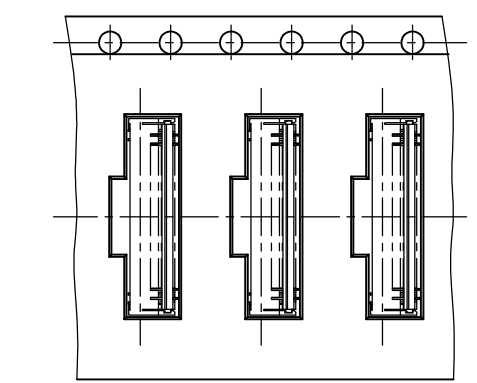
リール引出し方向
DIRECTION OFF TOP OF REEL



- △1 GENERAL TOLERANCE
 10 ≧ : ±0.2
 30 ≧ > 10 : ±0.25
 100 ≧ > 30 : ±0.3
 ANGLES: ±3°
- △2 DIM. B AND DETAIL "X" APPLIED
 TAPE WIDE, 32mm MORE.

VIEW Y (NTS)
テープ幅32mm以上に適用
APPLIED TAPE WIDTH 32MM, MORE. △

- △1 一般公差
 10以下: ± 0.2
 10を越え 30以下: ± 0.25
 30を越え 100以下: ± 0.3
 角 度: ± 3°
- △2 B寸法及び"X"詳細図は、
テープ幅32mm以上に適用



| STATUS | CONNECTOR WEIGHT | F | E | D | C | B | A | 数量 (ヶ) QTY/REEL | POS.(N) | EMBOSS TAPE PACKAGING PART NUMBER | |
|----------|------------------|--------|------|------|------|----|---|-----------------|---------|-----------------------------------|-------------|
| OBSOLETE | AVAILABLE | 0.089g | 30.4 | 24.4 | 15.0 | 24 | — | 11.5 | 3000 | 45 | 1-2013928-8 |
| | AVAILABLE | 0.085g | 30.4 | 24.4 | 14.4 | 24 | — | 11.5 | 3000 | 43 | 1-2013928-7 |
| | AVAILABLE | 0.081g | 30.4 | 24.4 | 13.8 | 24 | — | 11.5 | 3000 | 41 | 1-2013928-6 |
| | AVAILABLE | 0.077g | 30.4 | 24.4 | 13.2 | 24 | — | 11.5 | 3000 | 39 | 1-2013928-5 |
| | AVAILABLE | 0.074g | 30.4 | 24.4 | 12.6 | 24 | — | 11.5 | 3000 | 37 | 1-2013928-4 |
| | AVAILABLE | 0.066g | 30.4 | 24.4 | 11.4 | 24 | — | 11.5 | 3000 | 33 | 1-2013928-2 |
| | AVAILABLE | 0.055g | 30.4 | 24.4 | 9.6 | 24 | — | 11.5 | 3000 | 27 | 2013928-9 |
| | AVAILABLE | 0.052g | 22.4 | 16.4 | 9.0 | 16 | — | 7.5 | 3000 | 25 | 2013928-8 |

THIS DRAWING IS A CONTROLLED DOCUMENT.

DWN Y.KODAIRA 24MAR2008
 CHK T.KUSUHARA 25MAR2008
 APVD T.KUSUHARA 25MAR2008

TE Connectivity

0.3FPC Narrow BF-U
 0.9mmH, 3.8mmW
 GOLD PLATE

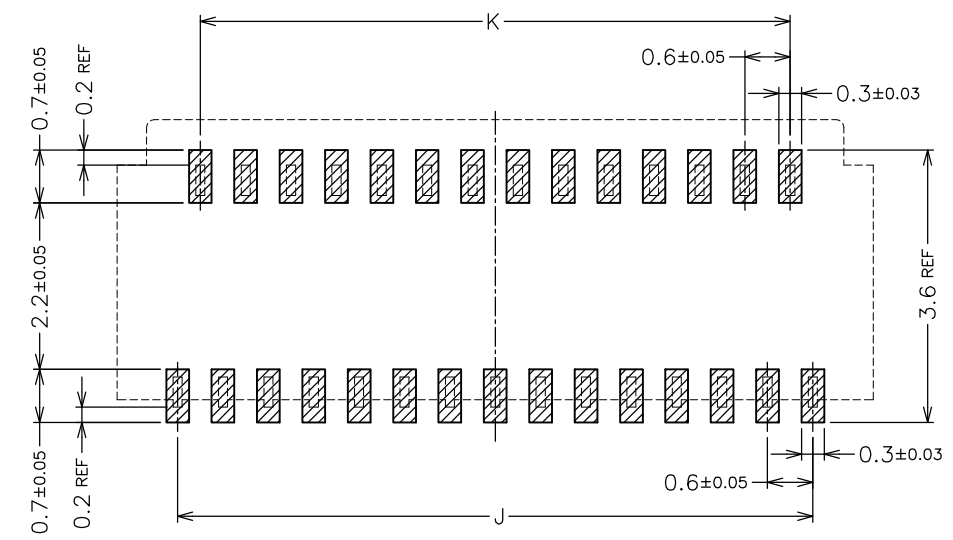
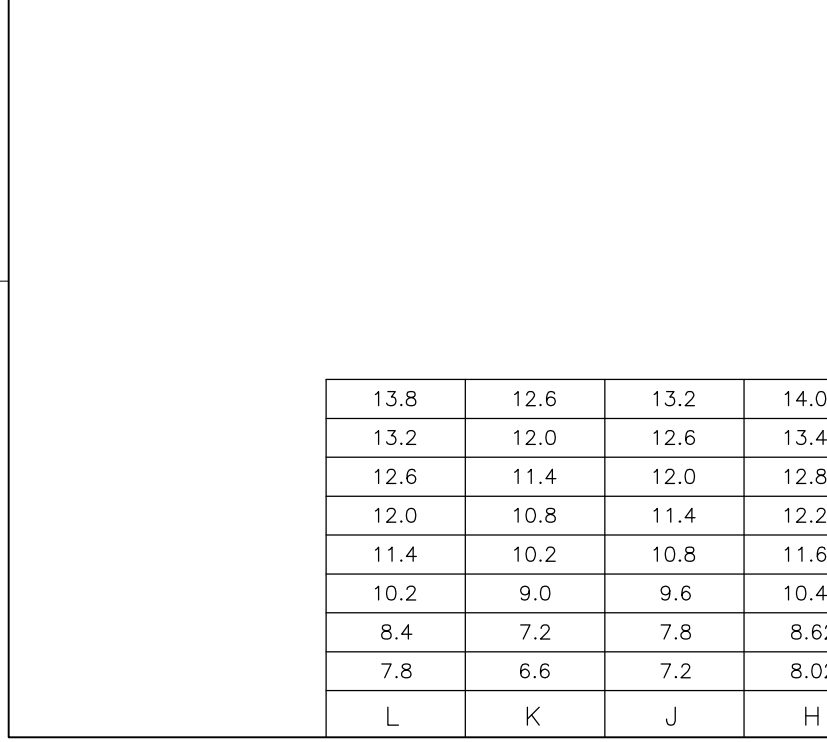
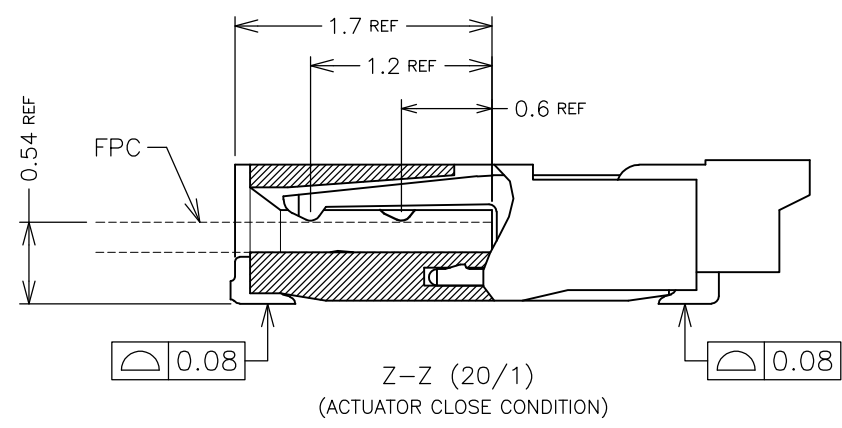
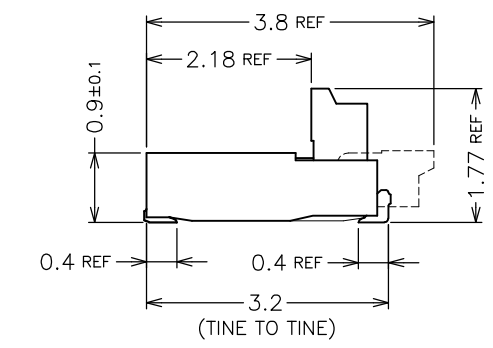
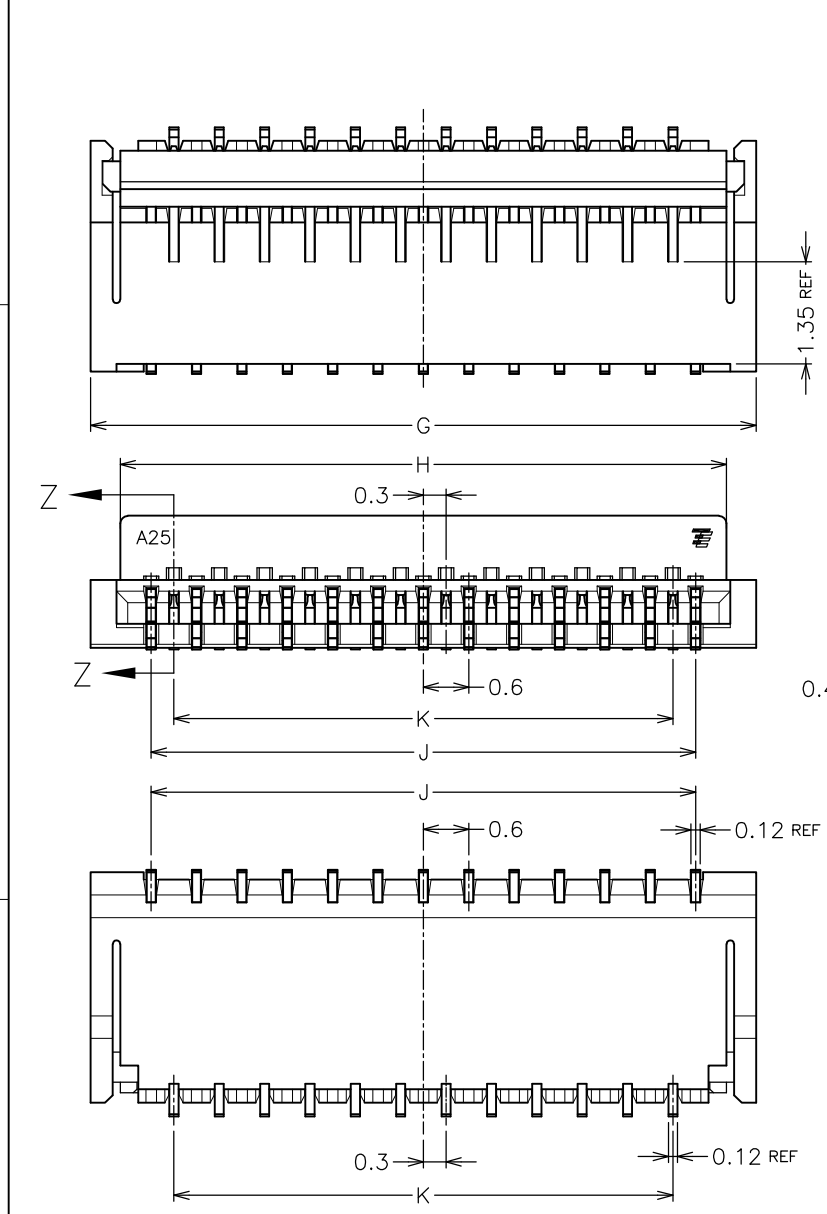
108-78574
 APPLICATION SPEC
 411-78318
 WEIGHT SEE TABLE

SIZE A3 CAGE CODE 00779 DRAWING NO C-2013928 RESTRICTED TO -

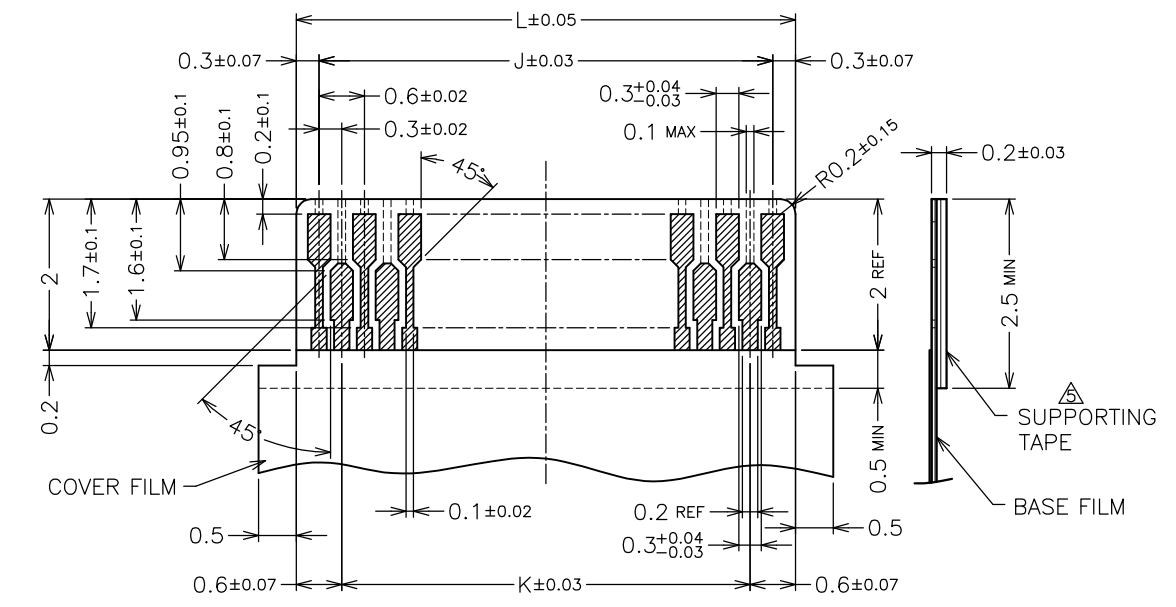
CUSTOMER DRAWING SCALE NTS SHEET 1 OF 2 REV H

THIS DRAWING IS UNPUBLISHED. RELEASED FOR PUBLICATION
 © COPYRIGHT - By - ALL RIGHTS RESERVED.

| LOC | DIST | REVISIONS | | | | | |
|-----|------|-----------|-----|-------------|------|-----|------|
| J | - | P | LTR | DESCRIPTION | DATE | DWN | APVD |
| | | - | | SEE SHEET 1 | - | - | - |



RECOMMENDED PCB PATTERN DIMENSION (10/1)



RECOMMENDED FPC PATTERN DIMENSION (10/1)
 CONDUCTOR : GOLD OVER NICKEL PLATING (Au 0.1μm MIN.)

- △ MATERIAL
 HOUSING : THERMO PLASTIC
 ACTUATOR : THERMO PLASTIC
 FRONT CONTACT : COPPER ALLOY
 REAR CONTACT : COPPER ALLOY
- △ FINISH
 FRONT CONTACT : GOLD OVER NICKEL PLATING
 REAR CONTACT : GOLD OVER NICKEL PLATING
- △ THE SUPPORTING TAPE OF FPC IS RECOMMENDED TO USE THE POLYIMIDE OR THE EQUIVALENT MATERIAL OF THE THICKNESS OF 50μm OR MORE.
- △ 材質
 ハウジング : 耐熱樹脂
 アクチュエーター : 耐熱樹脂
 フロントコンタクト : 銅合金
 リアコンタクト : 銅合金
- △ めっき
 フロントコンタクト : 金めっき(ニッケル下地めっき)
 リアコンタクト : 金めっき(ニッケル下地めっき)
- △ FPCの補強板には、厚さ50μm以上のポリイミドまたは相当材の使用を推奨する。

| | | | | | | |
|------|------|------|-------|------|------|----------------|
| 13.8 | 12.6 | 13.2 | 14.02 | 14.8 | 45 | 1-2013928-8 |
| 13.2 | 12.0 | 12.6 | 13.42 | 14.2 | 43 | 1-2013928-7 |
| 12.6 | 11.4 | 12.0 | 12.82 | 13.6 | 41 | 1-2013928-6 |
| 12.0 | 10.8 | 11.4 | 12.22 | 13.0 | 39 | 1-2013928-5 |
| 11.4 | 10.2 | 10.8 | 11.62 | 12.4 | 37 | 1-2013928-4 |
| 10.2 | 9.0 | 9.6 | 10.42 | 11.2 | 33 | 1-2013928-2 |
| 8.4 | 7.2 | 7.8 | 8.62 | 9.4 | 27 | 2013928-9 |
| 7.8 | 6.6 | 7.2 | 8.02 | 8.8 | 25 | 2013928-8 |
| L | K | J | H | G | POS. | CONN. PART No. |

THIS DRAWING IS A CONTROLLED DOCUMENT.

| | | | | | | |
|-------------------|--|------------------|---|-----------|------------|---------------|
| DIMENSIONS: mm | TOLERANCES UNLESS OTHERWISE SPECIFIED: 0 PLC ± 0.3 1 PLC ± 0.3 2 PLC ± 0.3 3 PLC ± 0.3 4 PLC ± 0.3 ANGLES ± 3° | DWN | TE Connectivity NAME 0.3FPC Narrow BF-U 0.9mmH, 3.8mmW GOLD PLATE | | | |
| | MATERIAL | CHK | | | | |
| | FINISH | APVD | | | | |
| | | PRODUCT SPEC | | | | |
| | | APPLICATION SPEC | | | | |
| | | WEIGHT | SIZE | CAGE CODE | DRAWING NO | RESTRICTED TO |
| | | | A3 | 00779 | C-2013928 | - |
| | | | CUSTOMER DRAWING | SCALE | SHEET | REV |
| | | | | 10:1 | 2 OF 2 | H |