



Chipsmall Limited consists of a professional team with an average of over 10 year of expertise in the distribution of electronic components. Based in Hongkong, we have already established firm and mutual-benefit business relationships with customers from,Europe,America and south Asia,supplying obsolete and hard-to-find components to meet their specific needs.

With the principle of “Quality Parts,Customers Priority,Honest Operation,and Considerate Service”,our business mainly focus on the distribution of electronic components. Line cards we deal with include Microchip,ALPS,ROHM,Xilinx,Pulse,ON,Everlight and Freescale. Main products comprise IC,Modules,Potentiometer,IC Socket,Relay,Connector.Our parts cover such applications as commercial,industrial, and automotives areas.

We are looking forward to setting up business relationship with you and hope to provide you with the best service and solution. Let us make a better world for our industry!



Contact us

Tel: +86-755-8981 8866 Fax: +86-755-8427 6832

Email & Skype: info@chipsmall.com Web: www.chipsmall.com

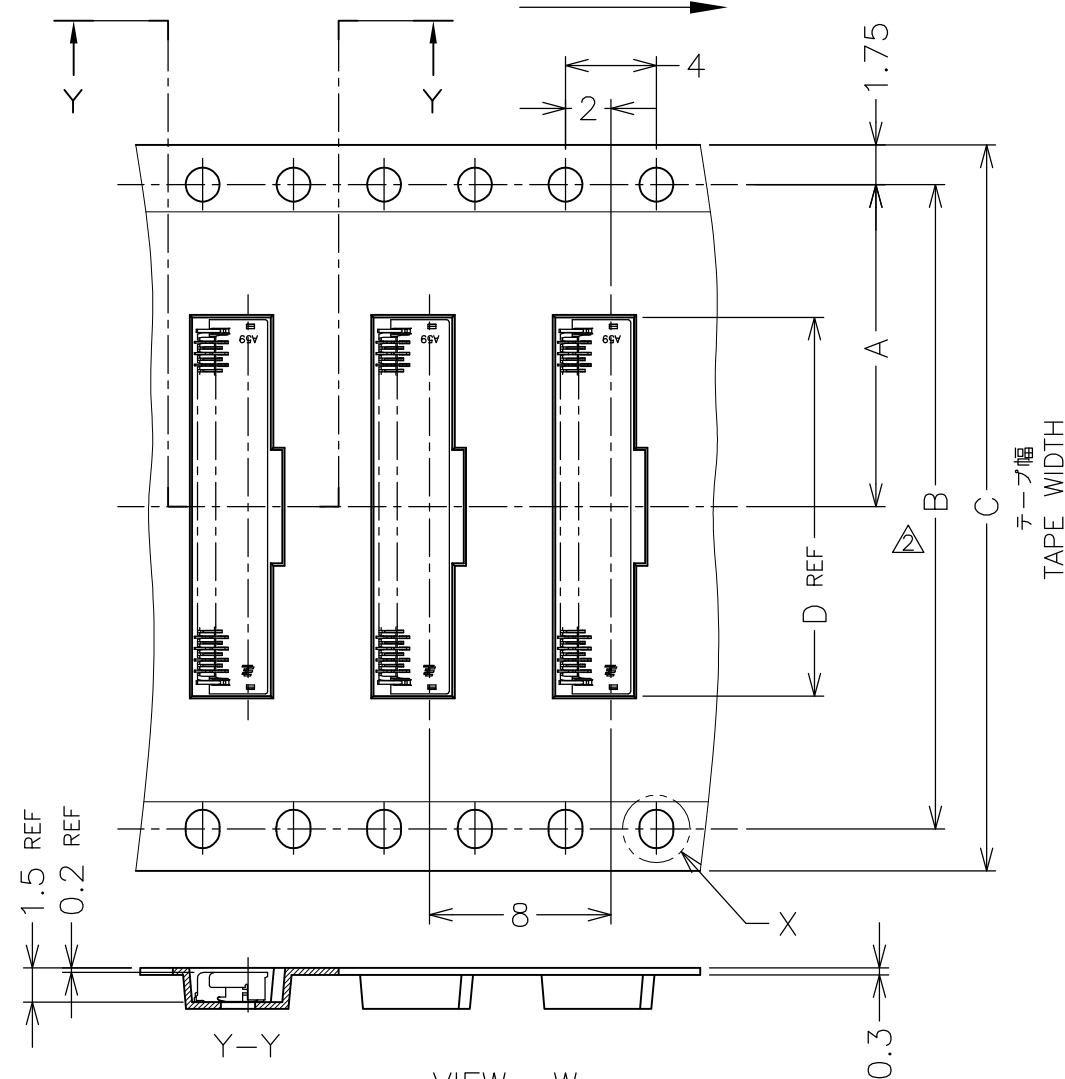
Address: A1208, Overseas Decoration Building, #122 Zhenhua RD., Futian, Shenzhen, China



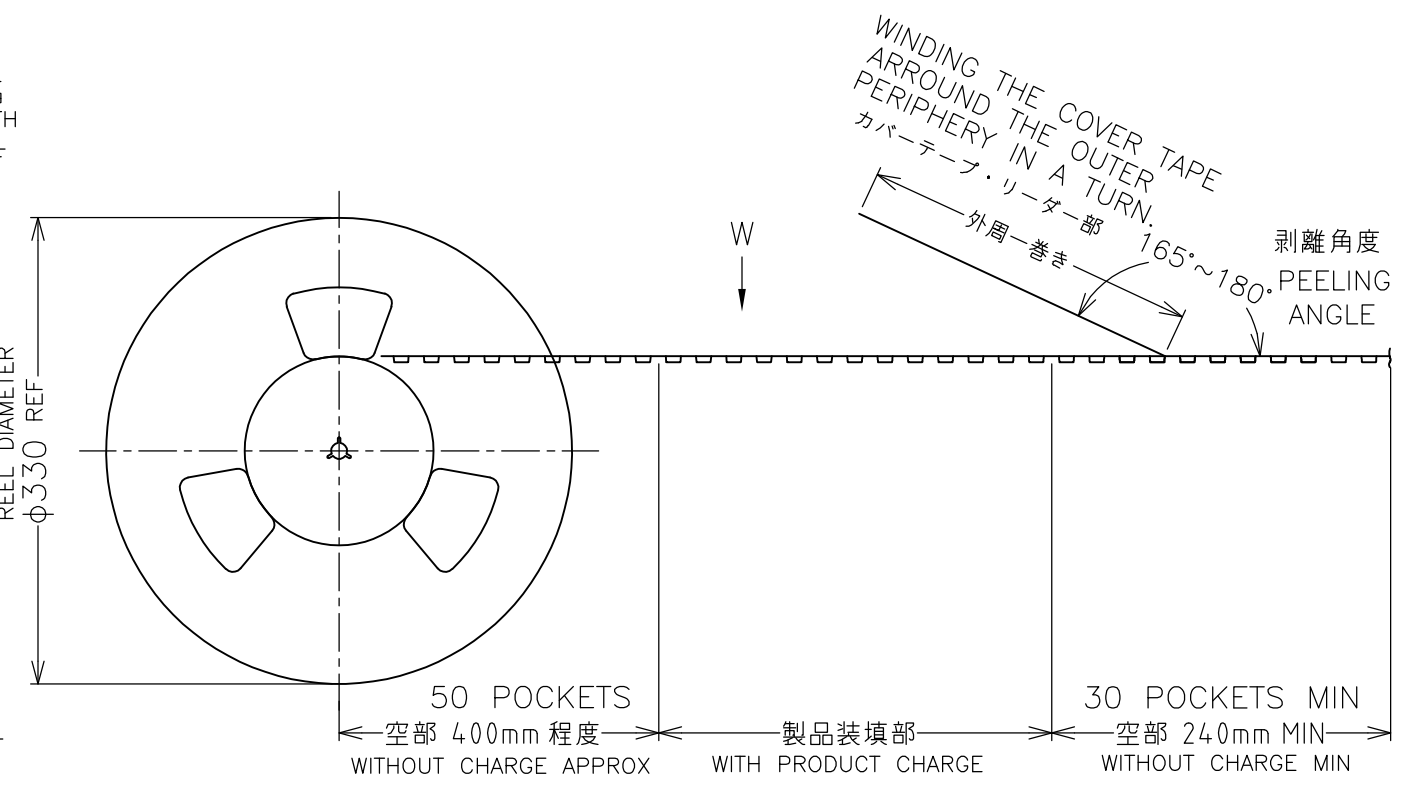
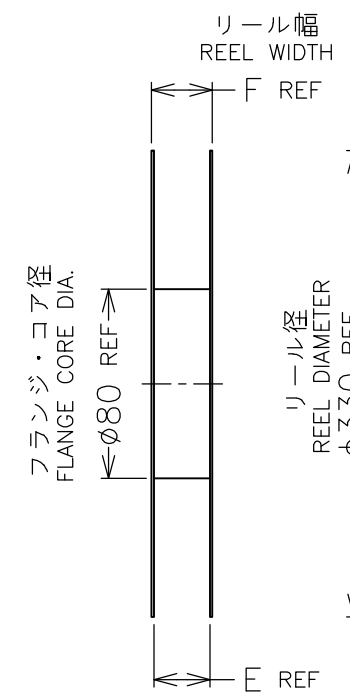
THIS DRAWING IS UNPUBLISHED. RELEASED FOR PUBLICATION NOV. 2008.
 © COPYRIGHT 2008 By - ALL RIGHTS RESERVED.

LOC	DIST	REVISIONS					
J	/	P	LTR	DESCRIPTION	DATE	DWN	APVD
		E		REVISED ECR-12-012475	9JUL2012	Y.K	A.K

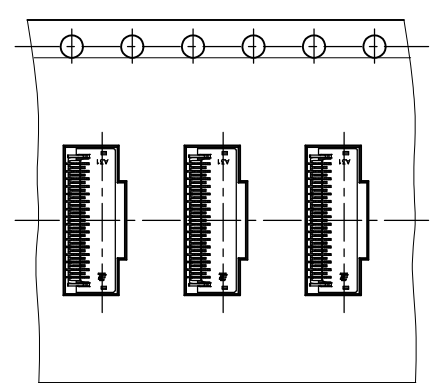
リール引出し方向
DIRECTION OFF TOP OF REEL



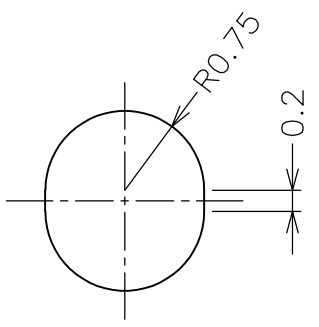
VIEW W
テープ幅 32mm以上に適用
APPLIED TAPE WIDTH 32MM, MORE.



- △ GENERAL TOLERANCE
 10 ≥ ±0.2
 30 ≥ >10: ±0.25
 100 ≥ >30: ±0.3
 ANGLES: ±3°
- △ DIM. 28.4 AND DETAIL "X" APPLIED TAPE WIDE, 32mm MORE.
- △ 一般公差
 10以下: ±0.2
 10を越え 30以下: ±0.25
 30を越え 100以下: ±0.3
 角度: ±3°
- △ 28.4寸法及び"X"詳細図は、テープ幅32mm以上に適用



VIEW W
テープ幅 12mm, 16mm, 24mmに適用
APPLIED TAPE WIDTH 12MM, 16MM AND 24MM.



DETAIL X

OBSOLETE	AVAILABLE	0.115g	30.4	24.4	17.2	24	-	11.5	3500	61	2-2040832-6	
	AVAILABLE	0.098g	30.4	24.4	14.7	24	-	11.5	3500	51	2-2040832-1	
	AVAILABLE	0.087g	30.4	24.4	13.2	24	-	11.5	3500	45	1-2040832-8	
	AVAILABLE	0.080g	30.4	24.4	12.2	24	-	11.5	3500	41	1-2040832-6	
	AVAILABLE	0.074g	30.4	24.4	11.2	24	-	11.5	3500	37	1-2040832-4	
OBSOLETE	AVAILABLE	0.053g	22.4	16.4	8.2	16	-	7.5	3500	25	2040832-8	
	STATUS	CONNECTOR WEIGHT	DIMENSIONS						数量(ヶ)	POS.(N)	EMBOSS TAPE PACKAGING PART NUMBER	
			F	E	D	C	B	A				

THIS DRAWING IS A CONTROLLED DOCUMENT.

DWN Y.KODAIRA 17NOV2008
 CHK A.KUBO 26NOV2008
 APVD T.KUSUHARA 26NOV2008

PRODUCT SPEC 108-78650
 APPLICATION SPEC 411-78338

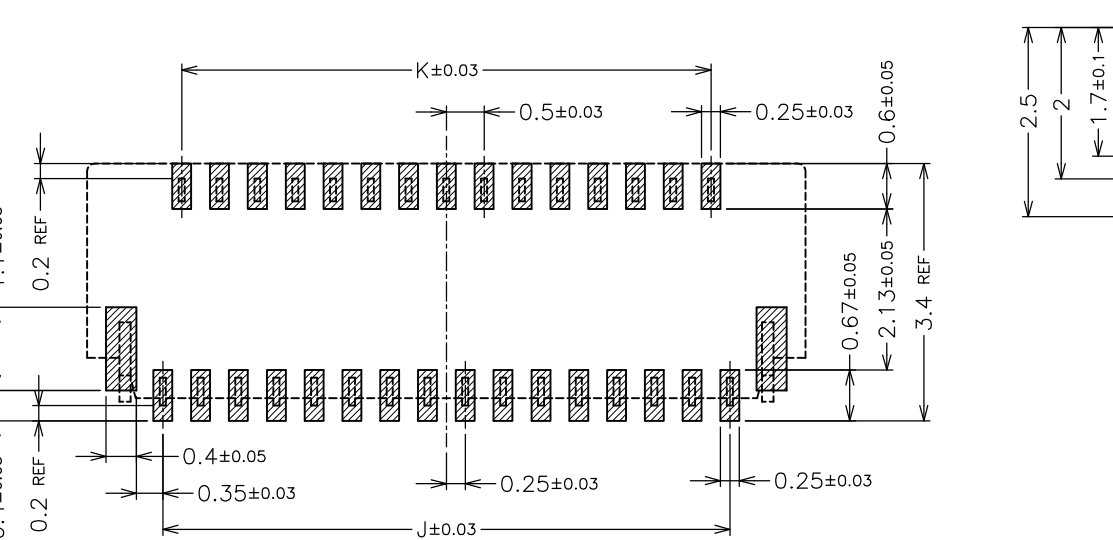
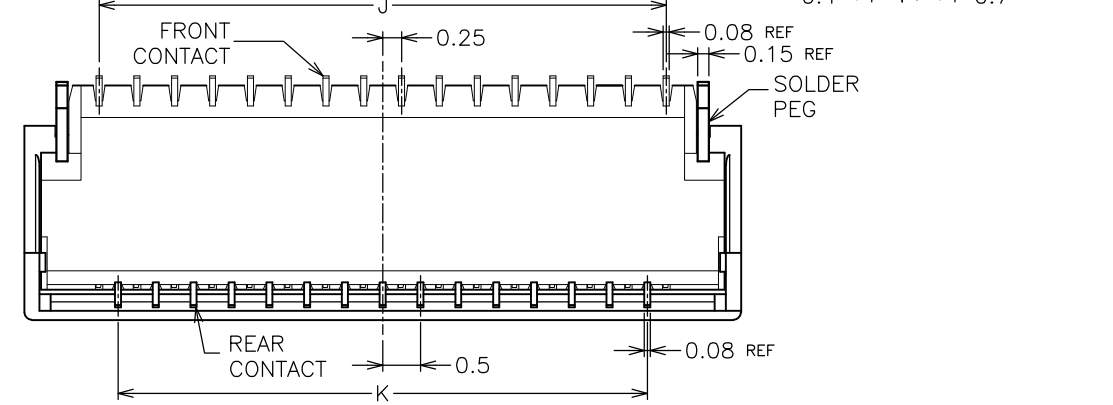
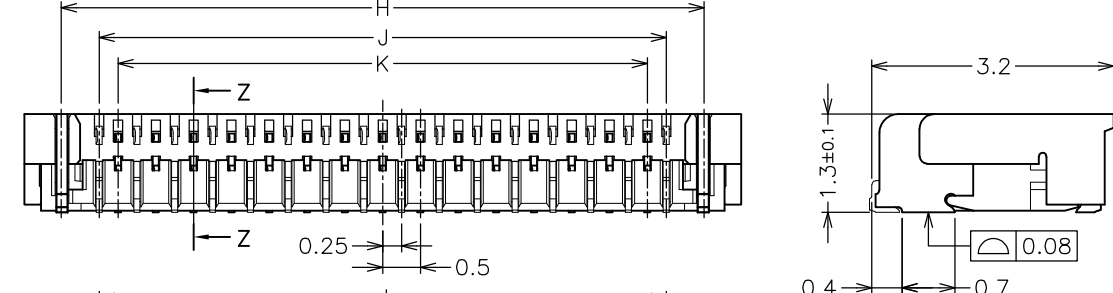
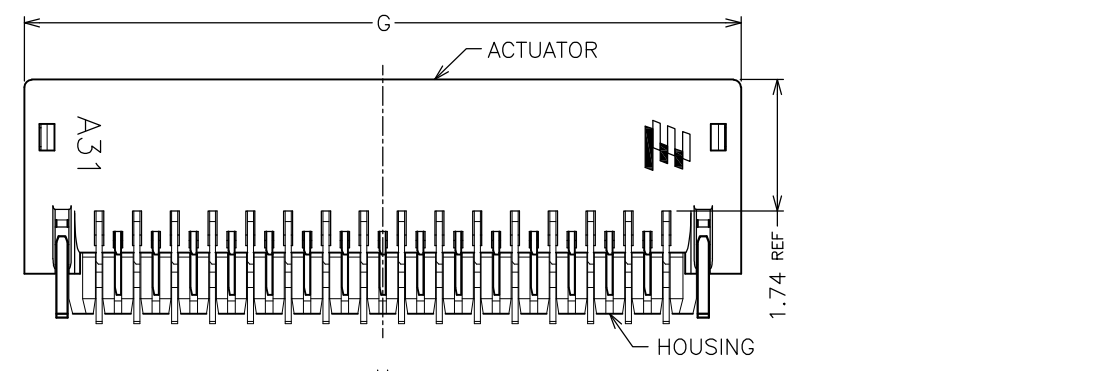
NAME 名称 0.25FPC BF-L-1.3H
 1.3mmH, 3.2mmW, GOLD PLATE

SIZE A3 CAGE CODE 00779 DRAWING NO 番号 C-2040832 RESTRICTED TO

WEIGHT CUSTOMER DRAWING SCALE 尺度 NTS SHEET 1 OF 2 REV E

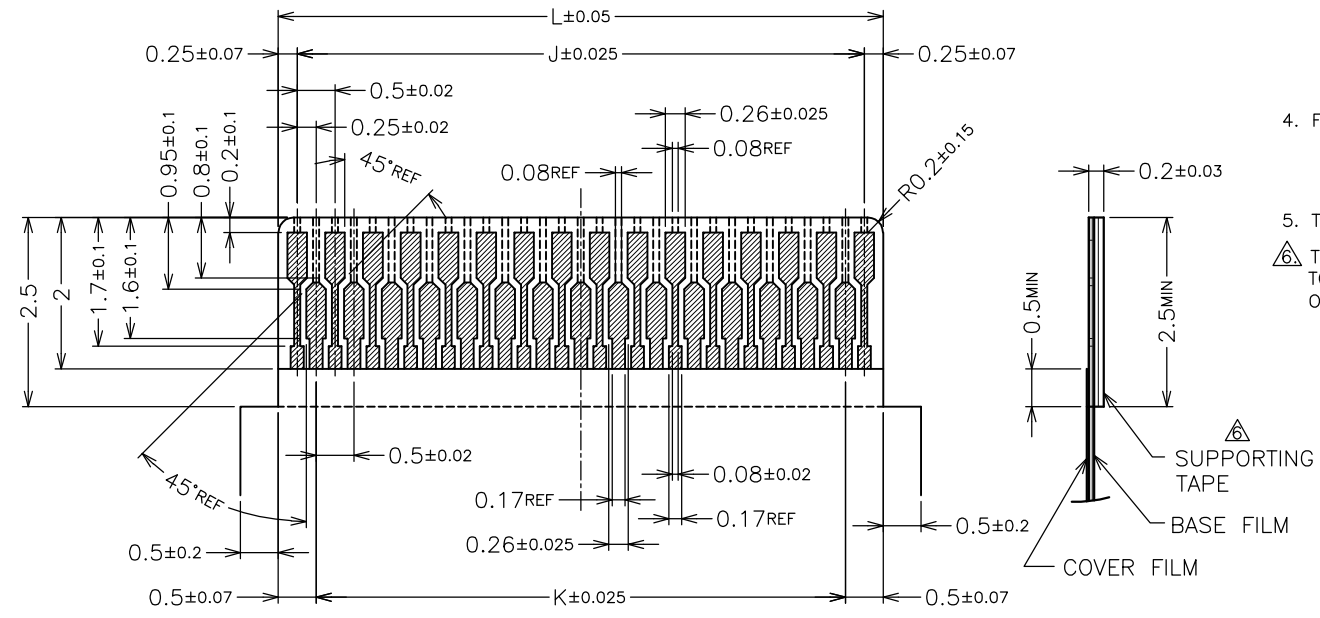
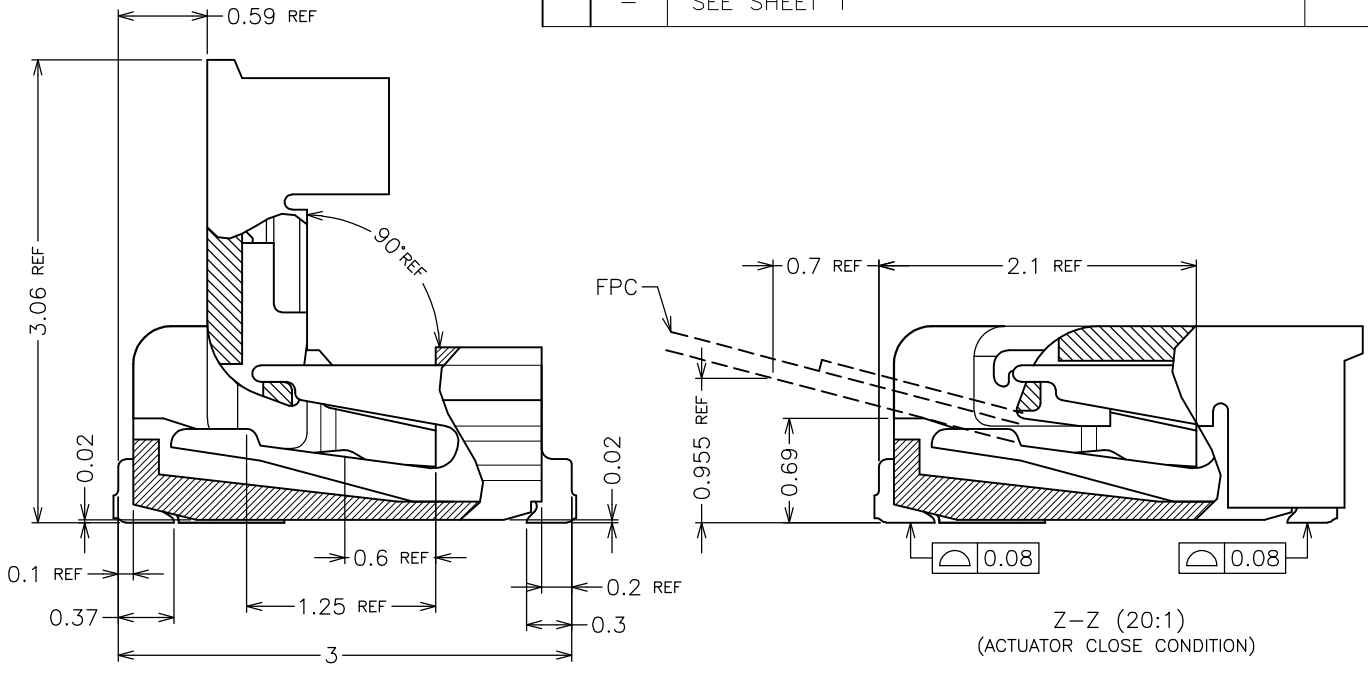
THIS DRAWING IS UNPUBLISHED. RELEASED FOR PUBLICATION NOV. 2008.
 © COPYRIGHT 2008 By - ALL RIGHTS RESERVED.

LOC	DIST	REVISIONS			
J		変更			
P	LTR	DESCRIPTION	DATE	DWN	APVD
-	-	SEE SHEET 1	-	-	-



RECOMMENDED PCB PATTERN DIMENSION

15.5	14.5	15.0	16.0	17.0	61	2-2040832-6
13.0	12.0	12.5	13.5	14.5	51	2-2040832-1
11.5	10.5	11.0	12.0	13.0	45	1-2040832-8
10.5	9.5	10.0	11.0	12.0	41	1-2040832-6
9.5	8.5	9.0	10.0	11.0	37	1-2040832-4
6.5	5.5	6.0	7.0	8.0	25	2040832-8
L	K	J	H	G	POS.	CONN. PART NO



RECOMMENDED FPC PATTERN DIMENSION
 CONDUCTOR : GOLD OVER NICKEL PLATING (Au 0.1μm MIN.)

- MATERIAL
 HOUSING : GRASS FULLED LCP, UL94V-0 (COLOR : NATURAL)
 ACTUATOR : GRASS FULLED PPS, UL94V-0 (COLOR : BLACK)
 FRONT CONTACT : COPPER ALLOY
 REAR CONTACT : COPPER ALLOY
 SOLDER PEG : COPPER ALLOY
- FINISH
 FRONT CONTACT : GOLD OVER NICKEL PLATING
 REAR CONTACT : GOLD OVER NICKEL PLATING
 SOLDER PEG : TIN OVER NICKEL PLATING
- THIS PRODUCT IS THE NICKEL DAM TYPE.
 THE SUPPORTING TAPE OF FPC IS RECOMMENDED TO USE THE POLYIMIDE OR THE EQUIVALENT MATERIAL OF THE THICKNESS OF 50μm OR MORE.

- 材質
 ハウジング：ガラス繊維入りLCP樹脂 UL94V-0（色：乳白色）
 アクチュエーター：ガラス繊維入りPPS樹脂 UL94V-0（色：黒）
 フロントコンタクト：銅合金
 リアコンタクト：銅合金
 ソルダーペグ：銅合金
- めっき
 フロントコンタクト：金めっき（ニッケル下地めっき）
 リアコンタクト：金めっき（ニッケル下地めっき）
 ソルダーペグ：スズめっき（ニッケル下地めっき）
- 本品は、Ni ダム仕様のコネクタである。
 FPC の補強板には、厚さ50μm 以上のポリイミドまたは相当材の使用を推奨する。

THIS DRAWING IS A CONTROLLED DOCUMENT.

DIMENSIONS: 単位：mm	TOLERANCES UNLESS OTHERWISE SPECIFIED: 一般公差	DWN	TE Connectivity		
	0 PLC ±	CHK	NAME 名称		
	1 PLC ±	APVD	0.25FPC BF-L-1.3H		
	2 PLC ±	PRODUCT SPEC 製品規格	1.3mmH, 3.2mmW, GOLD PLATE		
	3 PLC ±	APPLICATION SPEC 取付適用規格	SIZE	CAGE CODE	DRAWING NO 番号
	4 PLC ±	WEIGHT	A3	00779	G-2040832
	ANGLES ±	CUSTOMER DRAWING	SCALE 尺度	NTS	SHEET 2 OF 2
MATERIAL 材料	FINISH 仕上	RESTRICTED TO	REV E		