



Chipsmall Limited consists of a professional team with an average of over 10 year of expertise in the distribution of electronic components. Based in Hongkong, we have already established firm and mutual-benefit business relationships with customers from,Europe,America and south Asia,supplying obsolete and hard-to-find components to meet their specific needs.

With the principle of “Quality Parts,Customers Priority,Honest Operation,and Considerate Service”,our business mainly focus on the distribution of electronic components. Line cards we deal with include Microchip,ALPS,ROHM,Xilinx,Pulse,ON,Everlight and Freescale. Main products comprise IC,Modules,Potentiometer,IC Socket,Relay,Connector.Our parts cover such applications as commercial,industrial, and automotives areas.

We are looking forward to setting up business relationship with you and hope to provide you with the best service and solution. Let us make a better world for our industry!



Contact us

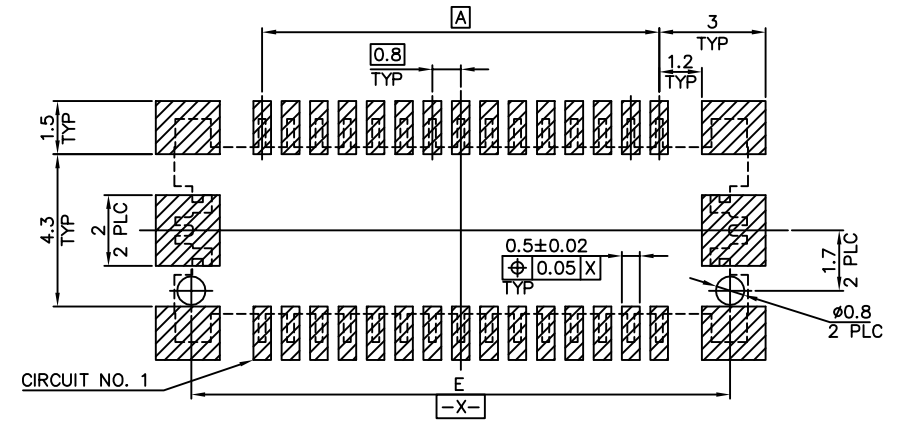
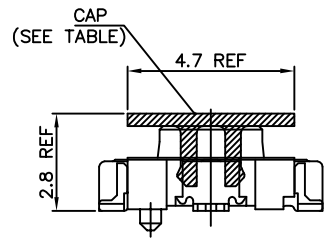
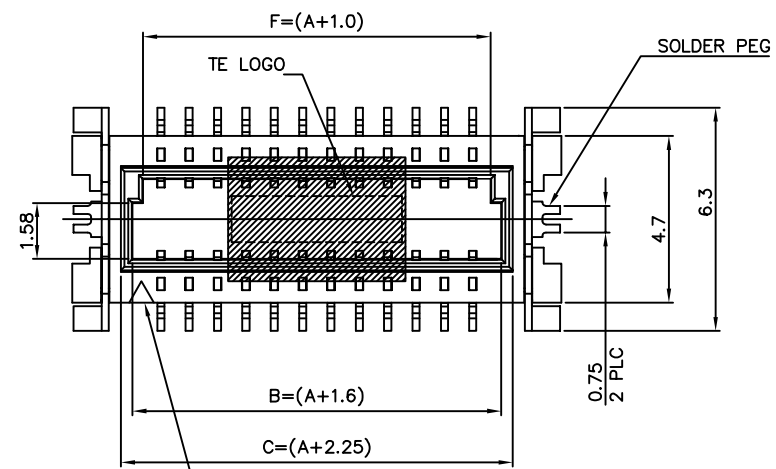
Tel: +86-755-8981 8866 Fax: +86-755-8427 6832

Email & Skype: info@chipsmall.com Web: www.chipsmall.com

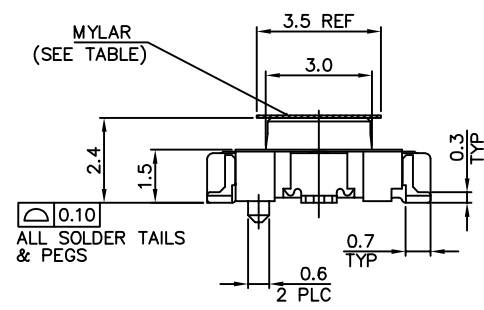
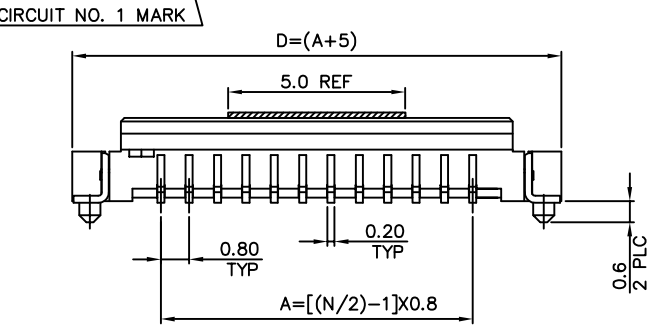
Address: A1208, Overseas Decoration Building, #122 Zhenhua RD., Futian, Shenzhen, China



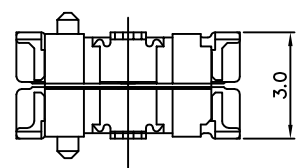
LOC	DIST	REVISIONS			
P	LTR	DESCRIPTION	DATE	DWN	APVD
DW	-	ECR-15-001514	10OCT15	I.T	W.H



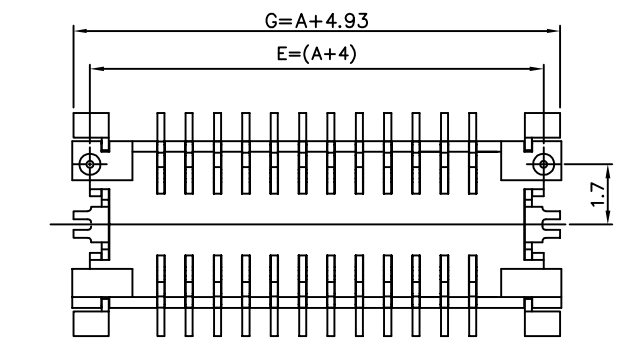
TOLERANCE: ±0.05
 RECOMMENDED PCB LAYOUT
 (TOP VIEW)



- NOTES:
- MATERIAL:
 HOUSING: PA6T, WITH 30% GF, UL 94V-0, NATURAL COLOR.
 CONTACTS: PHOSPHOR BRONZE.
 PEGS: BRASS.
 CAP: PA6T, WITH 30% GF, UL 94V-0, NATURAL COLOR.
 MYLAR: POLYSTYRENES, ORANGE COLOR.
 - FINISH:
 CONTACTS:
 PLATING A: GOLD FLASH.
 PLATING B: 2.54mm [100m] MIN. MATTE-TIN.
 (WITH ENTIRE CONTACT UNDERPLATED 1.27mm [50m] MIN. NICKEL)
 PEGS: 2.54mm [100m] MIN. MATTE-TIN OVER 1.27mm [50m] MIN. NICKEL.
 RECOMMENDED PART NUMBER OF MATING RECEPTACLE: X-2041201-X
 - REFLOW SOLDER CAPABLE TO 260°C AS PER TEC-109-201, CONDITION B.
 - LOW HALOGEN SPEC:
 CHLORINE(Cl): 900ppm MAX.
 BROMIN(Br): 900ppm MAX.



△ STACKING HEIGHT



PACKAGE	PICK UP MATERIAL	CONTACT PLATING	WEIGHT (GRAMS)	DIMENSIONS								NO. OF CONTACTS	PART NUMBER
				G	F	E	D	C	B	A			
SHEET 2.	MYLAR	B	0.199	13.73	9.8	12.8	13.8	11.05	10.4	8.8	24	2-2041173-4	
SHEET 3.	MYLAR	B	0.125	8.93	5	8	9	6.25	5.6	4.0	12	1-2041173-2	
SHEET 2.	MYLAR	A	0.125	8.93	5	8	9	6.25	5.6	4.0	12	2041173-4	
SHEET 3.	CAP	B	0.125	8.93	5	8	9	6.25	5.6	4.0	12	2041173-3	
SHEET 2.	MYLAR	A	0.199	13.73	9.8	12.8	13.8	11.05	10.4	8.8	24	2041173-2	

THIS DRAWING IS A CONTROLLED DOCUMENT.

DWN: A. WU, 16NOV2009
 CHK: S. CHIEN, 16NOV2009
 APVD: W. KODAMA, 16NOV2009

NAME: BOARD-TO-BOARD CONNECTOR, 0.8 MM PITCH, FINE-STACK, 3H, PLUG

PRODUCT SPEC: 108-57488
 APPLICATION SPEC: -

SIZE: A3, CAGE CODE: 00779, DRAWING NO: C=2041173

RESTRICTED TO: -

WEIGHT: SEE TABLE
 MATERIAL: SEE NOTE

CUSTOMER DRAWING

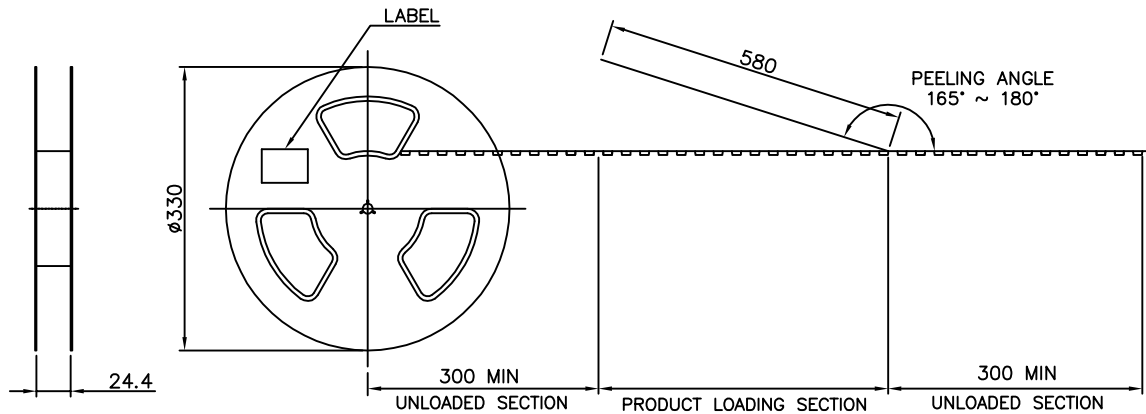
SCALE: - SHEET: 1 of 3 REV: C

THIS DRAWING IS UNPUBLISHED. RELEASED FOR PUBLICATION
 © COPYRIGHT 2009 BY TYCO ELECTRONICS CORPORATION. ALL RIGHTS RESERVED.

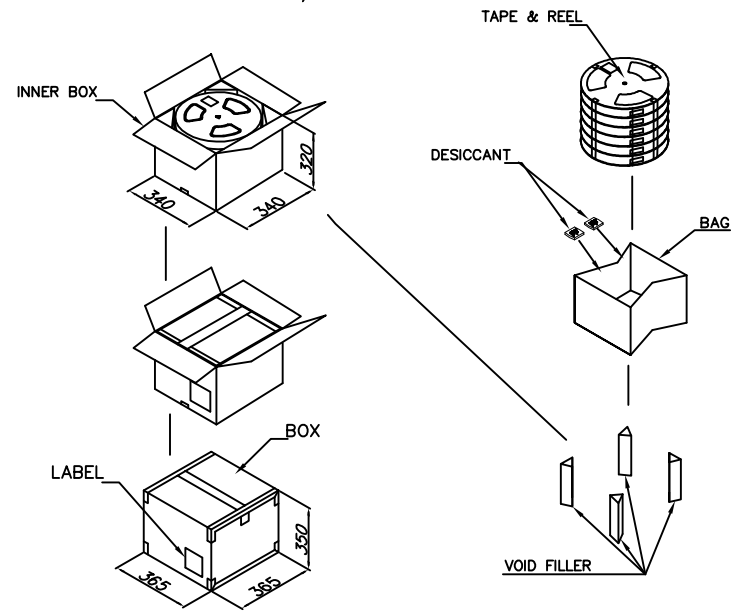
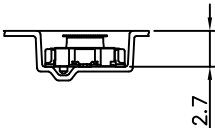
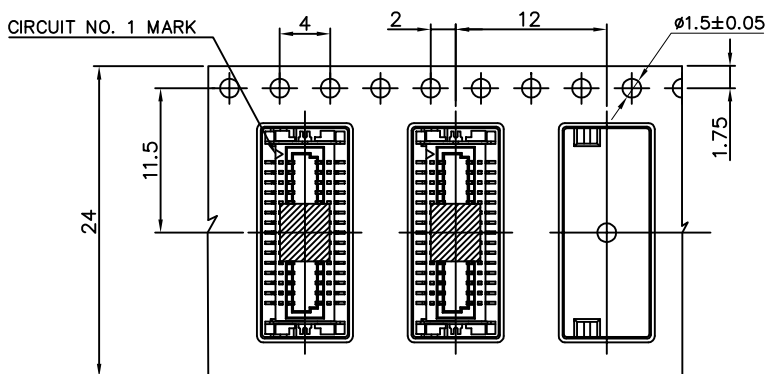
LOC	DIST	REVISIONS			
P	LTR	DESCRIPTION	DATE	DWN	APVD
DW	-	SEE SHEET 1.			

NOTES:

- MATERIAL:
 BOX: FIBREBOARD, CORRUGATED, DOUBLE WALL.
 COVER TAPE: POLYSTYRENES, 120°C HEAT-RESISTANT TEMPERATURE, TRANSPARENT COLOR.
 CARRIER TAPE: POLYSTYRENES, 120°C HEAT-RESISTANT TEMPERATURE, TRANSPARENT COLOR.
 REEL: HIPS, 70°C HEAT-RESISTANT TEMPERATURE, BLUE COLOR.
 BAG: POLYETHYLENES, 100°C HEAT-RESISTANT TEMPERATURE, TRANSPARENT COLOR.
- EACH BAG SHALL BE INCLUDED DESICCANT.
- PEELING STRENGTH: 0.1 ~ 1.3 N (10 ~ 130 GRAMS).
- PEELING SPEED: 300 mm/min.




USER DIRECTION OF UNREELING →



QUANTITY	PCS/TAPE	REELS/BOX	G/W (Kg)	N/W (Kg)	NO. OF CONTACTS
15000 PCS	1500	10	10.12	3.25	24
			9.25	2.35	12

THIS DRAWING IS A CONTROLLED DOCUMENT.

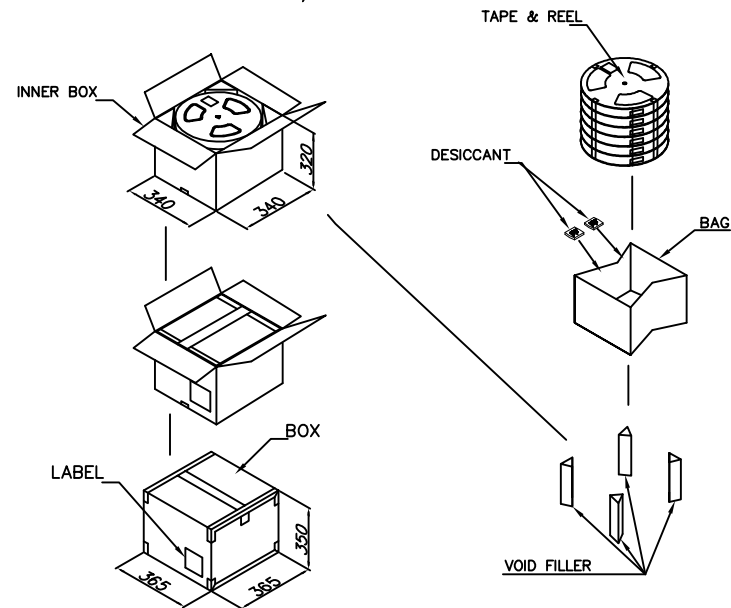
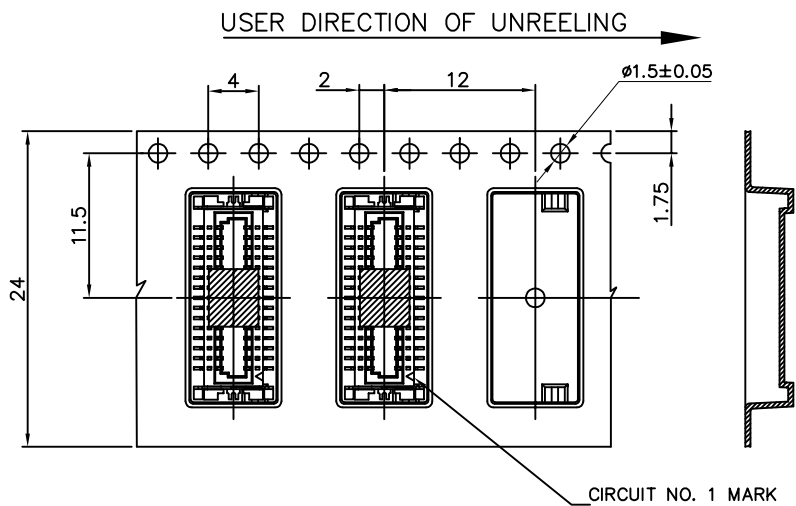
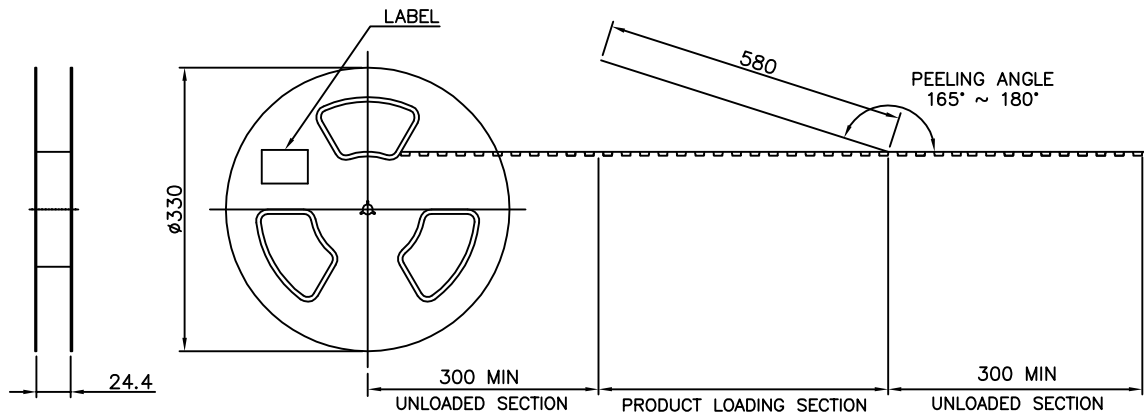
DWN	A. WU	16NOV2009	 TE Connectivity
CHK	S. CHIEN	16NOV2009	
APVD	W. KODAMA	16NOV2009	
NAME			
PRODUCT SPEC	BOARD-TO-BOARD CONNECTOR, 0.8 MM PITCH, FINE-STACK, 3H, PLUG		
APPLICATION SPEC	SIZE		
WEIGHT	A3	00779	C=2041173
CUSTOMER DRAWING	SCALE	SHEET	2 of 3
		REV	C

THIS DRAWING IS UNPUBLISHED. RELEASED FOR PUBLICATION
 © COPYRIGHT 2009 BY TYCO ELECTRONICS CORPORATION. ALL RIGHTS RESERVED.

LOC	DIST	REVISIONS			
P	LTR	DESCRIPTION	DATE	DWN	APVD
DW	-	SEE SHEET 1.			


NOTES:


- MATERIAL:
 BOX: FIBREBOARD, CORRUGATED, DOUBLE WALL.
 COVER TAPE: POLYSTYRENES, 120°C HEAT-RESISTANT TEMPERATURE, TRANSPARENT COLOR.
 CARRIER TAPE: POLYSTYRENES, 120°C HEAT-RESISTANT TEMPERATURE, TRANSPARENT COLOR.
 REEL: HIPS, 70°C HEAT-RESISTANT TEMPERATURE, BLUE COLOR.
 BAG: POLYETHYLENES, 100°C HEAT-RESISTANT TEMPERATURE, TRANSPARENT COLOR.
- EACH BAG SHALL BE INCLUDED DESICCANT.
- PEELING STRENGTH: 0.1 ~ 1.3 N (10 ~ 130 GRAMS).
- PEELING SPEED: 300 mm/min.



15000 PCS	1500	10	9.25	2.35	12
QUNTANTY	PCS/TAPE	REELS/BOX	G/W (Kg)	N/W (Kg)	NO. OF CONTACTS

THIS DRAWING IS A CONTROLLED DOCUMENT.

DWN	A. WU	16NOV2009	 TE Connectivity			
CHK	S. CHIEN	16NOV2009				
APVD	W. KODAMA	16NOV2009				
NAME						
PRODUCT SPEC			BOARD-TO-BOARD CONNECTOR, 0.8 MM PITCH, FINE-STACK, 3H, PLUG			
APPLICATION SPEC			SIZE	CAGE CODE	DRAWING NO	RESTRICTED TO
WEIGHT			A3	00779	C=2041173	-
CUSTOMER DRAWING			SCALE	SHEET	3 of 3	REV C

DIMENSIONS:	TOLERANCES UNLESS OTHERWISE SPECIFIED:
MM	
	0 PLC ± -
	1 PLC ± -
	2 PLC ± -
	3 PLC ± -
	4 PLC ± -
	ANGLES ± -
MATERIAL	FINISH

