



Chipsmall Limited consists of a professional team with an average of over 10 year of expertise in the distribution of electronic components. Based in Hongkong, we have already established firm and mutual-benefit business relationships with customers from,Europe,America and south Asia,supplying obsolete and hard-to-find components to meet their specific needs.

With the principle of "Quality Parts,Customers Priority,Honest Operation,and Considerate Service",our business mainly focus on the distribution of electronic components. Line cards we deal with include Microchip,ALPS,ROHM,Xilinx,Pulse,ON,Everlight and Freescale. Main products comprise IC,Modules,Potentiometer,IC Socket,Relay,Connector.Our parts cover such applications as commercial,industrial, and automotives areas.

We are looking forward to setting up business relationship with you and hope to provide you with the best service and solution. Let us make a better world for our industry!



## Contact us

Tel: +86-755-8981 8866 Fax: +86-755-8427 6832

Email & Skype: info@chipsmall.com Web: www.chipsmall.com

Address: A1208, Overseas Decoration Building, #122 Zhenhua RD., Futian, Shenzhen, China



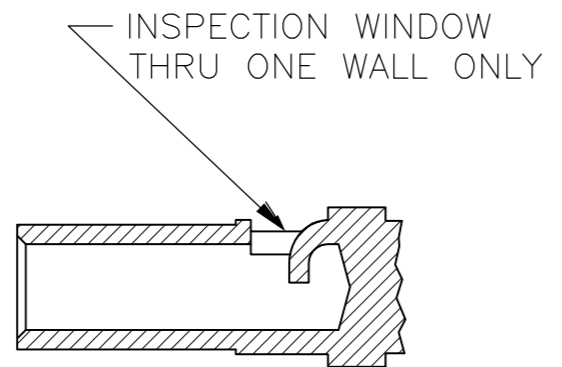
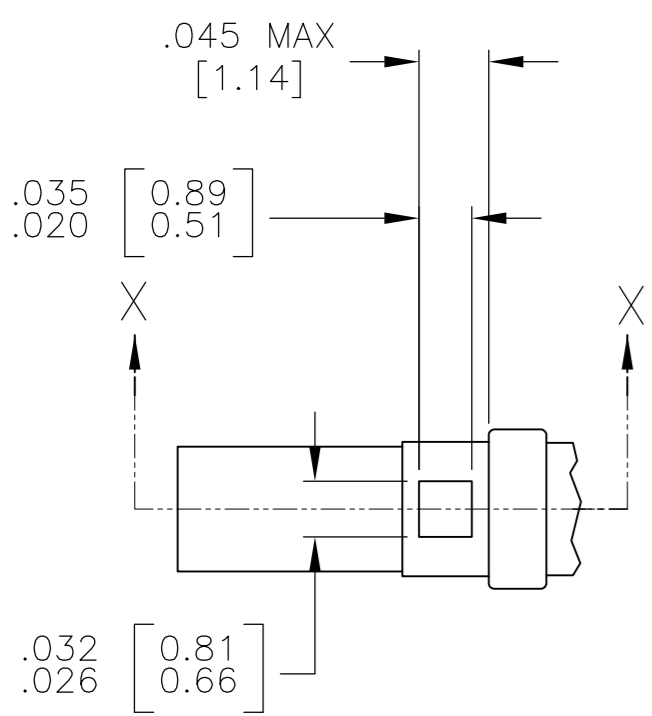
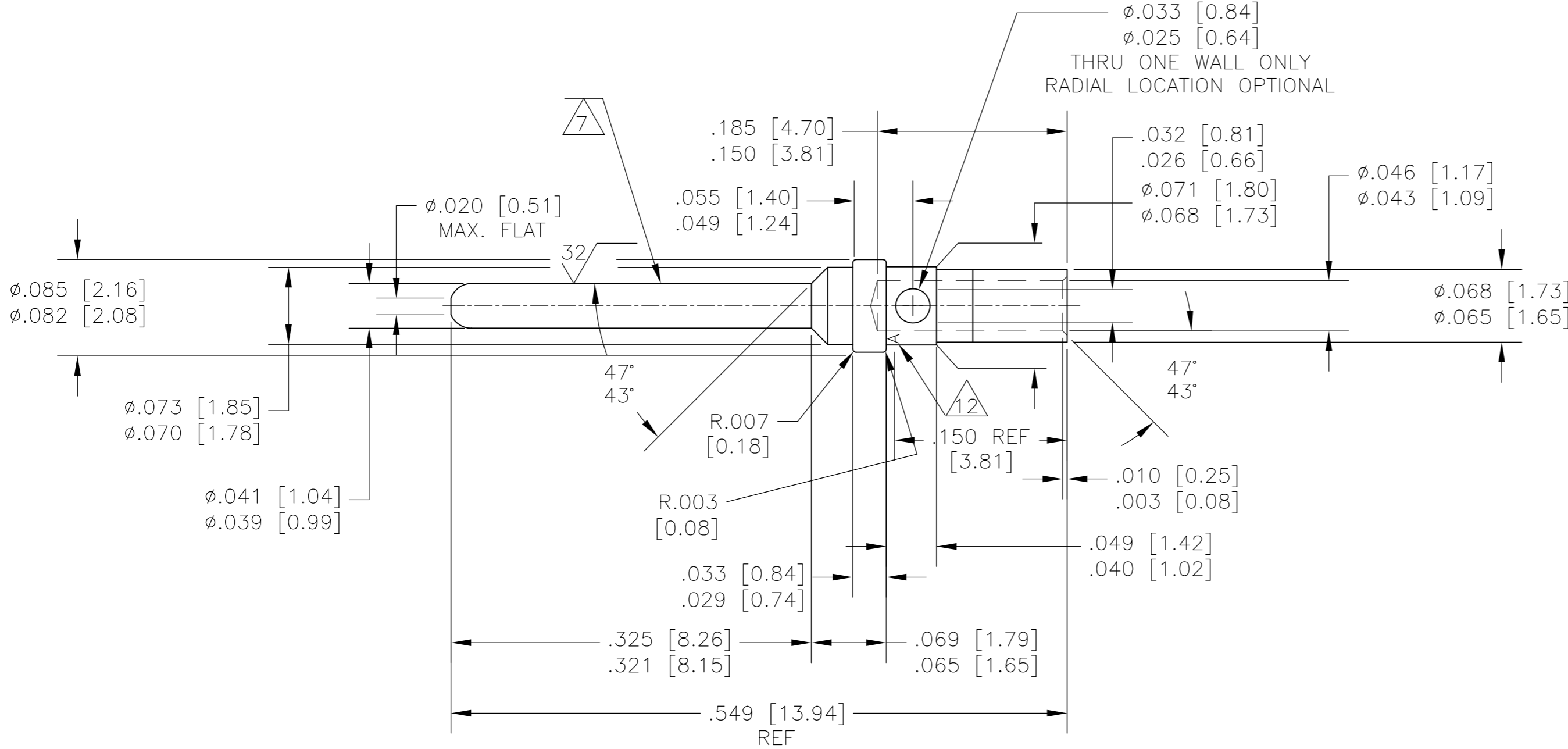
THIS DRAWING IS UNPUBLISHED. RELEASED FOR PUBLICATION  
 © COPYRIGHT - By - ALL RIGHTS RESERVED.

LOC		DIST		REVISIONS			
P	LTR	DESCRIPTION		DATE	DWN	APVD	
	V	REV PER ECO-12-007856		25APR12	PY	RL	

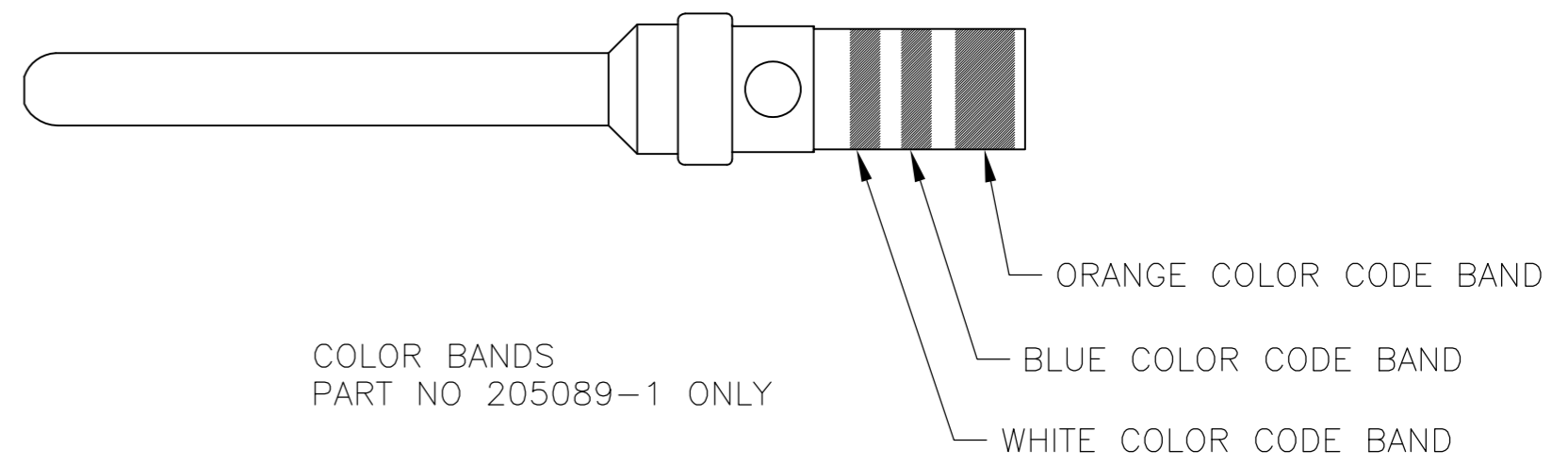
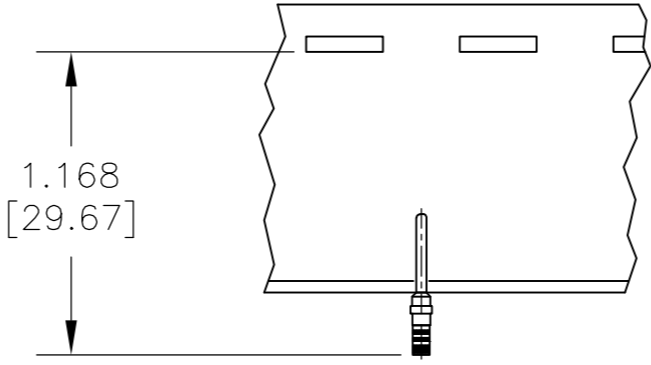
WHEN ORDERING CONTACT ON TAPE, ORDER BY THE TAPE NUMBER PLUS THE PACKAGING CODE AS FOLLOWS:

- FOR USE WITH AMP TAPETRONIC, PNEUMATIC TOOL-  
 A. 1000 PARTS TO A BOX ADD PACKAGING CODE: 1MBOX
- FOR USE WITH 4/8 INDENT STRIPPER CRIMP-  
 A. 1000 PARTS TO A REEL ADD PACKAGING CODE: 1MREEL  
 B. 5000 PARTS TO A REEL ADD PACKAGING CODE: 5MREEL

- MATERIAL: COPPER ALLOY PER MIL-C-39029 & MIL-DTL-24308.
- ALL DIMENSIONS APPLY AFTER PLATING.
- THIS DRAWING COMPLIES WITH SPECIFICATION MIL-C-39029/64 & M24308/11-1.
- ALL DIAMETERS CONCENTRIC WITH EACH OTHER WITHIN .004 T.I.R.
- PIN MATES WITH SOCKET 205090 (MIL-C-39029/63).
- ALL SURFACES HAVE  $\sqrt{63}$  OR BETTER FINISH, UNLESS SHOWN.
- POINT OF PLATING MEASUREMENT .188 [4.78] FROM TIP OF PIN.
- PLATING: GOLD PER ASTM-B-488 (TYPEII) OVER NICKEL PER QQ-N-290.
- PLATING: GOLD PER ASTM-B-488 (TYPEII) OVER COPPER PER MIL-C-14550, CLASS 4.
- PLATING: GOLD PER ASTM-B-488 (TYPE II, CLASS 0) OVER NICKEL PER QQ-N-290.
- PLATING:  
 MATING AREA: GOLD PER ASTM-B-488 (TYPE II) OVER NICKEL PER QQ-N-290.  
 NON MATING AREA: GOLD PER ASTM-B-488 OVER NICKEL PER QQ-N-290.
- MANUFACTURER'S LOGO ("A" OR "- . .") LOCATION OPTIONAL



SECTION X-X



WITHOUT COLOR CODE	8	1-205089-1
WITHOUT COLOR CODE	10	1-205089-0
WITHOUT COLOR CODE	9	205089-4
CONTACT ON TAPE	SAME AS -1	205089-2
AS SHOWN	11	205089-1
DESCRIPTION	PLATING	PART NO.

DIMENSIONS:		TOLERANCES UNLESS OTHERWISE SPECIFIED:		DWN		25AUG2003		TE Connectivity	
INCHES		0 PLC ± -		J. KAISER		10-13-03		NAME	
1 PLC ± -		1 PLC ± -		CHK D. MILLER		PRODUCT SPEC		PIN SIZE 20 CONTACT, AMPLIMITE	
2 PLC ± -		2 PLC ± -		APVD D. MILLER		APPLICATION SPEC		SIZE CAGE CODE DRAWING NO	
3 PLC ± -		3 PLC ± -		10-13-03		WEIGHT		A2 00779 C=205089	
4 PLC ± -		4 PLC ± -		MATERIAL		RESTRICTED TO		SCALE SHEET	
ANGLES ± -		FINISH		1		CUSTOMER DRAWING		10:1 1 of 1	
								REV V	