



Chipsmall Limited consists of a professional team with an average of over 10 year of expertise in the distribution of electronic components. Based in Hongkong, we have already established firm and mutual-benefit business relationships with customers from,Europe,America and south Asia,supplying obsolete and hard-to-find components to meet their specific needs.

With the principle of “Quality Parts,Customers Priority,Honest Operation,and Considerate Service”,our business mainly focus on the distribution of electronic components. Line cards we deal with include Microchip,ALPS,ROHM,Xilinx,Pulse,ON,Everlight and Freescale. Main products comprise IC,Modules,Potentiometer,IC Socket,Relay,Connector.Our parts cover such applications as commercial,industrial, and automotives areas.

We are looking forward to setting up business relationship with you and hope to provide you with the best service and solution. Let us make a better world for our industry!



## Contact us

Tel: +86-755-8981 8866 Fax: +86-755-8427 6832

Email & Skype: info@chipsmall.com Web: www.chipsmall.com

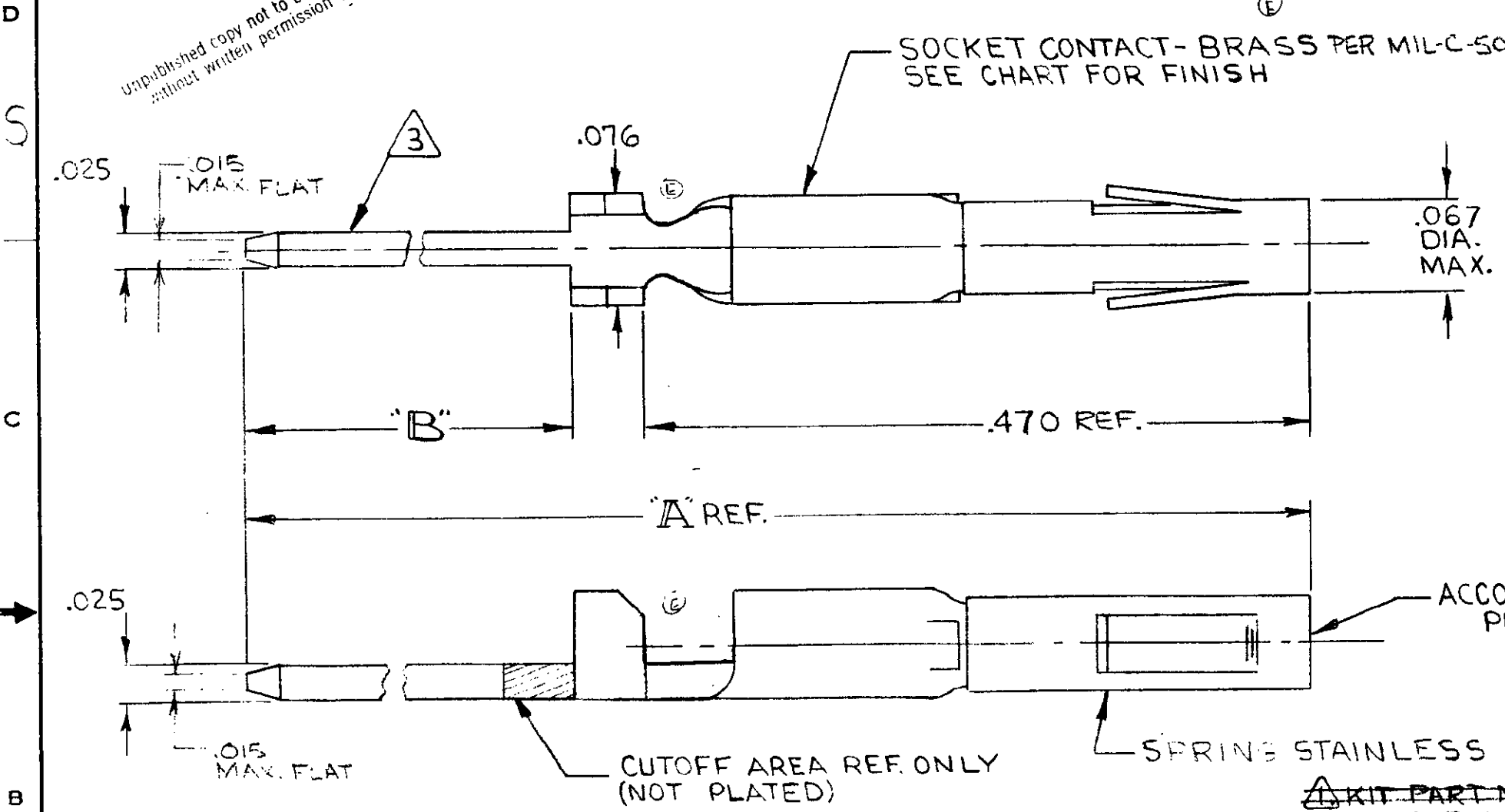
Address: A1208, Overseas Decoration Building, #122 Zhenhua RD., Futian, Shenzhen, China



© 1970 BY AMP INCORPORATED. ALL RIGHTS RESERVED. AMP PRODUCTS COVERED BY PATENTS AND/OR PATENTS PENDING.

Unpublished copy not to be reproduced without written permission of AMP Incorporated.

REVISIONS				
ZONE	LTR	DESCRIPTION	DATE	APPROVED
	A	ADDED NOTE 3 PER ECN A-97	10/25/74	J.P.S.
	A1	1--0 RELEASED ECN A-930	12/15/74	J.P.S.
	A2	-4 & 1-2 RELEASED A-9875 A-97	1/6/77	J.P.S.
	A3	DELETED -4, -5 & -6 ECN B-181	2/19/77	J.P.S.
	B	ADDED * TO -7 PER ECN B-345	9/22/77	J.P.S./J.D.
	C	ADDED * TO -8 PER ECN B-394	10/12/77	J.P.S.
	D	ADDED * TO 1--1 PER ECN B-464	12/19/77	J.P.S.
	E	REV. PER ECN C-229	3-12-78	J.P.S.
	F	REV. PER ECN D-363	10/25/74	J.P.S.
	G	ADDED (G) PER ECN E-663	9-2	J.P.S.
	H	REV. PER ECN J-260	2/5/82	J.P.S.
	J	REVISED PER ECN J-806	2/20/82	J.P.S.
	K	OBSOLETE -8 & 1--1 PER ECN R-2733	3-2-87	J.P.S.
	M	REACTIVATED 1--1 PER ECN DF-0001	7-20-87	J.P.S.
	N	REACTIVATE -8 DF 4925 PY	2-19-92	J.P.S.
	P	REV. PER DF-5530	7-5-94	J.P.S.
	R	REV PER 0600-2117-94	6-5-94	J.P.S.



1. KIT PART NO. INDICATES 100 CONTACTS PER BAG.  
 2. GOLD PLATING PER MIL-G-45204, NICKEL PLATING PER QQ-N-290, TIN PLATING PER MIL-T-10727.

- 3. AT LEAST TWO SHARP CORNERS WHOSE RADIUS SHALL NOT EXCEED .003.
- 4. GOLD FLASH OVER .000030 MIN NICKEL ON ENTIRE CONTACT, WITH .000020 MIN. GOLD ON ELECTRICAL ENGAGEMENT AREA ONLY.
- 5. CAUTION: USE OF TIN PLATED TERMINALS IN CERTAIN ENVIRONMENTS MAY CAUSE NON-CONFORMANCE TO AMP PRODUCT SPECIFICATION 108-10015.

1-205172-2	1.195	.685	.000030 MIN GOLD/.000050 MIN. NI	3 *	1-204330-2
1-205172-1	.981	.471	.000030 MIN. GOLD/.000050 MIN. NI	2 *	1-204330-1
1-205172-0	.767	.257	.000030 MIN. GOLD/.000050 MIN. NI	1 *	1-204330-0
205172-9	1.195	.685	SELECTIVE .000030 GOLD/.000030 NICKEL	4 3 *	204330-9
205172-8	.981	.471	SELECTIVE .000030 GOLD/.000030 NICKEL	4 2 *	204330-8
205172-7	.767	.257	SELECTIVE .000030 GOLD/.000030 NICKEL	4 1 *	204330-7
205172-3	1.195	.685	TIN	3	204330-3
205172-2	.767	.471	TIN	2	204330-2
205172-1	.767	.257	TIN	1	204330-1
KIT NO.	"A"	"B"	CONTACT FINISH	NO. OF TERMINATIONS	CONTACT PART NO.

UNLESS OTHERWISE SPECIFIED DIMENSIONS ARE IN INCHES TOLERANCES ON: DECIMALS ± .005 ANGLES ± #	CONTRACT NO.		<b>AMP</b> AMP INCORPORATED HARRISBURG, PENNSYLVANIA
	DR. <i>2. Moringstar</i> 10-15-70	CHK. <i>[Signature]</i> 10-19-70	
MATERIAL  SEE CALLOUT	NAME SOCKET CONTACT, TYPE XI, #20 WRAP TYPE, LOOSE PIECE, .025x.025, KIT		SIZE <b>B</b>
	CODE IDENT NO. <b>00779</b>		
OTHER APPD		NUM. IN <b>205172</b>	SCALE 10:1
		SHEET 10 OF 1	