



Chipsmall Limited consists of a professional team with an average of over 10 year of expertise in the distribution of electronic components. Based in Hongkong, we have already established firm and mutual-benefit business relationships with customers from,Europe,America and south Asia,supplying obsolete and hard-to-find components to meet their specific needs.

With the principle of “Quality Parts,Customers Priority,Honest Operation,and Considerate Service”,our business mainly focus on the distribution of electronic components. Line cards we deal with include Microchip,ALPS,ROHM,Xilinx,Pulse,ON,Everlight and Freescale. Main products comprise IC,Modules,Potentiometer,IC Socket,Relay,Connector.Our parts cover such applications as commercial,industrial, and automotives areas.

We are looking forward to setting up business relationship with you and hope to provide you with the best service and solution. Let us make a better world for our industry!



Contact us

Tel: +86-755-8981 8866 Fax: +86-755-8427 6832

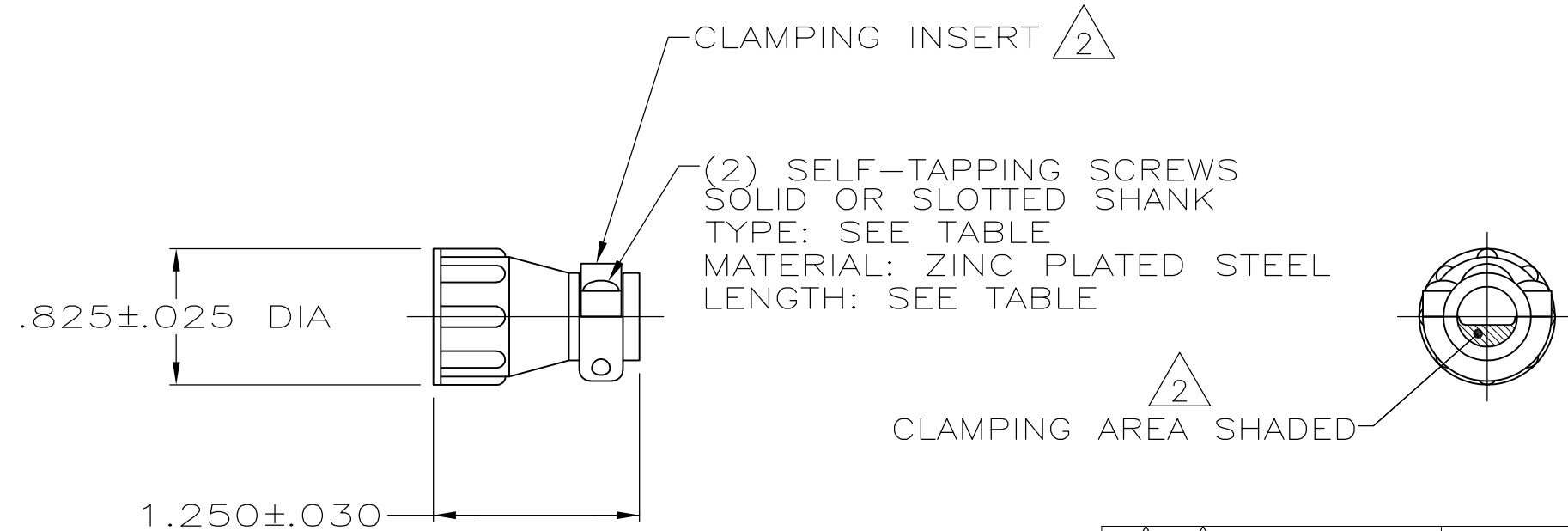
Email & Skype: info@chipsmall.com Web: www.chipsmall.com

Address: A1208, Overseas Decoration Building, #122 Zhenhua RD., Futian, Shenzhen, China



THIS DRAWING IS UNPUBLISHED. RELEASED FOR PUBLICATION
 © COPYRIGHT - By - ALL RIGHTS RESERVED.

LOC	DIST	REVISIONS					
		P	LTR	DESCRIPTION	DATE	DWN	APVD
-	-		V	REVISED PER ECO-13-000071	03JAN12	KH	MZ



- 1 PARTS PACKAGED UNASSEMBLED.
- 2 CABLE CLAMPING AREA ADJUSTABLE FROM .004 TO .055 SQ IN BY REVERSING CLAMPING INSERTS.
- 3 .329 MAXIMUM CABLE OUTSIDE DIAMETER.
- 4 BULK PACKAGED KITS TO BE ORDERED IN MULTIPLES OF 800 ONLY.
- 5 OBSOLETE PART NUMBER.
- 6 STAINLESS STEEL (NON MAGNATIC).
- 7 CABLE CLAMP WITH NON-MAGNETIC STAINLESS STEEL SCREWS.
- 8 ZINC PLATED STEEL, NON-HEXAVALENT CHROMATE.
- 9 OBSOLETE PARTS: OBSOLETE CIS STREAMLINING PER D.RENAUD/D.SINISI

⁷ / ₄ BULK	⁶	.50 ^{±.00} _{-.05}	#5-20	1-206062-9
⁴ BULK	⁸	.50 ^{±.00} _{-.05}	#5-20	1-206062-7
INDIVIDUAL	⁸	.38 ^{±.00} _{-.05}	#5-20	1-206062-6
⁴ BULK	⁸	.38 ^{±.00} _{-.05}	#5-20	1-206062-5
INDIVIDUAL	⁸	.50 ^{±.00} _{-.05}	#5-20	1-206062-4
INDIVIDUAL	⁸	.62 ^{±.00} _{-.05}	#5-20	1-206062-3
⁷ INDIVIDUAL	⁶	.50 ^{±.00} _{-.05}	#5-20	1-206062-2
⁷ SUPERSEDED BY 1-206062-3	⁸ INDIVIDUAL	.62 ^{±.00} _{-.05}	#5-20	1-206062-1
⁹ OBSOLETE	⁸ SMALL PACK	.38 ^{±.00} _{-.05}	#5-20	1-206062-0
AMP BRAZIL USE ONLY	INDIVIDUAL	12mm ^{±.0} _{-.8}	3mm-20	⁵ 206062-9
AMP BRAZIL USE ONLY	INDIVIDUAL	10mm ^{±.0} _{-.8}	3mm-20	⁵ 206062-8
⁴ SUPERSEDED BY 1-206062-7	⁸ BULK	.50 ^{±.00} _{-.05}	#5-20	206062-4
⁴ SUPERSEDED BY 1-206062-4	⁸ INDIVIDUAL	.50 ^{±.00} _{-.05}	#5-20	206062-3
⁴ SUPERSEDED BY 1-206062-5	⁸ BULK	.38 ^{±.00} _{-.05}	#5-20	206062-2
⁴ SUPERSEDED BY 1-206062-6	⁸ INDIVIDUAL	.38 ^{±.00} _{-.05}	#5-20	206062-1
PACKAGING	SCREW FINISH	SCREW LENGTH	SCREW TYPE	PART NUMBER

THIS DRAWING IS A CONTROLLED DOCUMENT.		DWN 4/29/91 A GRAFF	STE TE Connectivity	
		CHK 7-22-92 W.G.LENKER		
DIMENSIONS: INCHES		APVD -	NAME	
TOLERANCES UNLESS OTHERWISE SPECIFIED:		PRODUCT SPEC -	CABLE CLAMP KIT, STANDARD, SHELL SIZE 11, CPC	
0 PLC ± -		APPLICATION SPEC -	RESTRICTED TO	
1 PLC ± -		WEIGHT -	SIZE A3	CAGE CODE 00779
2 PLC ± -		DRAWING NO C-206062		REV V
3 PLC ± -		CUSTOMER DRAWING		
4 PLC ± -		SCALE NTS		
ANGLES ± -		SHEET 1 OF 1		
FINISH -		REV V		
MATERIAL THERMOPLASTIC				