



Chipsmall Limited consists of a professional team with an average of over 10 year of expertise in the distribution of electronic components. Based in Hongkong, we have already established firm and mutual-benefit business relationships with customers from,Europe,America and south Asia,supplying obsolete and hard-to-find components to meet their specific needs.

With the principle of “Quality Parts,Customers Priority,Honest Operation,and Considerate Service”,our business mainly focus on the distribution of electronic components. Line cards we deal with include Microchip,ALPS,ROHM,Xilinx,Pulse,ON,Everlight and Freescale. Main products comprise IC,Modules,Potentiometer,IC Socket,Relay,Connector.Our parts cover such applications as commercial,industrial, and automotives areas.

We are looking forward to setting up business relationship with you and hope to provide you with the best service and solution. Let us make a better world for our industry!



Contact us

Tel: +86-755-8981 8866 Fax: +86-755-8427 6832

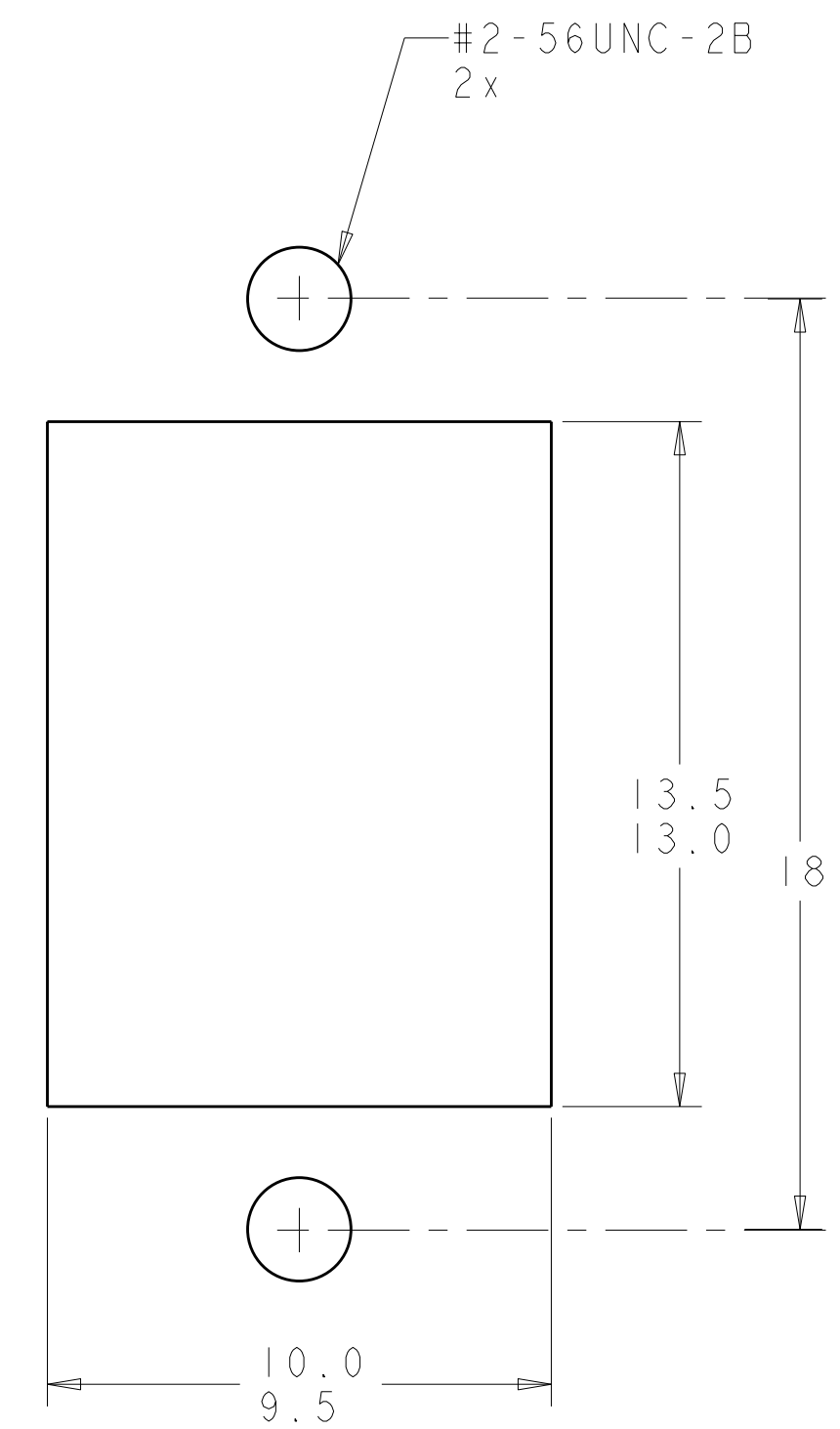
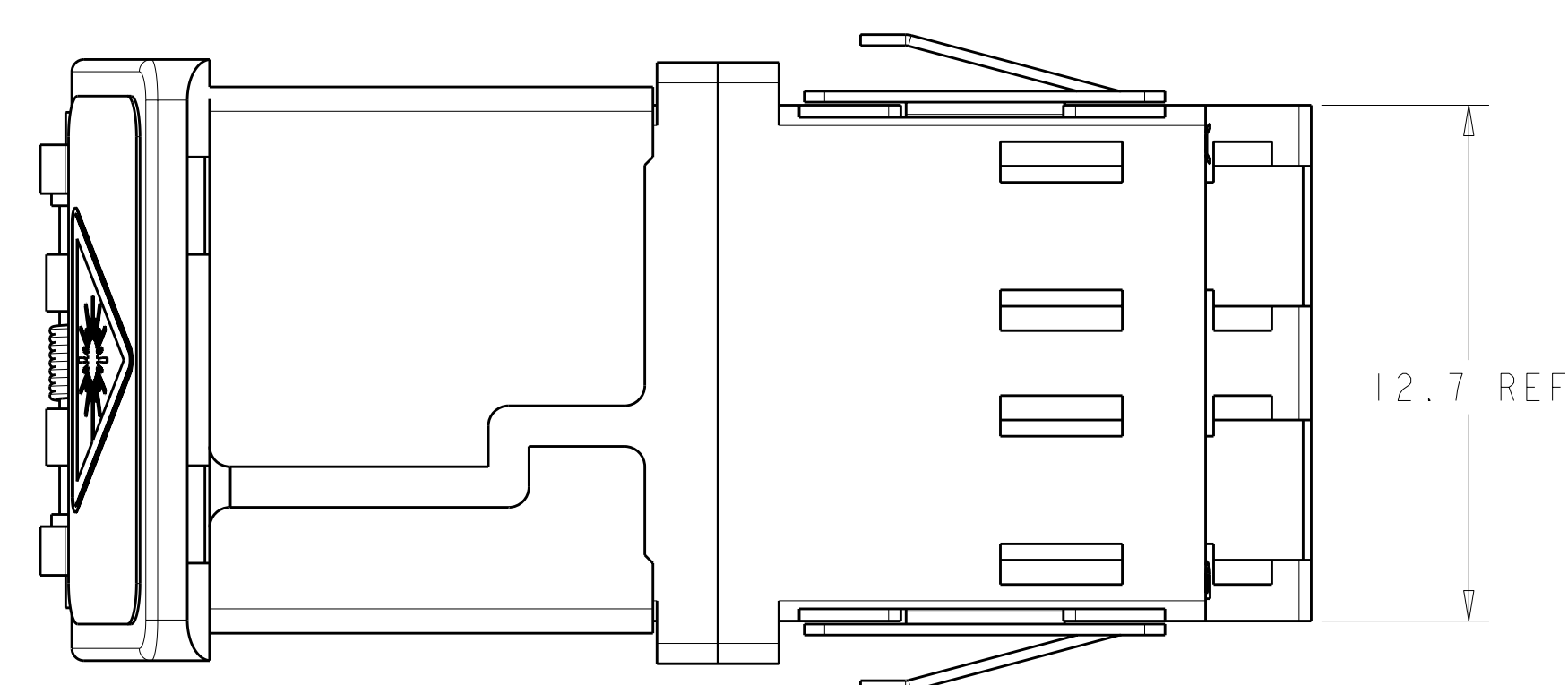
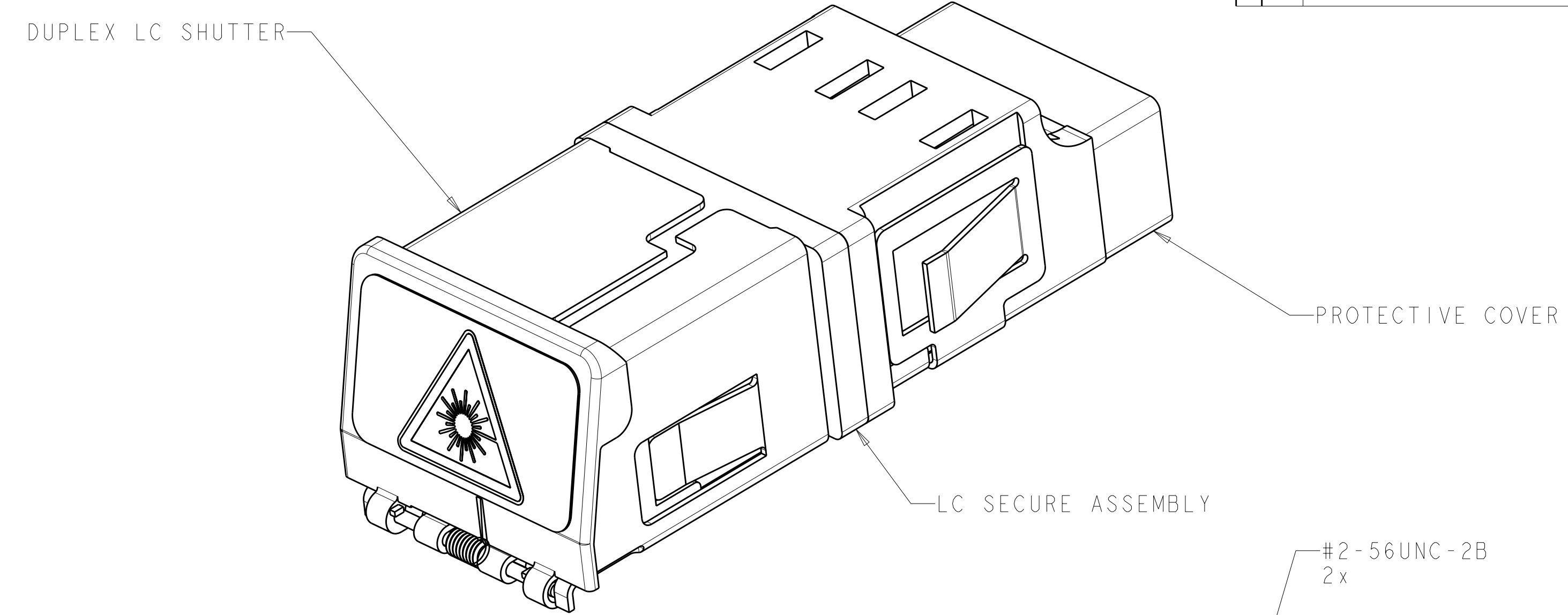
Email & Skype: info@chipsmall.com Web: www.chipsmall.com

Address: A1208, Overseas Decoration Building, #122 Zhenhua RD., Futian, Shenzhen, China

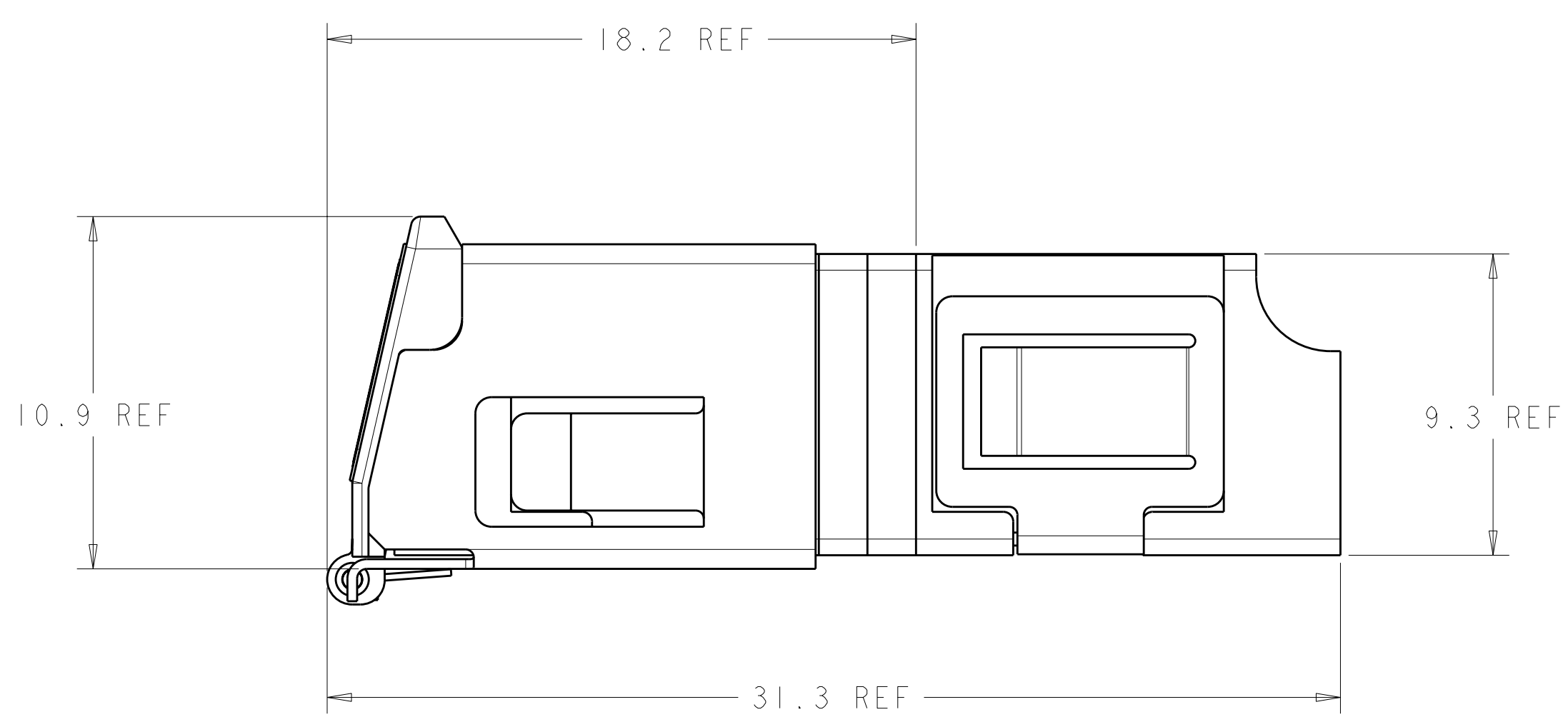
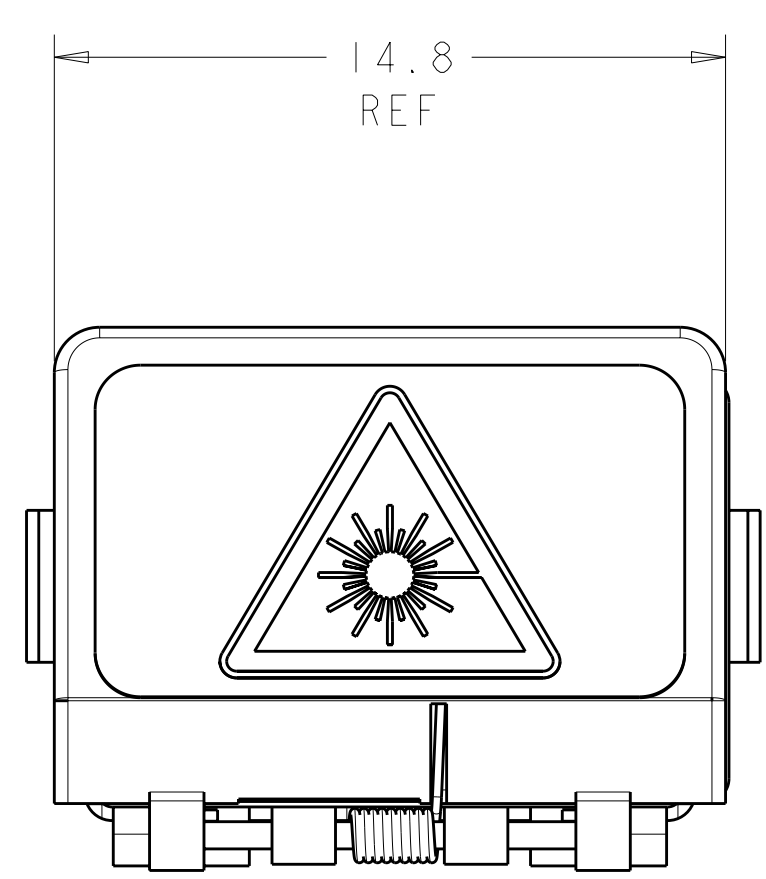


LOC	DIST	REV	DATE	DWN	APVD
CE	00	A	23JUN2009	BB	SM

△ MATERIAL:
 ADAPTER HOUSING: THERMOPLASTIC PPE-PS, COLOR: SEE TABLE*
 PROTECTIVE COVER: TPE, COLOR: BLACK*
 ALIGNMENT SLEEVES: CERAMIC
 SHUTTER HOUSING, RETAINER, SPRING, AND SHAFT: STAINLESS STEEL
 SHUTTER DOOR: POLYCARBONATE, COLOR: BLACK*
 LABEL: PET FILM, COLOR: SEE TABLE
 *UL 94 V-0 RATED AT QUALIFYING THICKNESS



RECOMMENDED PANEL CUTOUT
 MAX PANEL THK. 1.7



PROTECTIVE COVER
 NOT SHOWN

AQUA	AQUA	1-2064752-4
BLACK	BEIGE	1-2064752-3
GREEN	GREEN	2064752-3
BEIGE	BEIGE	2064752-2
BLUE	BLUE	2064752-1
ADAPTER COLOR	SHUTTER LABEL COLOR	PART NO.

DIMENSIONS: mm 		TOLERANCES UNLESS OTHERWISE SPECIFIED: 0 PLC ± 1 PLC ± 2 PLC ± 3 PLC ± 4 PLC ± ANGLES ± FINISH -		DWN B. BRIGGS 23DEC2008 CHK S. MILLER 23DEC2008 APVD D. BAECHTLE 23DEC2008 PRODUCT SPEC APPLICATION SPEC WEIGHT CUSTOMER DRAWING		Tyco Electronics Harrisburg, PA 17105-3608 NAME SHUTTER ADAPTER ASSEMBLY, LC FLANGELESS SIZE CAGE CODE DRAWING NO. RESTRICTED TO A100779C=2064752 SCALE 7:1 SHEET 1 OF 1 REV A	
-----------------------	--	---	--	--	--	---	--