



Chipsmall Limited consists of a professional team with an average of over 10 year of expertise in the distribution of electronic components. Based in Hongkong, we have already established firm and mutual-benefit business relationships with customers from,Europe,America and south Asia,supplying obsolete and hard-to-find components to meet their specific needs.

With the principle of "Quality Parts,Customers Priority,Honest Operation,and Considerate Service",our business mainly focus on the distribution of electronic components. Line cards we deal with include Microchip,ALPS,ROHM,Xilinx,Pulse,ON,Everlight and Freescale. Main products comprise IC,Modules,Potentiometer,IC Socket,Relay,Connector.Our parts cover such applications as commercial,industrial, and automotives areas.

We are looking forward to setting up business relationship with you and hope to provide you with the best service and solution. Let us make a better world for our industry!



## Contact us

Tel: +86-755-8981 8866 Fax: +86-755-8427 6832

Email & Skype: info@chipsmall.com Web: www.chipsmall.com

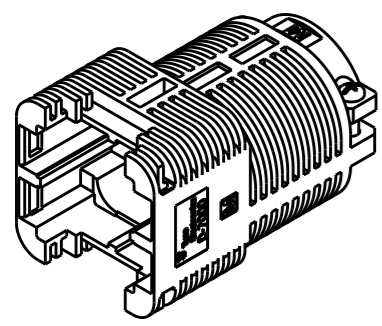
Address: A1208, Overseas Decoration Building, #122 Zhenhua RD., Futian, Shenzhen, China



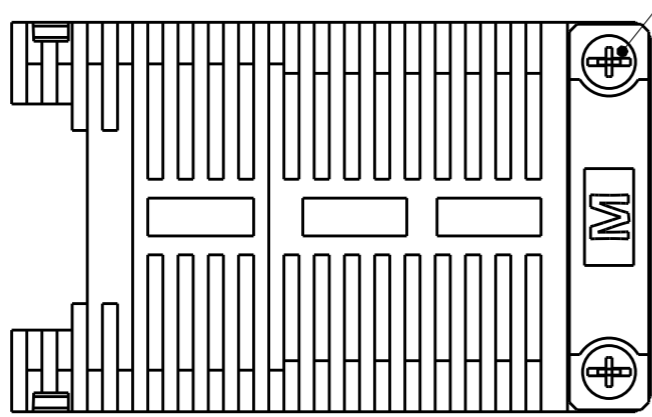
THIS DRAWING IS UNPUBLISHED. RELEASED FOR PUBLICATION 20  
 © COPYRIGHT 20 BY Tyco Electronics Japan G.K. ALL RIGHTS RESERVED.

| LOC | DIST | REVISIONS |     |             |           |     |      |
|-----|------|-----------|-----|-------------|-----------|-----|------|
|     |      | P         | LTR | DESCRIPTION | DATE      | DWN | APVD |
| J   | -    |           | D   | REVISED     | 07JAN2013 | H.U | N.Y  |

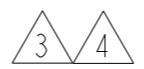
### CLAMP COVER ASSY



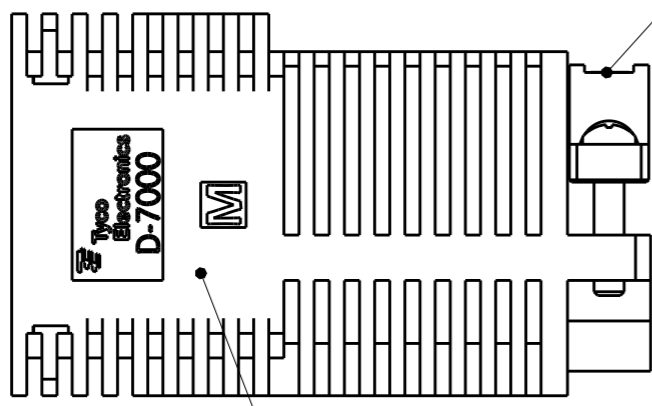
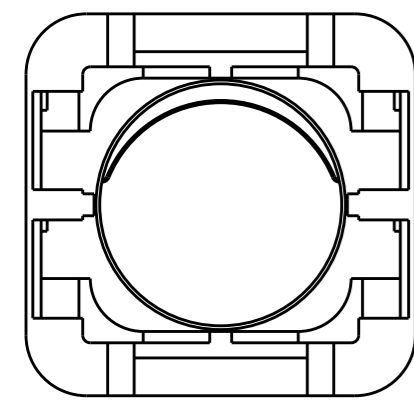
SCALE 1:2



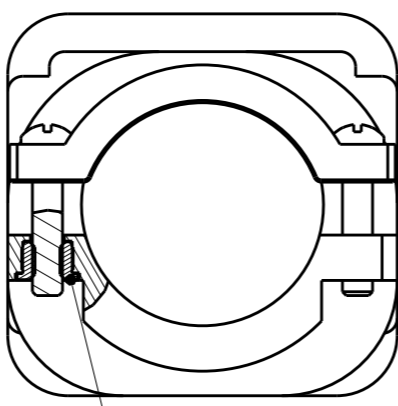
SCREW M4  
 STEEL (FINISH: BLACK OXIDE)



CLAMP SADDLE HSG  
 GF THERMOPLASTIC 94V-0



CLAMP COVER HSG  
 GF THERMOPLASTIC 94V-0



INSERT NUT M4  
 BRASS



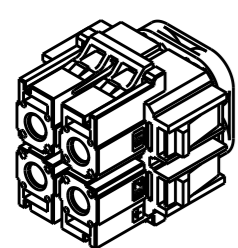
1. THE SHAPE, SIZE AND POSITION OF THE CHARACTER SHOW THE OUTLINE. THEY DON'T SHOW DETAILS.
  2. CONTACT OUR SALES ABOUT ANOTHER KEYING PRODUCT.
- △3 MATERIAL.  
 △4 FINISH.

AS SHOWN : 1-2069313-1

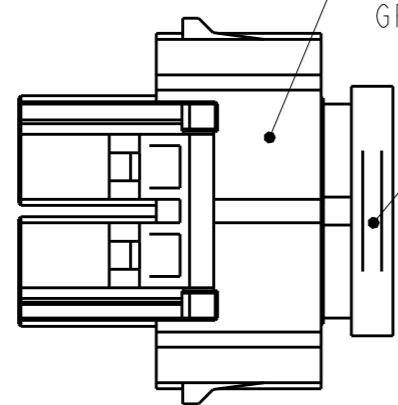
APPLICATED CABTIRE CABLE  
 INSULATION DIA  
 SIZE S : Ø19~25  
 SIZE M : Ø25~31

APPLICATED SOCKET CONTACTS  
 1871132-\*

### SOCKET HSG ASSY



SCALE 1:2

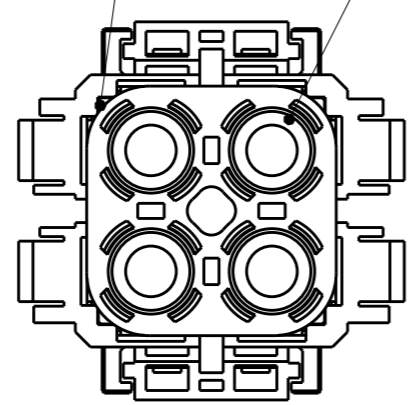
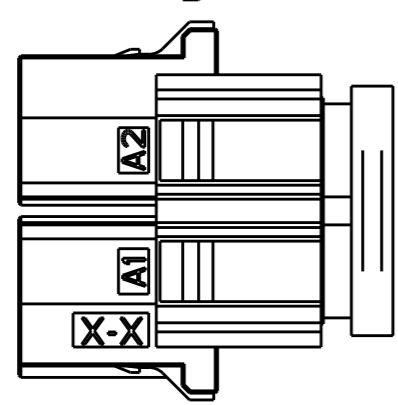
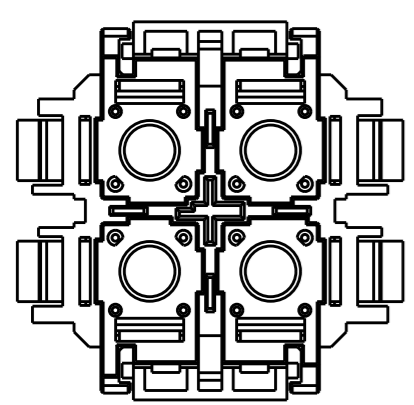


SOCKET BODY HSG  
 GF THERMOPLASTIC 94V-0

CYLINDER HSG  
 GF THERMOPLASTIC 94V-0

PLATE COVER HSG  
 GF THERMOPLASTIC 94V-0

RETENTION PLATE  
 STAINLESS STEEL



THIS DRAWING IS A CONTROLLED DOCUMENT.

|                   |   |
|-------------------|---|
| DIMENSIONS:<br>mm | TOLERANCES UNLESS OTHERWISE SPECIFIED:<br>±1.0, ±5° |
|                   | 0-PLC ±   |
|                   | 1-PLC ±0.1  |
|                   | 2-PLC ±0.01   |
|                   | 3-PLC ±0.001  |
|                   | 4-PLC ±0.0001                                       |
|                   | ANGLES ±  |
| MATERIAL<br>△3    | FINISH<br>△4  |

|                  |             |           |
|------------------|-------------|-----------|
| DWN              | M. MAEBASHI | 31JUL2010 |
| CHK              | N. YAMASAKI | 31JUL2010 |
| APVD             | N. YAMASAKI | 31JUL2010 |
| PRODUCT SPEC     | 108-78470   |           |
| APPLICATION SPEC | 114-5452    |           |
| WEIGHT           | -           |           |
| CUSTOMER DRAWING |             |           |

|                 |           |   |               |
|-----------------|-----------|---|---------------|
| TE Connectivity |           | NAME  |               |
|                 |           | DYNAMIC D7000 SERIES<br>DYNA-CLAMP KIT<br>7100 TYPE |               |
| SIZE            | CAGE CODE | DRAWING NO  | RESTRICTED TO |
| A3              | 00779     | C-2069313   | -             |
| SCALE 1:1       |           | SHEET 1 OF 2  | REV D         |

|     |                           |             |
|-----|---------------------------|-------------|
| XX  | 25~31                     | 1-2069313-1 |
| XX  | 19~25                     | 2-2069313-1 |
| KEY | APPLICATED INSULATION DIA | PART NO     |

THIS DRAWING IS UNPUBLISHED.

RELEASED FOR PUBLICATION

20

© COPYRIGHT 20

BY Tyco Electronics Japan G.K.

ALL RIGHTS RESERVED.

LOC J

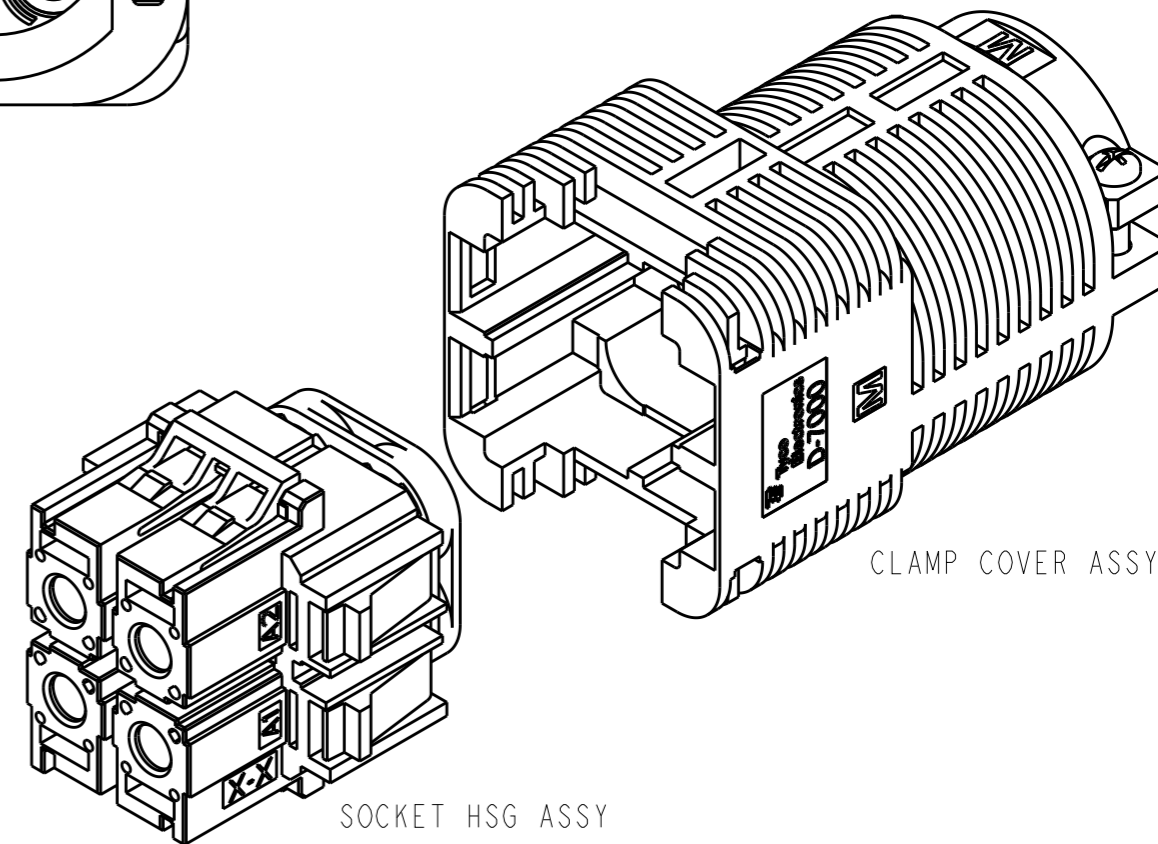
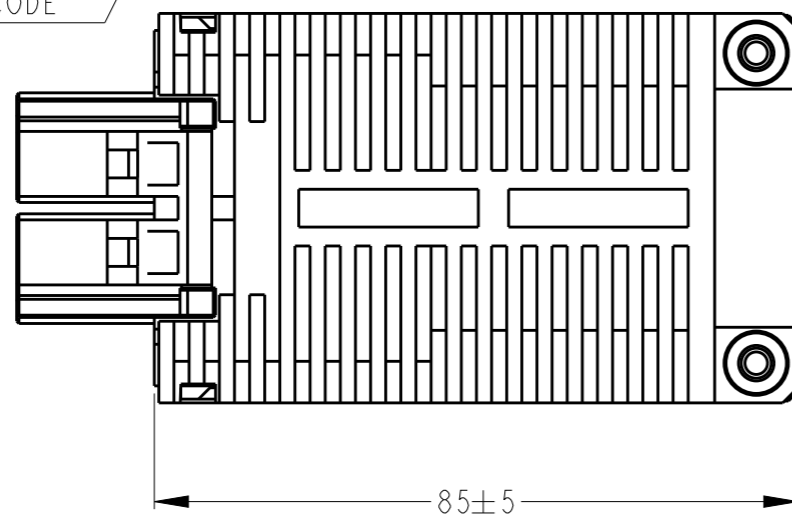
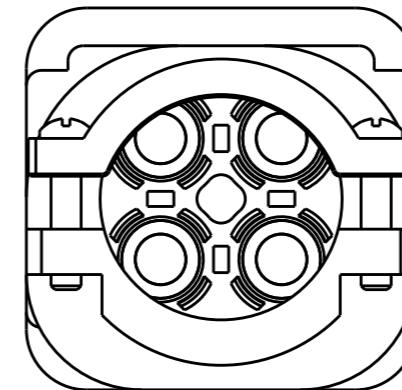
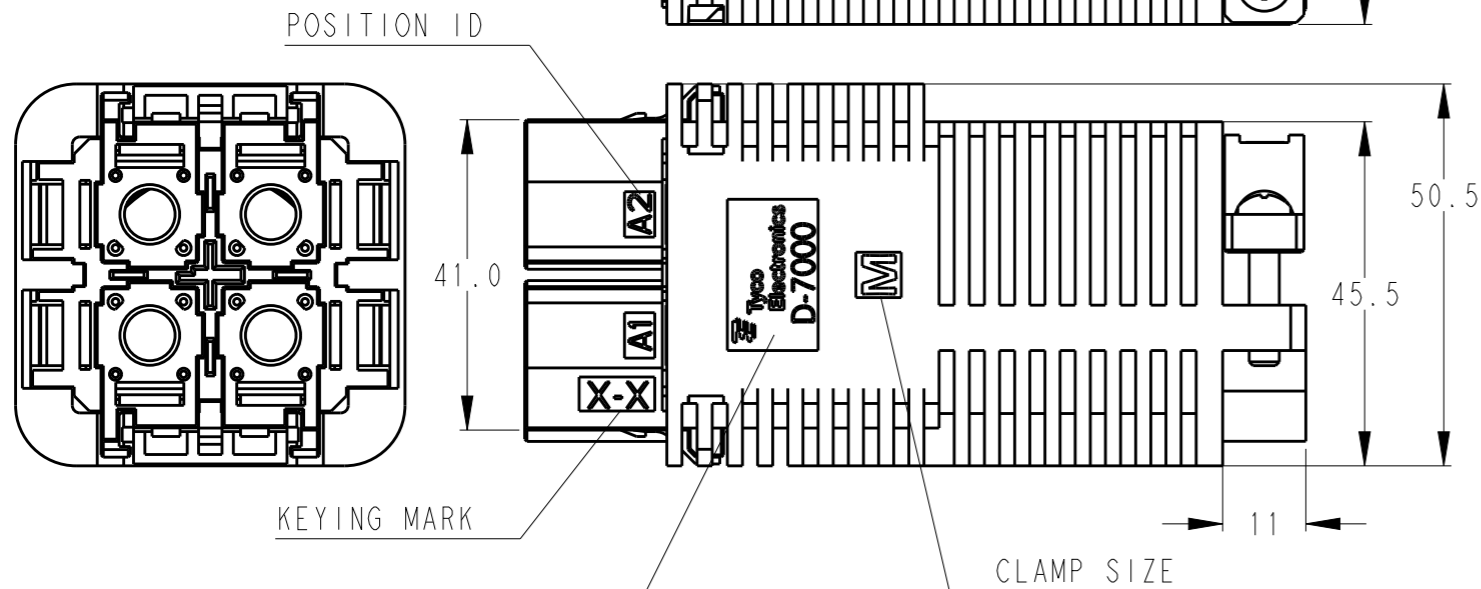
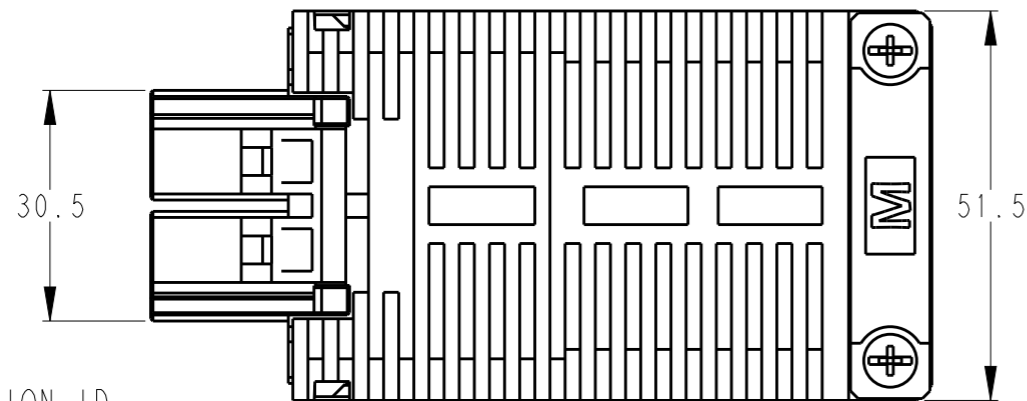
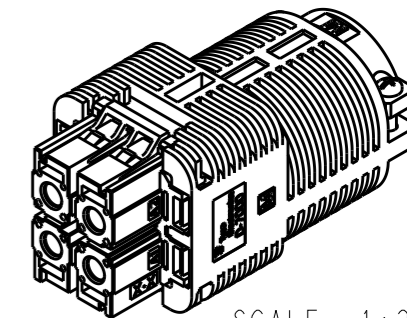
DIST -

REVISIONS

| P | LTR | DESCRIPTION      | DATE | DWN | APVD |
|---|-----|------------------|------|-----|------|
|   |     | SEE SHEET 1 OF 2 |      |     |      |

AS SHOWN : 1-2069313-1

APPLICATED CABTIRE CABLE  
 INSULATION DIA  
 SIZE S :  $\varnothing 19\sim 25$   
 SIZE M :  $\varnothing 25\sim 31$



|   |  |                            |                           |                 |   |                 |       |
|---|--|----------------------------|---------------------------|-----------------|---|-----------------|-------|
| THIS DRAWING IS A CONTROLLED DOCUMENT.                        |  | DWN M. MAEBASHI 31JUL2010  | TE Connectivity           |                 |   |                 |       |
| DIMENSIONS: mm  |  | CHK N. YAMASAKI 31JUL2010  |                           |                 | NAME<br>DYNAMIC D7000 SERIES<br>DYNA-CLAMP KIT<br>7100 TYPE |                 |       |
|   |  | APVD N. YAMASAKI 31JUL2010 |                           |                 |   |                 |       |
| TOLERANCES UNLESS OTHERWISE SPECIFIED: $\pm 1.0, \pm 5^\circ$ |  | PRODUCT SPEC 108-78470     | SIZE A3                   | CAGE CODE 00779 | DRAWING NO C-2069313  | RESTRICTED TO - |       |
| MATERIAL -  |  | FINISH -                   | APPLICATION SPEC 114-5452 |                 | SCALE 1:1   | SHEET 2 OF 2    | REV D |
| SEE SHEET 1 OF 2  |  | SEE SHEET 1 OF 2           | WEIGHT -                  |                 | CUSTOMER DRAWING  |                 |       |