



Chipsmall Limited consists of a professional team with an average of over 10 year of expertise in the distribution of electronic components. Based in Hongkong, we have already established firm and mutual-benefit business relationships with customers from,Europe,America and south Asia,supplying obsolete and hard-to-find components to meet their specific needs.

With the principle of “Quality Parts,Customers Priority,Honest Operation,and Considerate Service”,our business mainly focus on the distribution of electronic components. Line cards we deal with include Microchip,ALPS,ROHM,Xilinx,Pulse,ON,Everlight and Freescale. Main products comprise IC,Modules,Potentiometer,IC Socket,Relay,Connector.Our parts cover such applications as commercial,industrial, and automotives areas.

We are looking forward to setting up business relationship with you and hope to provide you with the best service and solution. Let us make a better world for our industry!



Contact us

Tel: +86-755-8981 8866 Fax: +86-755-8427 6832

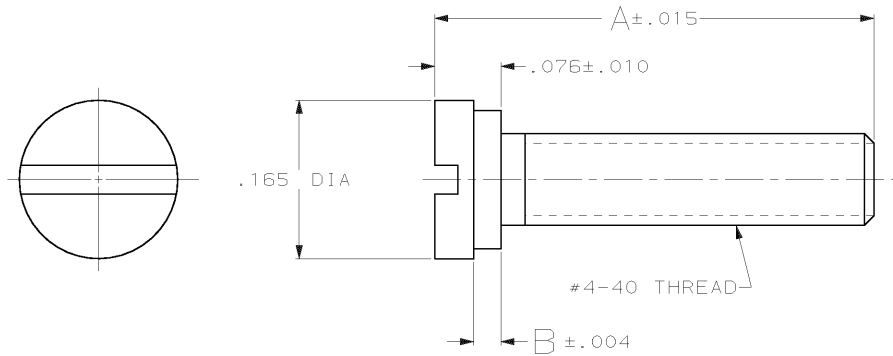
Email & Skype: info@chipsmall.com Web: www.chipsmall.com

Address: A1208, Overseas Decoration Building, #122 Zhenhua RD., Futian, Shenzhen, China



LOC GP 00

| REVISIONS | | | | | |
|-----------|-----|--|-----------|-------|--|
| ZONE | LTR | DESCRIPTION | DATE | APPD | |
| B | | REVISED & REDRAWN PER ECN-2262 | - | - | |
| C | | REVISED ECN-2364 | 8-1-88 | L5 RW | |
| D | | RLSE 1-1 PER NPR 3095, WAS 90-5898-17 | 09/04/90 | - | |
| E | | RLSE 1-3 PER NPR 3342, WAS 91-5898-1-2 | 2-13-91 | BT | |
| F | | REVISED PER ECN BD5212 | 06/26/91 | - | |
| G | | ADDED 1-6 PER NPR 3626, WAS 91-5898-18 | 07/12/91 | - | |
| H | | OBS -11 PER EC 001D-0251-00 | 23 JAN 01 | DK | |
| J | | REV PER EC 00E0-0002-01 | 09 JAN 02 | JR | |



- ① ZINC PLATED PER ASTM B633, TYPE II, CLASS SC1, YELLOW CHROMATE.
- ② ZINC PLATED PER ASTM B633, TYPE II, CLASS SC1, CLEAR CHROMATE.
- ③ OBSOLETE.

| | | | |
|--------|------|---------|--------------|
| ① | .042 | .415 | 1-206943-6 |
| ② | .041 | .305 | 1-206943-3 |
| ② | .056 | .290 | ③ 1-206943-1 |
| ① | .030 | .450 | 206943-7 |
| ① | .030 | .290 | 206943-5 |
| ③ | .030 | .415 | 206943-3 |
| ① | .030 | .415 | 206943-2 |
| FINISH | | B | A |
| | | PART NO | |

| | | |
|---|---|--|
| DO NOT SCALE PRINT. UNLESS SPECIFIED DIMENSIONS IN INCHES TOLERANCES ON: 2. PLC DEC ± .005 3. PLC DEC ± .005 ANGLES ± - | DR E-B-BB C. RICHARD CHK E-15-BB W. LENKER APPD E-16-BB S. KHINE APPD E-17-BB V. KUMAR | AMP INCORPORATED Harrisburg, Pa. 17105 |
| MATERIAL COLD ROLLED STEEL PER ASTM A108 | PRODUCT SPEC - | NAME SLIDELATCH SCREW, #4-40, AMPLIMITE™ |
| FINISH SEE TABLE | APPLICATION SPEC - | SIZE B FSCN NO 00779 DRAWING NO 206943 |
| | WEIGHT - | SCALE 10:1 SHEET 1 OF 1 |