



Chipsmall Limited consists of a professional team with an average of over 10 year of expertise in the distribution of electronic components. Based in Hongkong, we have already established firm and mutual-benefit business relationships with customers from,Europe,America and south Asia,supplying obsolete and hard-to-find components to meet their specific needs.

With the principle of "Quality Parts,Customers Priority,Honest Operation,and Considerate Service",our business mainly focus on the distribution of electronic components. Line cards we deal with include Microchip,ALPS,ROHM,Xilinx,Pulse,ON,Everlight and Freescale. Main products comprise IC,Modules,Potentiometer,IC Socket,Relay,Connector.Our parts cover such applications as commercial,industrial, and automotives areas.

We are looking forward to setting up business relationship with you and hope to provide you with the best service and solution. Let us make a better world for our industry!



Contact us

Tel: +86-755-8981 8866 Fax: +86-755-8427 6832

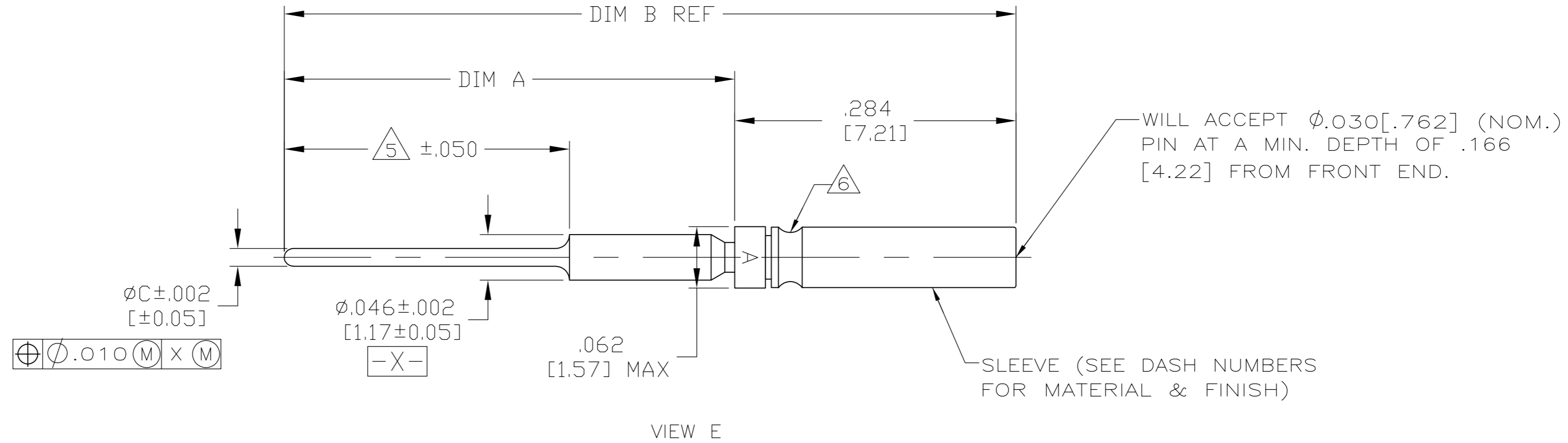
Email & Skype: info@chipsmall.com Web: www.chipsmall.com

Address: A1208, Overseas Decoration Building, #122 Zhenhua RD., Futian, Shenzhen, China

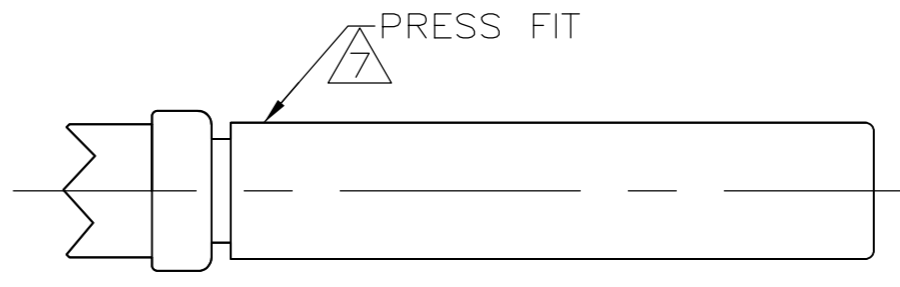


THIS DRAWING IS UNPUBLISHED. RELEASED FOR PUBLICATION
 © COPYRIGHT - By - ALL RIGHTS RESERVED.

LOC		DIST		REVISIONS			
P	LTR	DESCRIPTION	DATE	DWN	APVD		
	AA	REV PER ECO 11-011680	6-7-11	CT	RL		



VIEW E



VIEW F
SAME AS VIEW E
EXCEPT AS SHOWN

- 1. INSERTION/EXTRACTION TOOL AMP P/N 91067-1.
- 2. CONTACT BODY AND HOOD FINISH:
GOLD PLATED .000050 [0.0127] TO .000100 [0.0254] THICK PER ASTM-B-488, TYPE II, GRADE C OVER COPPER PLATE
.000100 [0.0254] TO .000250 [0.0635] THICK PER ASM 2418.
- 3. CONTACT BODY FINISH:
GOLD PLATED .000050 [0.0127] TO .000100 [0.0254] THICK PER ASTM-B-488, TYPE II, GRADE C OVER COPPER PLATE
.000100 [0.0254] TO .000250 [0.0635] THICK PER ASM 2418.
HOOD FINISH:
PASSIVATED PER ASTM-A-380
- 4. CONTACT BODY FINISH:
GOLD PLATED .000050 [0.0127] TO .000100 [0.0254] THICK PER ASTM-B-488, TYPE II, GRADE C OVER NICKEL PLATE
.000050 [0.0127] TO .000100 [0.0254] THICK PER QQ-N-290,
- 5. THIS AREA IS SOLDER DIPPED. 207684-8 & 1-207684-0 ONLY.
- 6. SLEEVE MAY BE CRIMPED OR DIMPLED ONTO CONTACT BODY.
- 7. SLEEVE MAY BE PRESS FIT, CRIMPED OR DIMPLED ONTO CONTACT BODY.
- 8. CONTACTS MEET ALL APPLICABLE PERFORMANCE REQUIREMENTS OF MIL-C-39029.
- 9. CONTACT BODY MATERIAL:
LEADED NICKEL COPPER OR COPPER ALLOY PER ASTM-B-197
HOOD MATERIAL:
BRASS PER ASTM-B-36 OR COPPER ALLOY PER ASTM-B-197
- 10. CONTACT BODY MATERIAL:
LEADED NICKEL COPPER OR COPPER ALLOY PER ASTM-B-197
HOOD MATERIAL:
STAINLESS STEEL PER ASTM-A-240
- 11. CONTACT BODY MATERIAL:
BERYLLIUM COPPER PER ASTM-B-197
HOOD MATERIAL:
STAINLESS STEEL PER ASTM-A-240
- 12. PRELIMINARY NOT RELEASED FOR PRODUCTION

TRIAL NO.	VIEW	FINISH	MATERIAL	ØC	DIM B	DIM A	PART NO
6	VIEW E	2	9	.018 [0.46]	.719 [18.26]	.435 [11.05]	1-207684-2
5 6	VIEW E	2	9	.018 [0.46]	.844 [21.44]	.560 [14.22]	1-207684-0
6	VIEW E	2	9	.020 [0.51]	.949 [24.10]	.665 [16.89]	207684-9
5 6	VIEW E	2	9	.018 [0.46]	.744 [18.90]	.460 [11.68]	207684-8
7	VIEW F	3	10	.025 [0.64]	.844 [21.44]	.560 [14.22]	207684-7
7	VIEW F	4	11	.018 [0.46]	1.094 [27.79]	.810 [20.57]	207684-6
7	VIEW F	4	11	.018 [0.46]	.844 [21.44]	.560 [14.22]	207684-5
7	VIEW F	4	10	.025 [0.64]	.844 [21.44]	.560 [14.22]	207684-4
6	VIEW E	2	9	.018 [0.46]	.744 [18.90]	.460 [11.68]	207684-3
6	VIEW E	2	9	.018 [0.46]	1.094 [27.79]	.810 [20.57]	207684-2
6	VIEW E	2	9	.018 [0.46]	.844 [21.44]	.560 [14.22]	207684-1
REMARKS	SEE VIEW	FINISH	MATERIAL	ØC	DIM B	DIM A	PART NO

THIS DRAWING IS A CONTROLLED DOCUMENT.

DWN	T. ALEXANDER	11-15-91
CHK	F. KINSEY	11-18-91
APVD	F. KINSEY	11-18-91
PRODUCT SPEC		
APPLICATION SPEC		
WEIGHT	-	
CUSTOMER DRAWING		

TE Connectivity

SOCKET CONTACT, POSTED
SIZE 22D

SIZE: A2 CAGE CODE: 00779 DRAWING NO: 207684 RESTRICTED TO: -

SCALE: 10:1 SHEET: 1 OF 1 REV: AA