



Chipsmall Limited consists of a professional team with an average of over 10 year of expertise in the distribution of electronic components. Based in Hongkong, we have already established firm and mutual-benefit business relationships with customers from,Europe,America and south Asia,supplying obsolete and hard-to-find components to meet their specific needs.

With the principle of "Quality Parts,Customers Priority,Honest Operation,and Considerate Service",our business mainly focus on the distribution of electronic components. Line cards we deal with include Microchip,ALPS,ROHM,Xilinx,Pulse,ON,Everlight and Freescale. Main products comprise IC,Modules,Potentiometer,IC Socket,Relay,Connector.Our parts cover such applications as commercial,industrial, and automotives areas.

We are looking forward to setting up business relationship with you and hope to provide you with the best service and solution. Let us make a better world for our industry!



Contact us

Tel: +86-755-8981 8866 Fax: +86-755-8427 6832

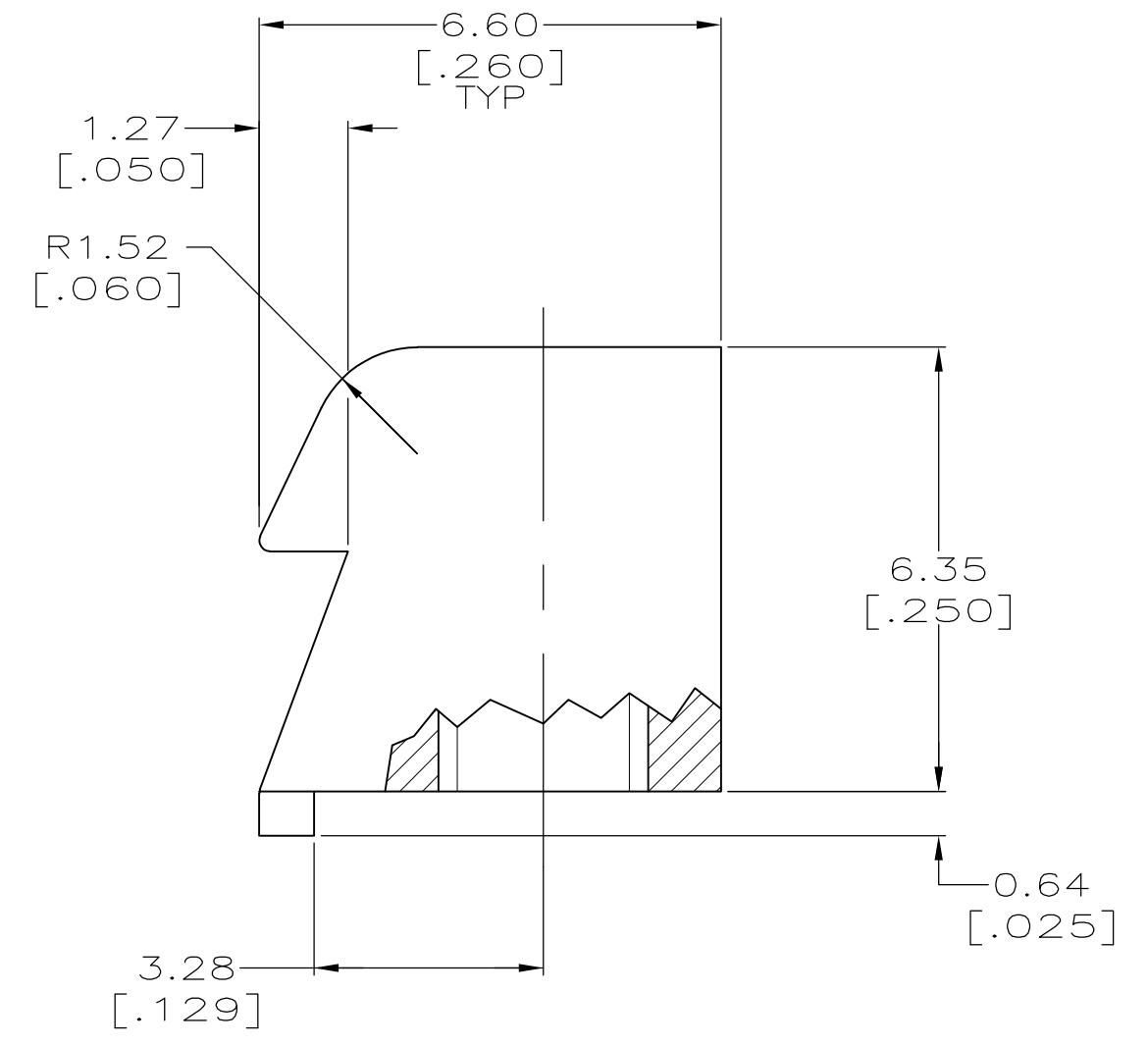
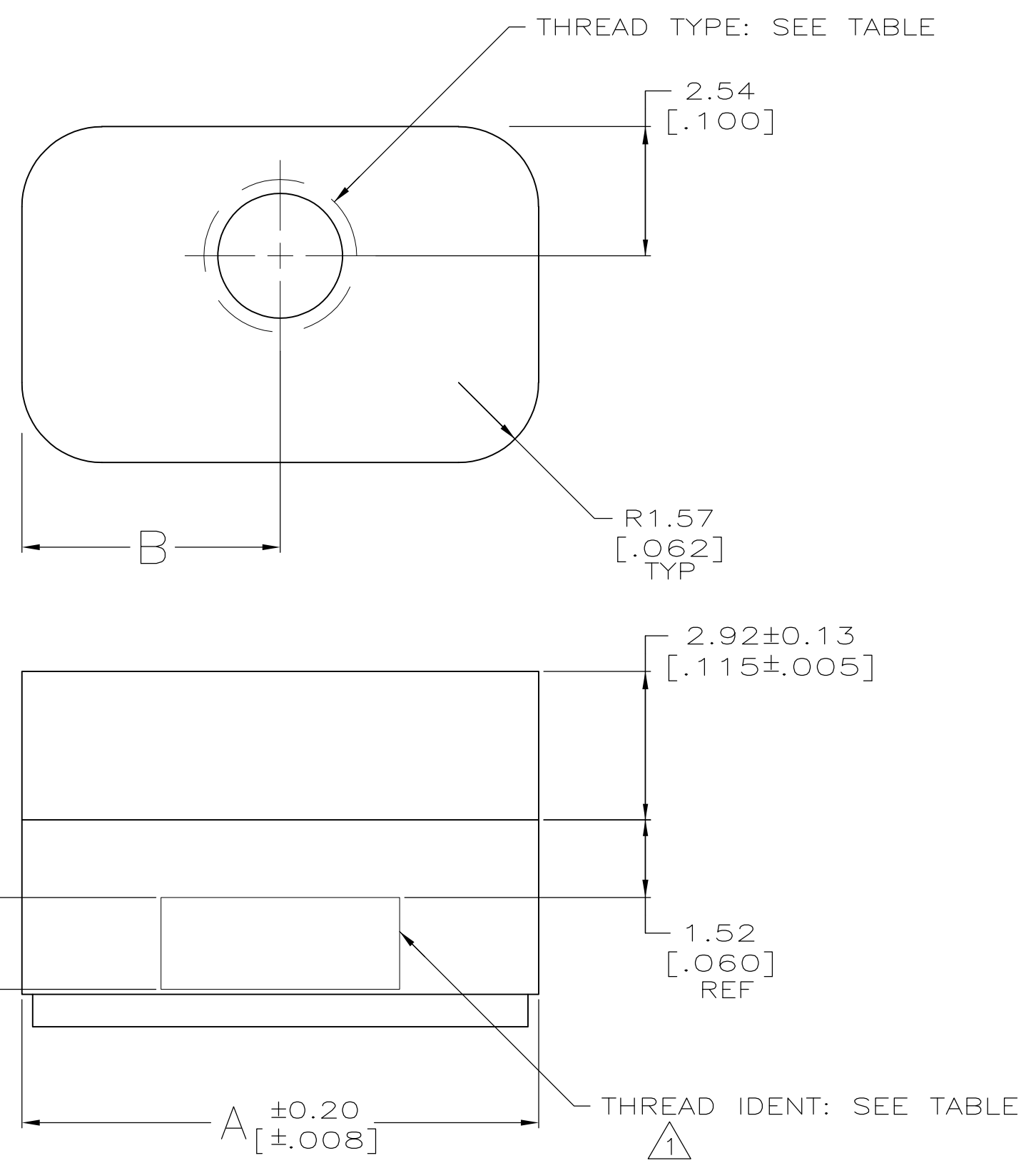
Email & Skype: info@chipsmall.com Web: www.chipsmall.com

Address: A1208, Overseas Decoration Building, #122 Zhenhua RD., Futian, Shenzhen, China



THIS DRAWING IS UNPUBLISHED. RELEASED FOR PUBLICATION
 © COPYRIGHT - By - ALL RIGHTS RESERVED.

LOC	DIST	REVISIONS			
P	LTR	DESCRIPTION	DATE	OWN	APVD
GP	00	H1	REVISED PER ECO-11-004835	11MAR11	RK HMR



△ THREAD IDENTIFICATION LOCATED THIS AREA, 0.20 [.008] MAX RAISED CHARACTERS.

4-40	ONE KIT PER BAG	2	4-40 UNC-2B	6.73 [.265]	13.46 [.530]	1-208101-1
4-40	BULK PACKAGED	2	4-40 UNC-2B	5.08 [.200]	10.16 [.400]	208101-9
4-40	ONE KIT PER BAG	2	4-40 UNC-2B	5.08 [.200]	10.16 [.400]	208101-8
M3	BULK PACKAGED	2	M3 X 0.5-6H	5.08 [.200]	10.16 [.400]	208101-2
M3	ONE KIT PER BAG	2	M3 X 0.5-6H	5.08 [.200]	10.16 [.400]	208101-1
THREAD IDENT	PACKAGING	QUANTITY	THREAD TYPE	B	A	PART NUMBER

THIS DRAWING IS A CONTROLLED DOCUMENT.

DWN B. MCMASTER 10MAR04	TE Connectivity
CHK C. ROHDE 10MAR04	
APVD M. WALMSLEY 10MAR04	NAME LATCHING BLOCK, AMPLIMITE™
PRODUCT SPEC	APPLICATION SPEC
MATERIAL ZINC	FINISH -
WEIGHT -	SIZE A2
CUSTOMER DRAWING	CAGE CODE 00779
	DRAWING NO G-208101
	RESTRICTED TO -
	SCALE 10:1
	SHEET 1 OF 1
	REV H1