



Chipsmall Limited consists of a professional team with an average of over 10 year of expertise in the distribution of electronic components. Based in Hongkong, we have already established firm and mutual-benefit business relationships with customers from,Europe,America and south Asia,supplying obsolete and hard-to-find components to meet their specific needs.

With the principle of “Quality Parts,Customers Priority,Honest Operation,and Considerate Service”,our business mainly focus on the distribution of electronic components. Line cards we deal with include Microchip,ALPS,ROHM,Xilinx,Pulse,ON,Everlight and Freescale. Main products comprise IC,Modules,Potentiometer,IC Socket,Relay,Connector.Our parts cover such applications as commercial,industrial, and automotives areas.

We are looking forward to setting up business relationship with you and hope to provide you with the best service and solution. Let us make a better world for our industry!



## Contact us

Tel: +86-755-8981 8866 Fax: +86-755-8427 6832

Email & Skype: info@chipsmall.com Web: www.chipsmall.com

Address: A1208, Overseas Decoration Building, #122 Zhenhua RD., Futian, Shenzhen, China




THIS DRAWING IS UNPUBLISHED. RELEASED FOR PUBLICATION  
 © COPYRIGHT - By - ALL RIGHTS RESERVED.

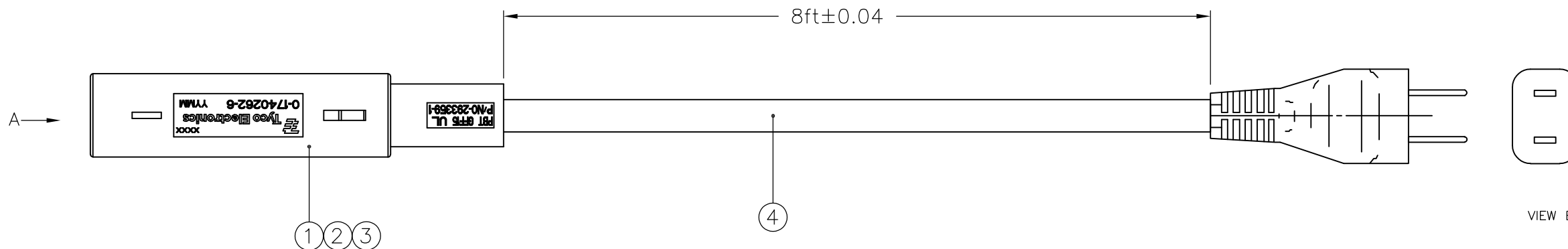
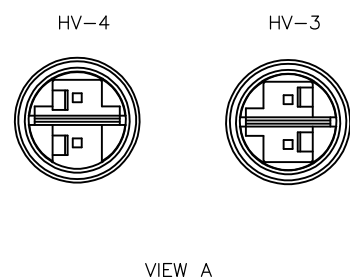
LOC	DIST	REVISIONS					
		P	LTR	DESCRIPTION	DATE	DWN	APVD
			A	INITIAL RELEASE	28APR11	GSK	RH
			A1	MAIN VIEW CORRECTED	02JUN2015	TB	GA

NOTE:


- PACKAGING ACC. TO TE SPEC.107-18032 BUNDLE EVERY 25 ASSEMBLIES WITH A RUBBER BAND
- ELECTRICAL TEST CONTAINING "SHORT CIRCUIT TEST, CONTINUITY AND ACCURATE CAVITY ASSIGNMENT TEST" ACC. TO TE-SPEC.108-18857, SUBSECTION 3.1.1
- ASSEMBLY COLOR: WHITE

 KEYING: ACC. TO TABLE

	
PN	KEYING
1--1	HV-3
2--1	HV-4



UOM	QTY	QTY	DESCRIPTION	POS.
PC	1	1	POWER SUPPLY CORD CABLE SVT 2xAWG18 UL	4
PC	2	2	MICRO QUADLOK SYSTEM PIN CONTACT	3
PC	1	1	TUBE FOR SVT CABLE	2
PC	-	1	OUTLET, MINI HVL 7.5mm HV-3	1
PC	1	-	OUTLET, MINI HVL 7.5mm HV-4	
	2--1	1--1		

THIS DRAWING IS A CONTROLLED DOCUMENT.		DWN 28APR11 SATHISH KUMAR.G	 TE Connectivity	
DIMENSIONS: mm		CHK 29APR11 R.HOSSAINI		
TOLERANCES UNLESS OTHERWISE SPECIFIED:		APVD 29APR11 R.HOSSAINI	NAME CABLE ASSEMBLY NECTOR S LINE OUTLET TO POWERPLUG, HV-3 AND HV-4	
0 PLC ± -		PRODUCT SPEC	SIZE	
1 PLC ± -		APPLICATION SPEC	CAGE CODE	
2 PLC ± -			DRAWING NO	
3 PLC ± -			RESTRICTED TO	
4 PLC ± -			A3 00779 C-2083082	
ANGLES ± -		WEIGHT	SCALE	
MATERIAL			SHEET	
FINISH			1 OF 1	
			REV	
			A1	