



Chipsmall Limited consists of a professional team with an average of over 10 year of expertise in the distribution of electronic components. Based in Hongkong, we have already established firm and mutual-benefit business relationships with customers from,Europe,America and south Asia,supplying obsolete and hard-to-find components to meet their specific needs.

With the principle of “Quality Parts,Customers Priority,Honest Operation,and Considerate Service”,our business mainly focus on the distribution of electronic components. Line cards we deal with include Microchip,ALPS,ROHM,Xilinx,Pulse,ON,Everlight and Freescale. Main products comprise IC,Modules,Potentiometer,IC Socket,Relay,Connector.Our parts cover such applications as commercial,industrial, and automotives areas.

We are looking forward to setting up business relationship with you and hope to provide you with the best service and solution. Let us make a better world for our industry!



Contact us

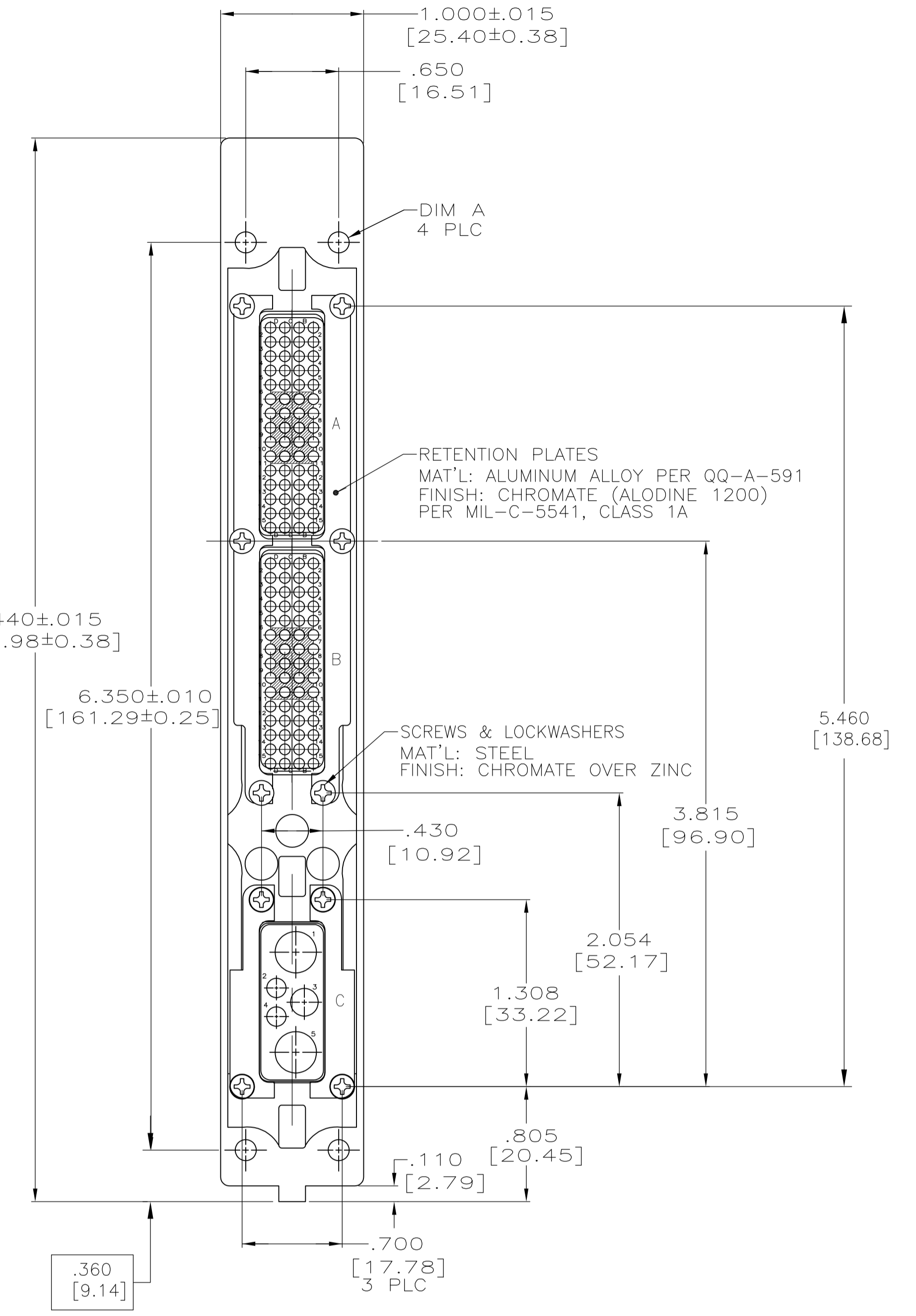
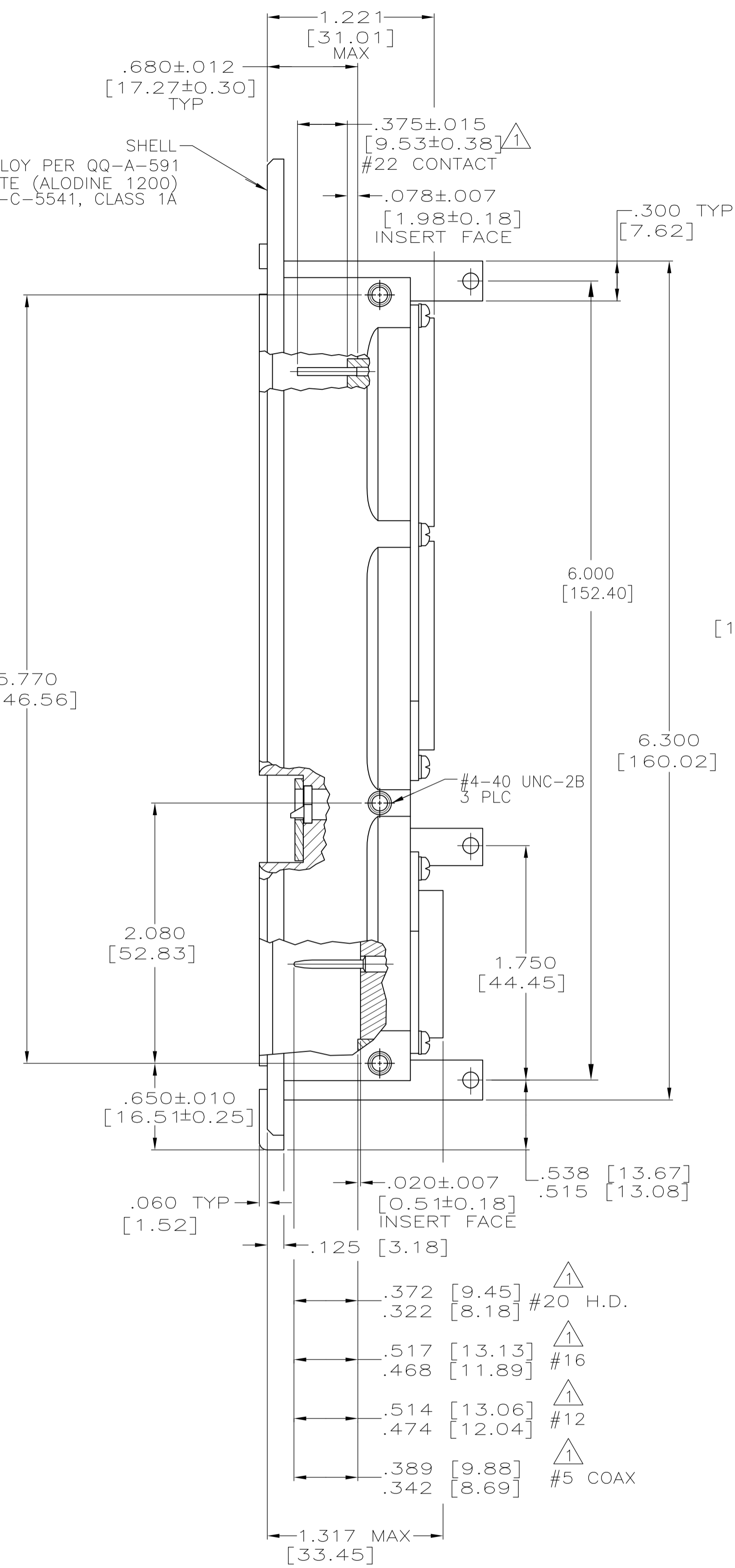
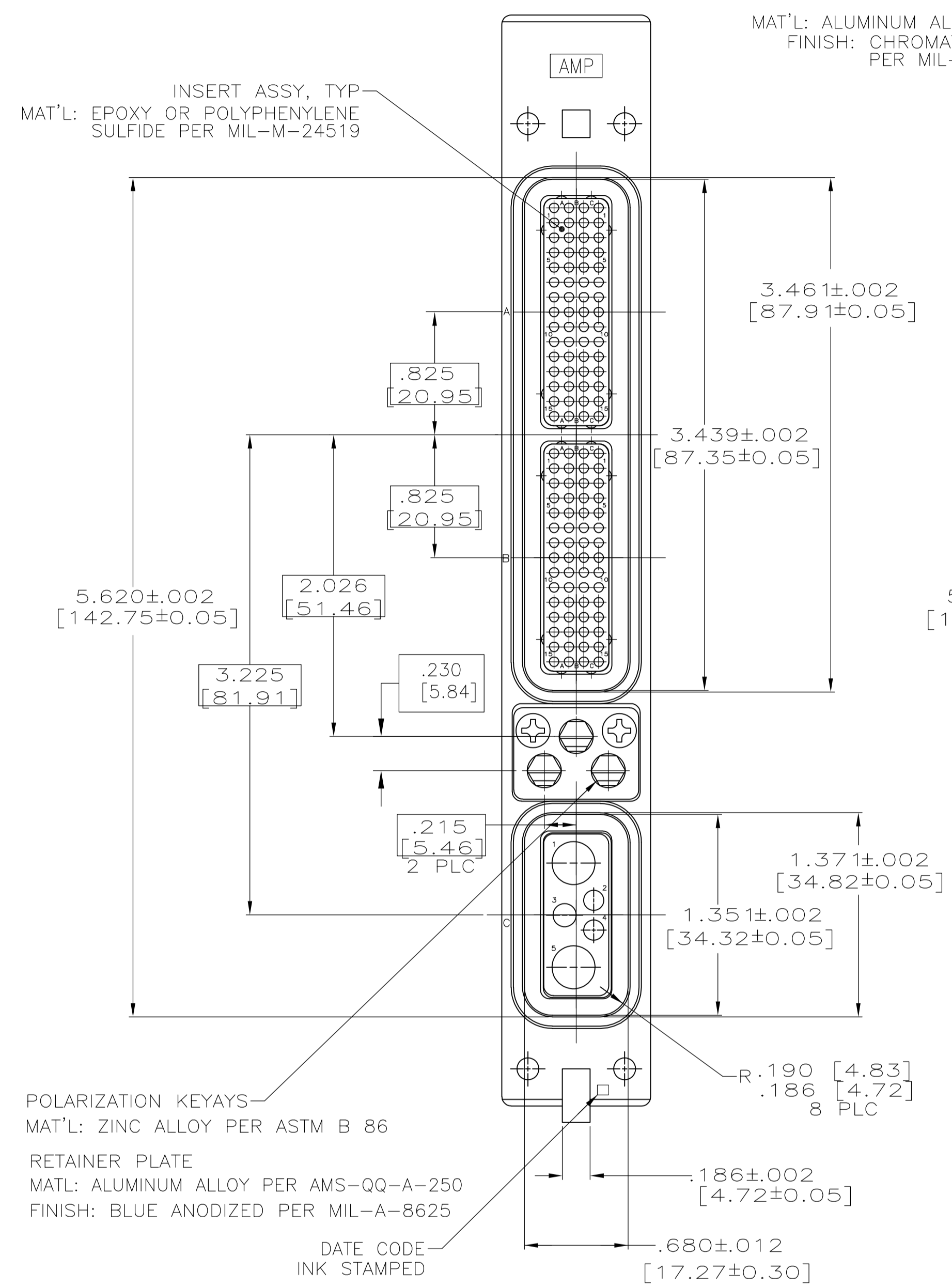
Tel: +86-755-8981 8866 Fax: +86-755-8427 6832

Email & Skype: info@chipsmall.com Web: www.chipsmall.com

Address: A1208, Overseas Decoration Building, #122 Zhenhua RD., Futian, Shenzhen, China



REVISED		REVISIONS		DATE	BY	APP'D
NO.	DESCRIPTION	DATE	BY	APP'D		
1	REV PER ECO 12-022506	1-22-13	CT	WB		



- △ CONTACTS ARE SHOWN IN POSITION FOR ILLUSTRATION ONLY. FOR SHIPMENT CONTACTS ARE INCLUDED IN A CONTAINER WITHIN THE CONNECTOR PACKAGE. COAX CONTACTS ARE NOT SUPPLIED AND MUST BE ORDERED SEPARATELY.
- ALL CONTACTS CAVITIES IN MODULES A & B ARE LOCATED WITHIN .006 [0.15] DIA TRUE POSITION. ALL CONTACT CAVITIES IN MODULE C ARE LOCATED WITHIN .020 [0.51] DIA TRUE POSITION.
 - POLARIZING KEYS SHOWN IN POSITION 01 FOR ILLUSTRATION ONLY. CONNECTORS SHIPPED WITH KEYING PER ORDERING INSTRUCTIONS. CONTACT INSERTS AS SHOWN FOR ILLUSTRATION ONLY. SEE TABLE FOR DISCRIPTIVE NUMBER.

.145-.151 [3.68-3.84]	NIC66E11A18AA0	1-208599-6
.145-.151 [3.68-3.84]	NIC66E11A00AA1	1-208599-5
.145-.151 [3.68-3.84]	-	1-208599-4
.145-.151 [3.68-3.84]	NIC66E11A12AAD	1-208599-3
#4-40 CLINCH NUTS	-	1-208599-2
.145-.151 [3.68-3.84]	NIC66E11A00AA0	1-208599-1
.145-.151 [3.68-3.84]	NIC66E11A11AA0	1-208599-0
.145-.151 [3.68-3.84]	NIC66E11A16AA0	208599-9
.145-.151 [3.68-3.84]	NIC66E11A23AA0	208599-8
.145-.151 [3.68-3.84]	NIC66E11A03AA1	208599-7
.145-.151 [3.68-3.84]	NIC66E11A50AA0	208599-6
.145-.151 [3.68-3.84]	NIC66E11A22AA1	208599-5
#6-32 CLINCH NUTS	NIC66E11A12CB0	208599-4
#6-32 CLINCH NUTS	NIC66E11A19CB1	208599-3
.145-.151 [3.68-3.84]	NIC66E11A01AA1	208599-2
.145-.151 [3.68-3.84]	NIC66E11A01AA0	208599-1
DIM A	DESCRIPTIVE NUMBER	PART NUMBER

THIS DRAWING IS A CONTROLLED DOCUMENT.

DIN C.C.THOMAS 11-20-95
CHK 4-11-96
R.GROSS
R.GROSS 4-11-96
NAME

STE TE Connectivity

RECEPTACLE ASSY, SIZE 1, ARINC 600

APPROVALS: DIMENSIONS IN INCHES, TOLERANCES UNLESS OTHERWISE SPECIFIED: 0 PLC ± .0005, 1 PLC ± .0005, 2 PLC ± .0005, 3 PLC ± .0005, 4 PLC ± .0005, ANGLES ± .0005.

MATERIAL SEE CALLOUTS, FINISH SEE CALLOUTS, WEIGHT, SIZE A1, CAGE CODE 00779, DRAWING NO. 208599, RESTRICTED TO CUSTOMER DRAWING, SCALE 1:1, SHEET 1 OF 1, REV P.