



Chipsmall Limited consists of a professional team with an average of over 10 year of expertise in the distribution of electronic components. Based in Hongkong, we have already established firm and mutual-benefit business relationships with customers from,Europe,America and south Asia,supplying obsolete and hard-to-find components to meet their specific needs.

With the principle of “Quality Parts,Customers Priority,Honest Operation,and Considerate Service”,our business mainly focus on the distribution of electronic components. Line cards we deal with include Microchip,ALPS,ROHM,Xilinx,Pulse,ON,Everlight and Freescale. Main products comprise IC,Modules,Potentiometer,IC Socket,Relay,Connector.Our parts cover such applications as commercial,industrial, and automotives areas.

We are looking forward to setting up business relationship with you and hope to provide you with the best service and solution. Let us make a better world for our industry!



Contact us

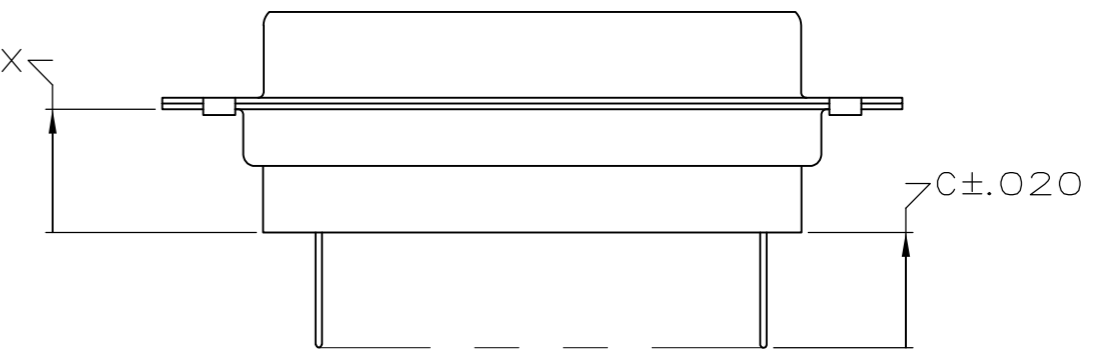
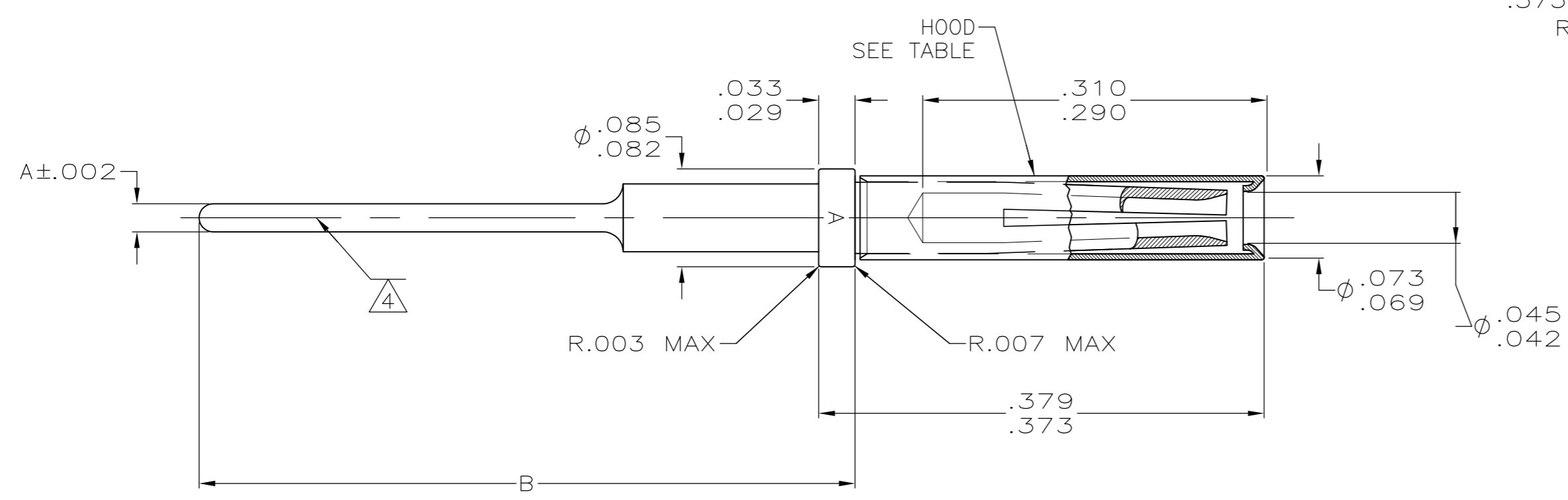
Tel: +86-755-8981 8866 Fax: +86-755-8427 6832

Email & Skype: info@chipsmall.com Web: www.chipsmall.com

Address: A1208, Overseas Decoration Building, #122 Zhenhua RD., Futian, Shenzhen, China



LOC	DIST	REVISIONS			DATE	OWN	APVD
DF	DO	P	LTR	DESCRIPTION			
		R1		REVISED PER ECO-11-005030	11MAR11	-	HMR



POST EXTENTION WHEN USED
 IN A STANDARD CONNECTOR

- ① PLATED GOLD .000050 MIN THK, OVER COPPER .000150 MIN THK
- 2. FOR USE IN P.C. BOARD.
- 3. CONTACT CAN BE USED IN ANY STANDARD HD-20 RECEPTACLE CONNECTOR.
- ④ POINT OF PLATING MEASUREMENT .100 FROM TIP OF SOLDER TAIL.
- ⑤ PLATED GOLD PER MIL-G-45204, TYPE I, CLASS 1, GRADE C OVER NICKEL PER QQ-N-290, .000050 TO .000150 INCH THK.
- 6. CONTACT BODY MAT'L: LEADED NICKEL COPPER (PROPRIETARY) EQUIVALENT ALTERNATE MAT'L: COPPER ALLOY PER ASTM-B-196
- 7. CONTACTS MEET ALL APPLICABLE PERFORMANCE REQUIREMENTS OF MIL-C-39029.
- ⑧ HOOD: STAINLESS STEEL. PASSIVATED.
- ⑨ HOOD: BRASS PER QQ-B-613 OR BERYLLIUM COPPER PER ASTM-B-196 PLATED GOLD PER MIL-G-45204, TYPE II, GRADE C, CLASS 1, OVER COPPER PER MIL-C-14550, CLASS 4.

	① ⑨	.320	.560	.018	1-208778-5
PRELIMINARY NOT RELEASED FOR PRODUCTION	-	-	-	-	1-208778-4
PRELIMINARY NOT RELEASED FOR PRODUCTION	-	-	-	-	1-208778-3
	① ⑧	.240	.480	.018	1-208778-2
	⑤ ⑧	.320	.560	.018	1-208778-1
	① ⑧	.320	.560	.018	1-208778-0
OBSOLETE	① ⑧	.190	.446	.040	208778-9
OBSOLETE	① ⑧	.190	.446	.030	208778-8
OBSOLETE	① ⑧	.190	.446	.024	208778-7
OBSOLETE	① ⑧	.155	.415	.040	208778-6
OBSOLETE	① ⑧	.155	.415	.030	208778-5
OBSOLETE	① ⑧	.155	.415	.024	208778-4
OBSOLETE	① ⑧	.125	.383	.040	208778-3
OBSOLETE	① ⑧	.125	.383	.030	208778-2
OBSOLETE	① ⑧	.125	.383	.024	208778-1
	REMARKS	C	B	A	PART NO.

THIS DRAWING IS A CONTROLLED DOCUMENT.

DWN THOMPSON 08-18-93	TE Connectivity SOCKET CONTACT POSTED, SIZE 20 ASSEMBLY				
CHK D. MANTIONE 08-23-93					
APVD D. MANTIONE 08-23-93					
NAME					
DIMENSIONS: mm [INCHES]	PRODUCT SPEC	SIZE	CAGE CODE	DRAWING NO	RESTRICTED TO
TOLERANCES UNLESS OTHERWISE SPECIFIED:	APPLICATION SPEC	A2	00779	G-208778	-
0 PLC ± -		SCALE	10:1	SHEET	1 OF 1
1 PLC ± -		CUSTOMER DRAWING		REV	R1
2 PLC ± -					
3 PLC ± .005					
4 PLC ± -					
ANGLES ± -					
MATERIAL SEE CALLOUT	FINISH SEE CALLOUT	WEIGHT			