



Chipsmall Limited consists of a professional team with an average of over 10 year of expertise in the distribution of electronic components. Based in Hongkong, we have already established firm and mutual-benefit business relationships with customers from,Europe,America and south Asia,supplying obsolete and hard-to-find components to meet their specific needs.

With the principle of "Quality Parts,Customers Priority,Honest Operation,and Considerate Service",our business mainly focus on the distribution of electronic components. Line cards we deal with include Microchip,ALPS,ROHM,Xilinx,Pulse,ON,Everlight and Freescale. Main products comprise IC,Modules,Potentiometer,IC Socket,Relay,Connector.Our parts cover such applications as commercial,industrial, and automotives areas.

We are looking forward to setting up business relationship with you and hope to provide you with the best service and solution. Let us make a better world for our industry!



Contact us

Tel: +86-755-8981 8866 Fax: +86-755-8427 6832

Email & Skype: info@chipsmall.com Web: www.chipsmall.com

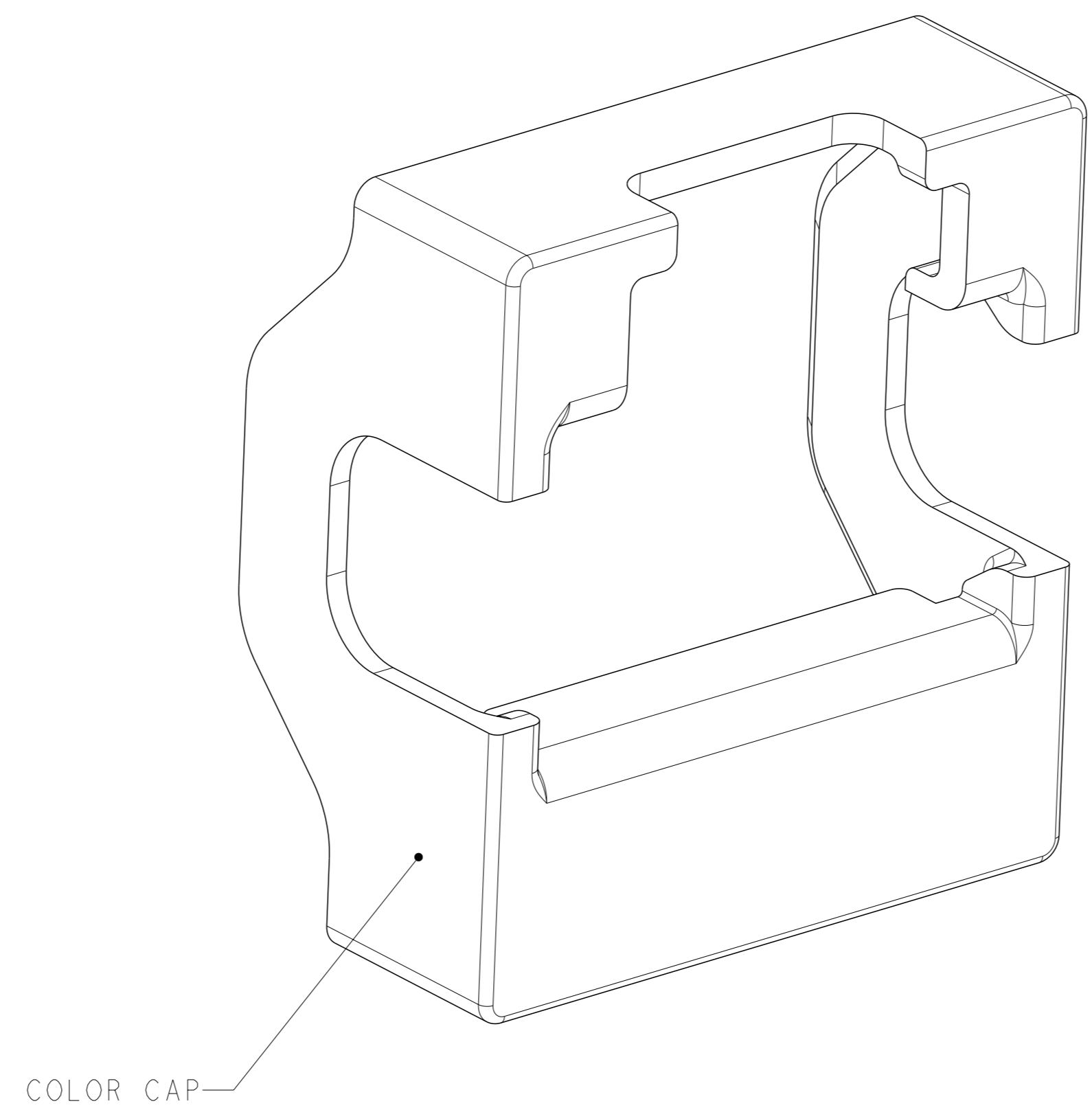
Address: A1208, Overseas Decoration Building, #122 Zhenhua RD., Futian, Shenzhen, China



THIS DRAWING IS UNPUBLISHED. RELEASED FOR PUBLICATION 2012
 © 2016 COMMSCOPE, INC. CONFIDENTIAL NOTICE: THESE DRAWINGS AND SPECIFICATIONS ARE THE PROPRIETARY PROPERTY OF COMMSCOPE, INC. AND MAY BE USED ONLY FOR THE SPECIFIC PURPOSE AUTHORIZED IN WRITING BY COMMSCOPE, INC.

REVISIONS				
#	DATE	DESCRIPTION	DATE	APP'D
B		REV: 40030175MCO	07JUN2016	GG LS

- 1. MATERIAL: POLYCARBONATE, SEE TABLE FOR COLOR.
- 2. ROHS COMPLIANT.
- 3. MINIMUM ORDER QUANTITY = 50
PACKAGED 50 PIECES PER BAG.
- 4. USE WITH UTP AMP-TWIST MODULAR JACKS.



ALPINE WHITE	1-2111243-3
ELECTRIC IVORY	1-2111243-1
VIOLET	1-2111243-0
GREEN	2111243-9
YELLOW	2111243-8
RED	2111243-7
BLUE	2111243-6
ORANGE	2111243-5
GRAY	2111243-4
BLACK	2111243-2
LIGHT ALMOND	2111243-1
1. COLOR	PART NUMBER

THIS DRAWING IS A CONTROLLED DOCUMENT.		OWN G. GARRETT 19JUL2012	NAME COMMSCOPE, INC.	
DIMENSIONS:		CHK S. JONES 19JUL2012	PRODUCT SPEC	
TOLERANCES UNLESS OTHERWISE SPECIFIED:		APP'D S. JONES 19JUL2012	APPLICATION SPEC	
mm	0 PLC ± 1 PLC ± 2 PLC ± 3 PLC ± 4 PLC ±	SIZE A1	CAGE CODE 00779	DRAWING NO. 2111243
MATERIAL		WEIGHT	RESTRICTED TO	
FINISH		SCALE 10:1		SHEET 1 OF 1
CUSTOMER DRAWING		REV B		