



Chipsmall Limited consists of a professional team with an average of over 10 year of expertise in the distribution of electronic components. Based in Hongkong, we have already established firm and mutual-benefit business relationships with customers from,Europe,America and south Asia,supplying obsolete and hard-to-find components to meet their specific needs.

With the principle of “Quality Parts,Customers Priority,Honest Operation,and Considerate Service”,our business mainly focus on the distribution of electronic components. Line cards we deal with include Microchip,ALPS,ROHM,Xilinx,Pulse,ON,Everlight and Freescale. Main products comprise IC,Modules,Potentiometer,IC Socket,Relay,Connector.Our parts cover such applications as commercial,industrial, and automotives areas.

We are looking forward to setting up business relationship with you and hope to provide you with the best service and solution. Let us make a better world for our industry!



Contact us

Tel: +86-755-8981 8866 Fax: +86-755-8427 6832

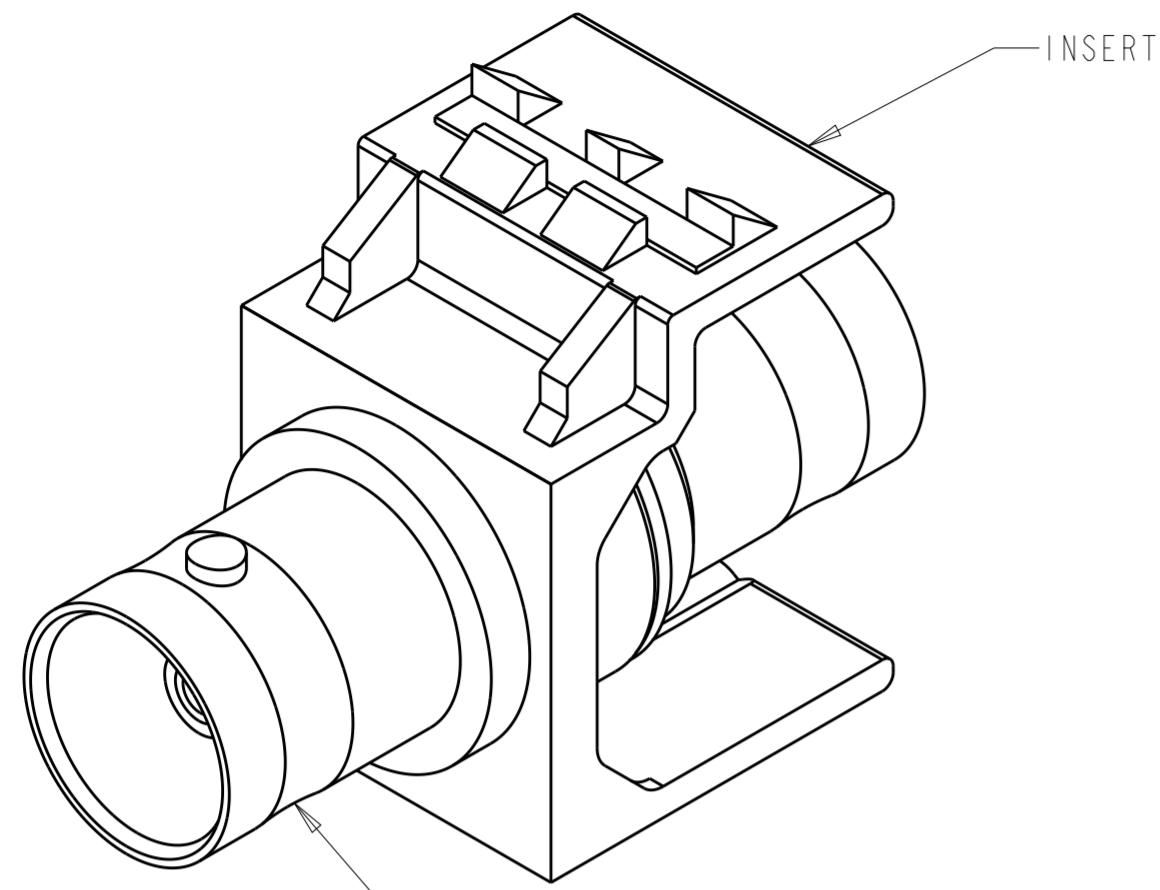
Email & Skype: info@chipsmall.com Web: www.chipsmall.com

Address: A1208, Overseas Decoration Building, #122 Zhenhua RD., Futian, Shenzhen, China

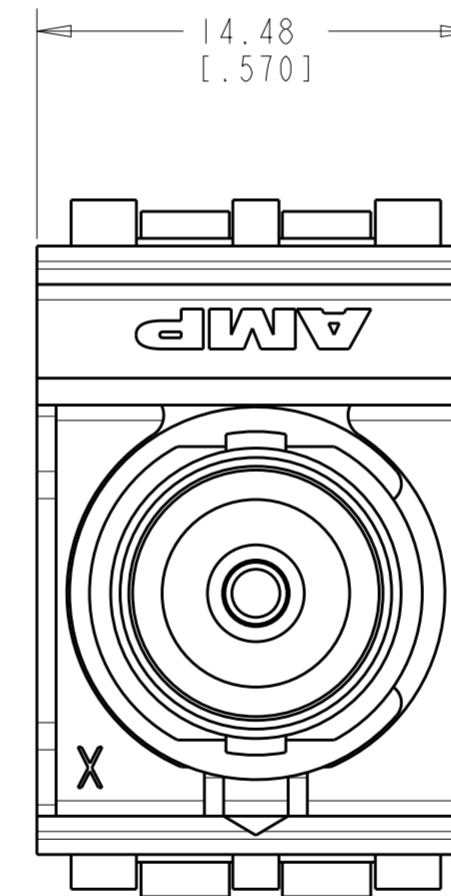
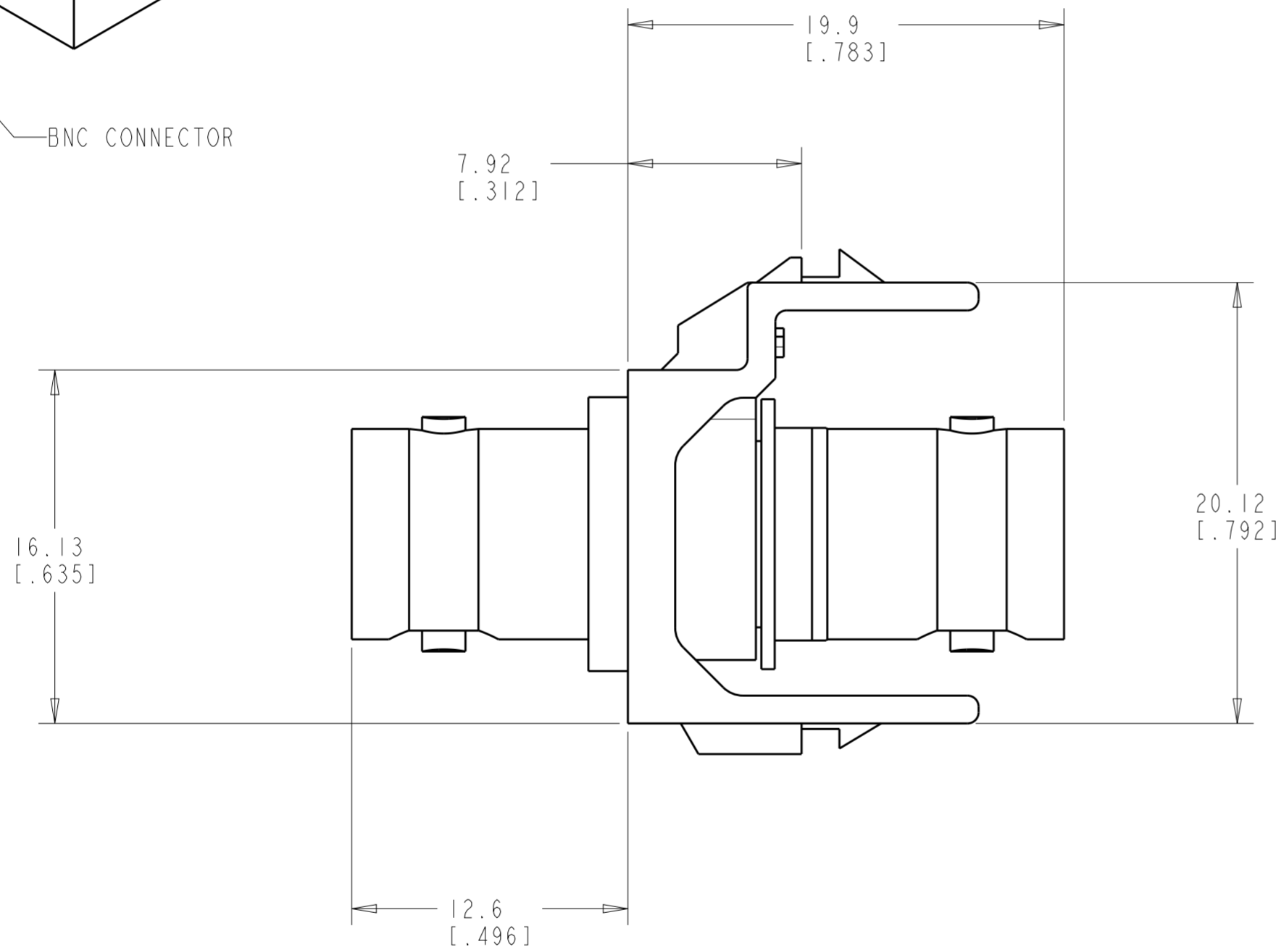


THIS DRAWING IS UNPUBLISHED. RELEASED FOR PUBLICATION
 © COPYRIGHT 20 BY - ALL RIGHTS RESERVED.

| LOC | DIST | REVISIONS | | | | | |
|-----|------|-----------|-----|---------------------|-----------|-----|------|
| HM | 00 | P | LTR | DESCRIPTION | DATE | DWN | APVD |
| | | A | | RLSD; ECO-12-021107 | 03DEC2012 | GG | RA |
| | | | | | | | |
| | | | | | | | |



MATERIAL:
 INSERT: POLYCARBONATE MOLDING COMPOUND. SEE TABLE FOR COLOR.
 BNC BARREL: BRASS, PLATED WITH 1.77 um (70 uin) THICK NICKEL.
 INSULATOR: DERLIN, WHITE
 CONTACT PIN: BRASS, PLATED WITH 0.07 um (3 uin) THICK HARD GOLD OVER 1.77 um (70 uin) THICK NICKEL UNDERPLATE.
 LOCK RING: BRASS, PLATED WITH 1.77 um (70 uin) THICK NICKEL.
 C RING: STEEL S50C, HRC44-52 BLACKFAST.
ELECTRICAL:
 VOLTAGE RATING: AC 500V
 WITHSTANDING VOLTAGE: AC 1,500V ONE MINUTE.
 INSULATION RESISTANCE: 1,000MΩ MIN AT DC 500V
 CONTACT RESISTANCE: 3M Ω MAX AT DC 1A
 FREQUENCY RANGE: 0-4 GHz
 VSWR: 1.3MAX 0-1 GHz
 IMPEDANCE: 75Ω VERSIONS



| | |
|--------------|-------------|
| ALPINE WHITE | 1-2111615-3 |
| BLACK | 2111615-2 |
| LT ALMOND | 2111615-1 |
| COLOR | PART NO |

| | | | | |
|--|----------|--------------------------------|----------------------------|--------------------|
| THIS DRAWING IS A CONTROLLED DOCUMENT. | | DWN G. GARRETT 18OCT2012 | STE TE Connectivity | |
| DIMENSIONS: mm (INCHES) | | CHK R. ASHBY 18OCT2012 | | |
| TOLERANCES UNLESS OTHERWISE SPECIFIED: | | APVD R. ASHBY 18OCT2012 | NAME KIT, BNC INSERT | |
| 0 PLC ± | 1 PLC ± | PRODUCT SPEC | SL SERIES | |
| 2 PLC ±.13 [.005] | 3 PLC ± | APPLICATION SPEC | SIZE A2 | CAGE CODE 00779 |
| 4 PLC ± | ANGLES ± | WEIGHT | DRAWING NO C-2111615 | RESTRICTED TO |
| MATERIAL | FINISH | Customer Drawing | SCALE 4:1 | SHEET 1 OF 1 |