



Chipsmall Limited consists of a professional team with an average of over 10 year of expertise in the distribution of electronic components. Based in Hongkong, we have already established firm and mutual-benefit business relationships with customers from,Europe,America and south Asia,supplying obsolete and hard-to-find components to meet their specific needs.

With the principle of “Quality Parts,Customers Priority,Honest Operation,and Considerate Service”,our business mainly focus on the distribution of electronic components. Line cards we deal with include Microchip,ALPS,ROHM,Xilinx,Pulse,ON,Everlight and Freescale. Main products comprise IC,Modules,Potentiometer,IC Socket,Relay,Connector.Our parts cover such applications as commercial,industrial, and automotives areas.

We are looking forward to setting up business relationship with you and hope to provide you with the best service and solution. Let us make a better world for our industry!



## Contact us

Tel: +86-755-8981 8866 Fax: +86-755-8427 6832

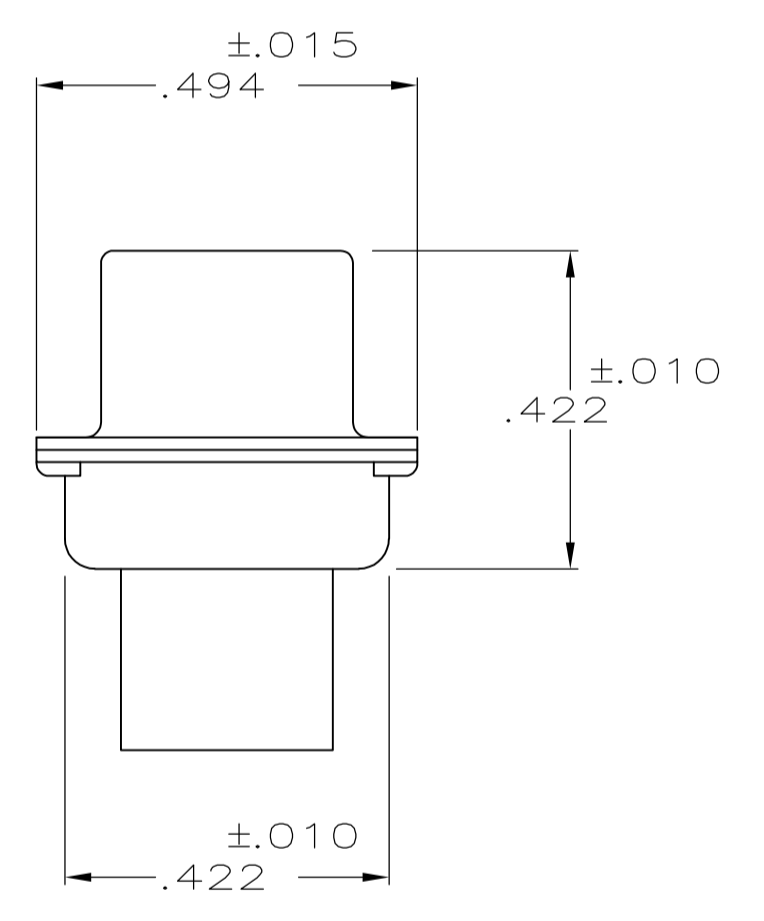
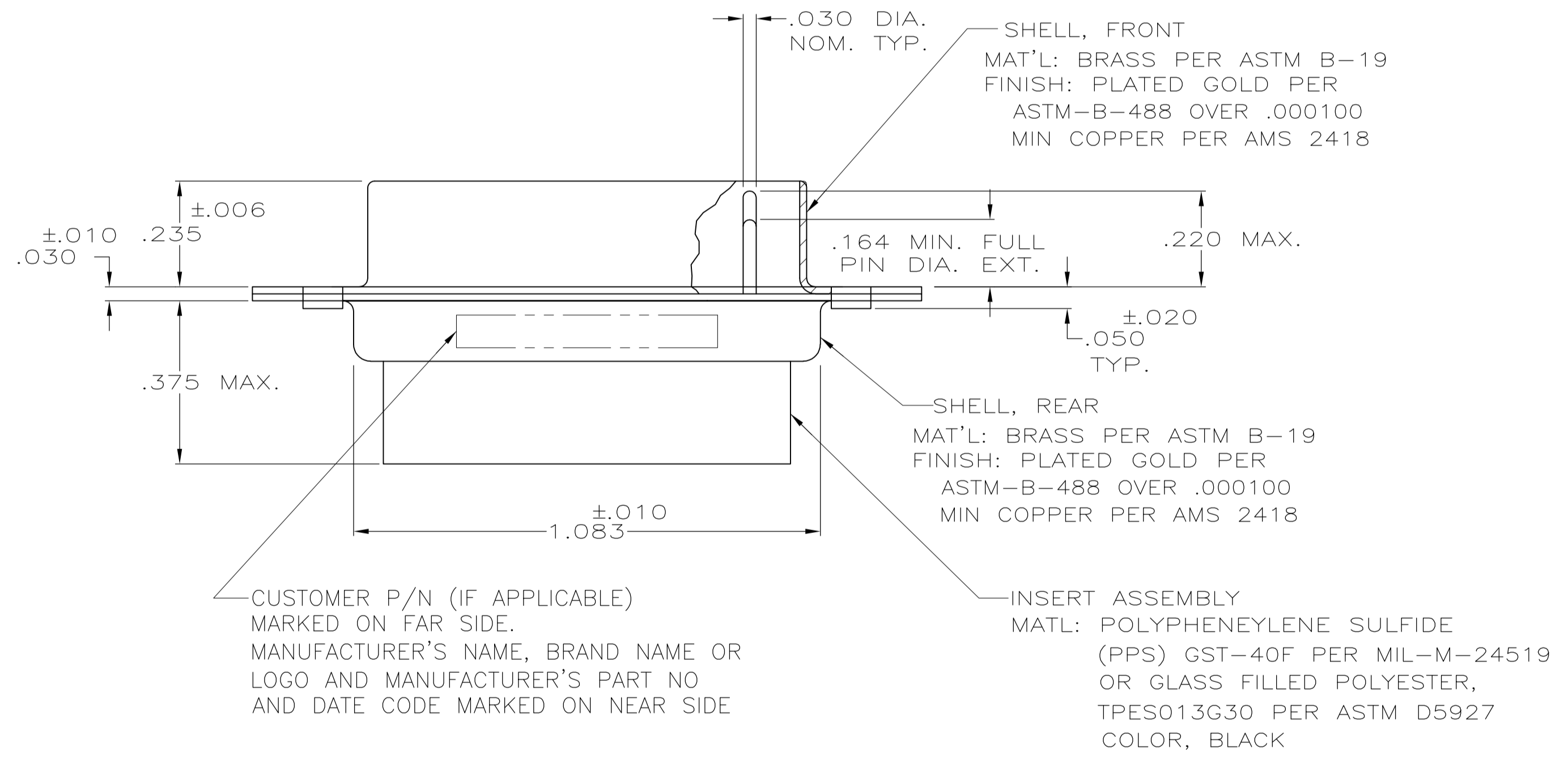
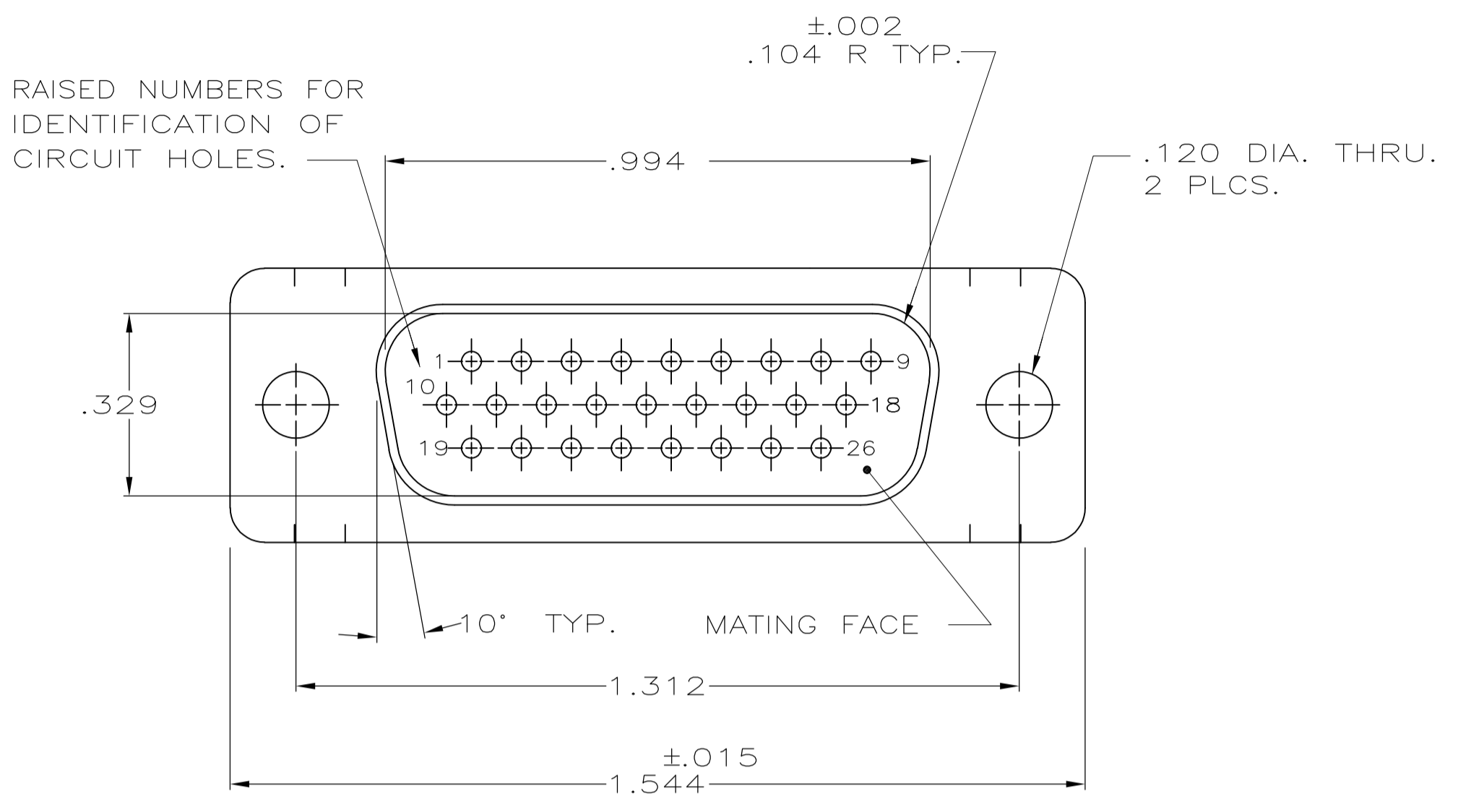
Email & Skype: info@chipsmall.com Web: www.chipsmall.com

Address: A1208, Overseas Decoration Building, #122 Zhenhua RD., Futian, Shenzhen, China



LOC		DIST		REVISIONS			
DF	DO	REV	DESCRIPTION	DATE	DWN	APVD	
F		1	REV PER ECO-10-001162	27JAN10	PY	RL	

1. THIS PLUG WILL MATE WITH ANY SIZE 2,26 POSN. RECEPTACLE IN AMPLIMITE SERIES.
2. CONNECTOR SUPPLIED WITHOUT CONTACTS; SHOWN FOR ILLUSTRATION ONLY.
3. BE-CU RETENTION CLIPS ARE INCLUDED IN INSERTS AND INSTALLED WITH TINES POINTING TOWARDS MATING FACE.
4. OVERALL DIMENSIONS DO NOT INCLUDE RAISED CAVITY IDENTIFICATION
5. MARKING FAR SIDE REFERS TO WIDE SIDE OF KEYSTONE. NEAR SIDE REFERS TO NARROW SIDE OF KEYSTONE
6. 100% INSPECTION REQUIRED PER BOEING 1B01:
  - A. VISUAL
  - B. DWV
  - C. IR
7. CUSTOMER REQUIRES SINGLE LOT DATE CODE.



REMARKS	CUSTOMER PART NUMBER	PART NO.
6	1B01-008PHW	1-211650-1
6	1B01-008	211650-1

THIS DRAWING IS A CONTROLLED DOCUMENT.

DIMENSIONS: INCHES	TOLERANCES UNLESS OTHERWISE SPECIFIED:	DIN D. ERDMAN 3-12-84	Tyco Electronics Corporation Harrisburg, PA 17105-3608
		CHK B. YOHN 4-26-84	
	0. PLC ± -	APVD G. SACUNAS 7-5-84	NAME PLUG ASS'Y.,AMPLIMITE, 26 POSN, SIZE 2, SERIES 90 NON-MAGNETIC
	1. PLC ± -	PRODUCT SPEC	
	2. PLC ± -	APPLICATION SPEC	SIZE A1
	3. PLC ± .005	WEIGHT	CAGE CODE 00779
	4. PLC ± -	CUSTOMER DRAWING	DRAWING NO 211650
	ANGLES ± ± 0°30'	SCALE	4:1
MATERIAL SEE CALLOUTS	FINISH SEE CALLOUTS	SHEET	1 OF 1
		REV	F