



Chipsmall Limited consists of a professional team with an average of over 10 year of expertise in the distribution of electronic components. Based in Hongkong, we have already established firm and mutual-benefit business relationships with customers from,Europe,America and south Asia,supplying obsolete and hard-to-find components to meet their specific needs.

With the principle of “Quality Parts,Customers Priority,Honest Operation,and Considerate Service”,our business mainly focus on the distribution of electronic components. Line cards we deal with include Microchip,ALPS,ROHM,Xilinx,Pulse,ON,Everlight and Freescale. Main products comprise IC,Modules,Potentiometer,IC Socket,Relay,Connector.Our parts cover such applications as commercial,industrial, and automotives areas.

We are looking forward to setting up business relationship with you and hope to provide you with the best service and solution. Let us make a better world for our industry!



## Contact us

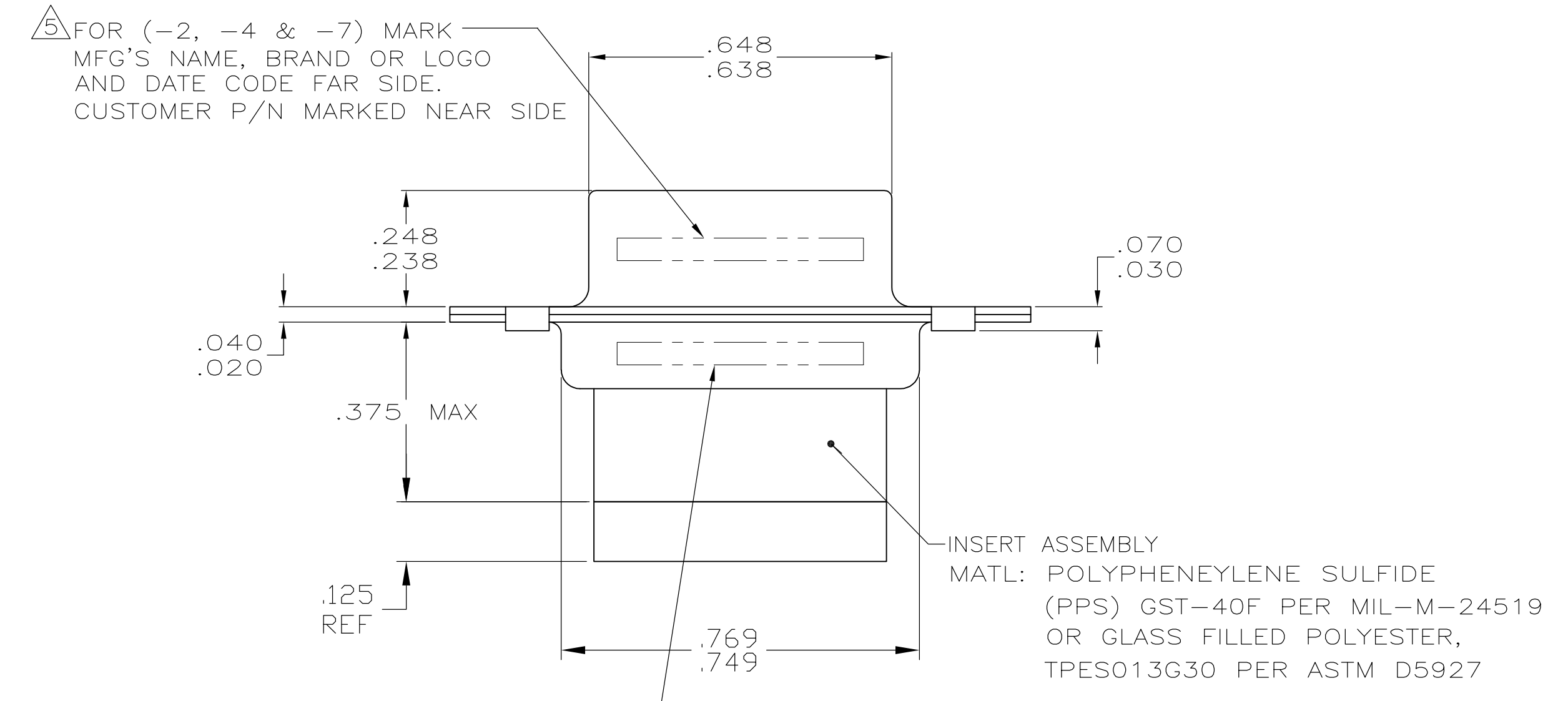
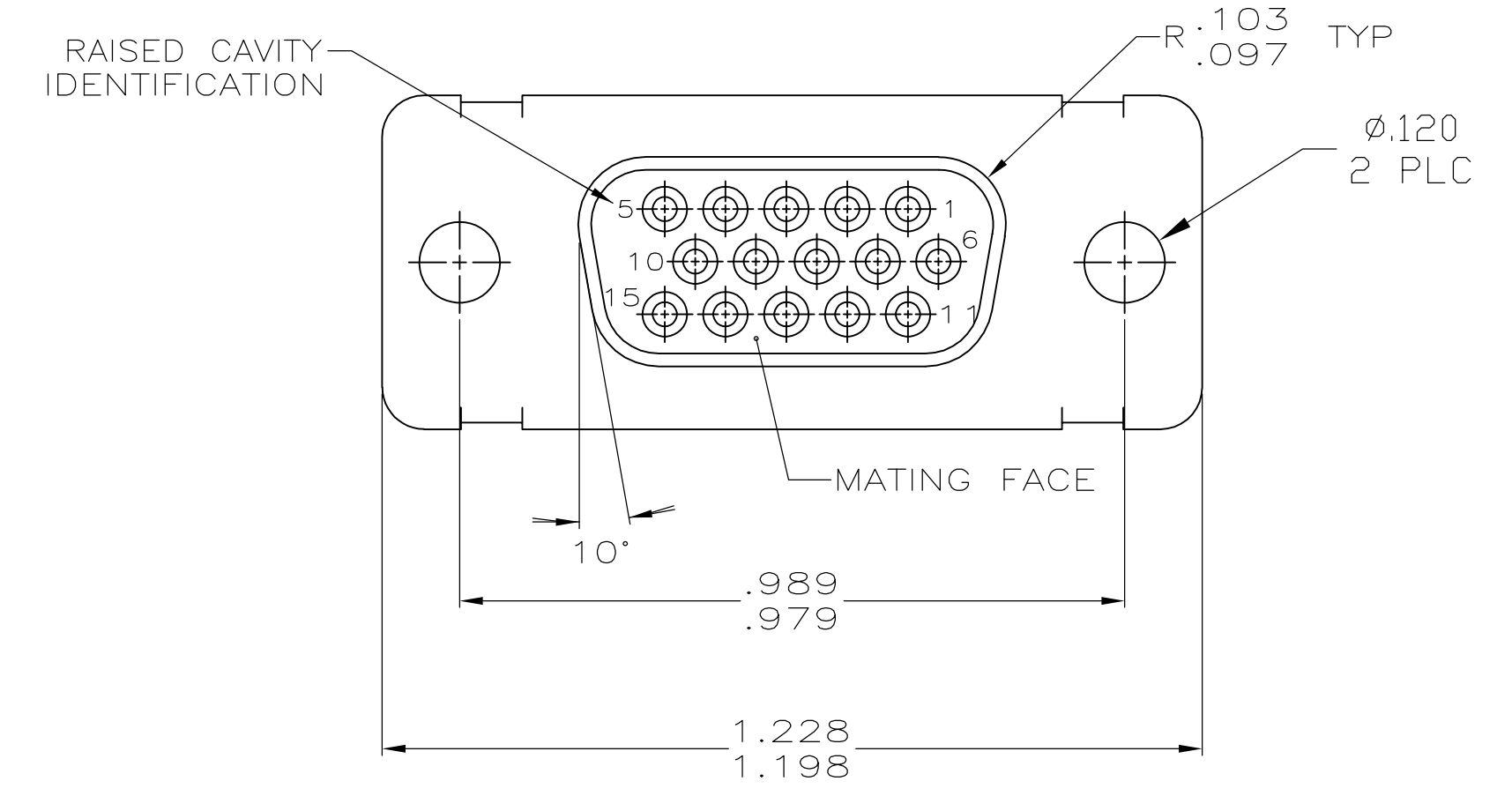
Tel: +86-755-8981 8866 Fax: +86-755-8427 6832

Email & Skype: info@chipsmall.com Web: www.chipsmall.com

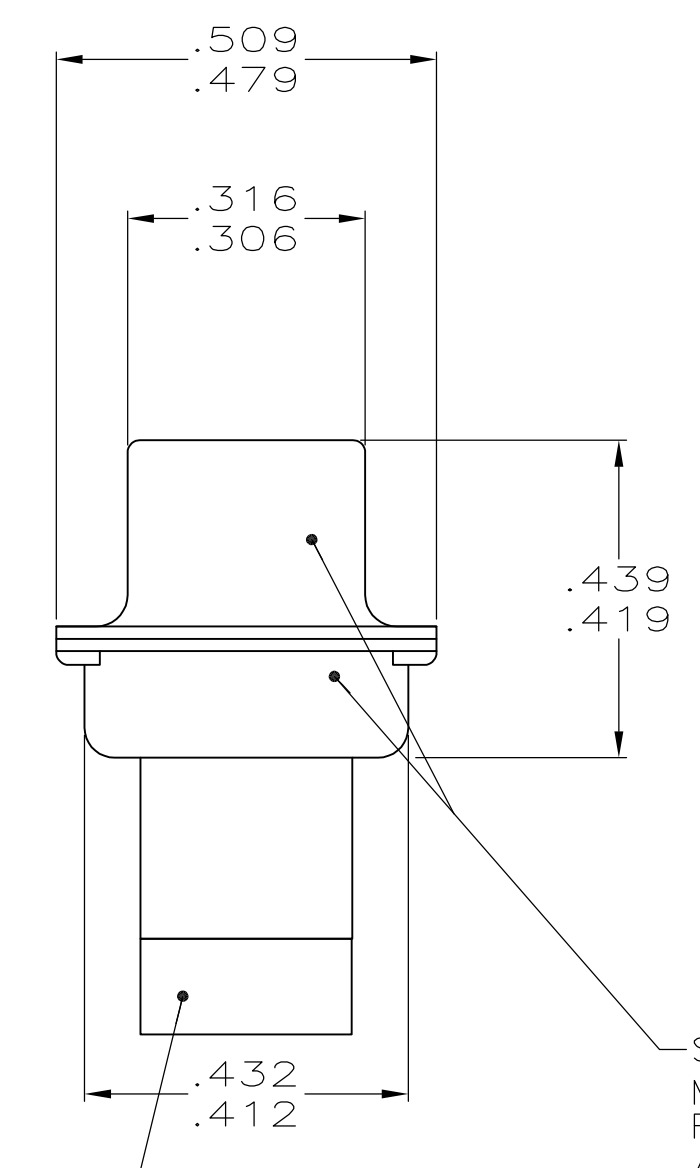
Address: A1208, Overseas Decoration Building, #122 Zhenhua RD., Futian, Shenzhen, China



- THIS RECEPTACLE WILL MATE WITH ANY PLUG CONNECTOR WITH THE SAME INSERT ARRANGEMENT AS DEFINED BY MS18273-2.
  - CONNECTOR SUPPLIED WITHOUT CONTACTS; SHOWN FOR ILLUSTRATION ONLY.
  - BE-CU RETENTION CLIPS ARE INCLUDED IN INSERT AND INSTALLED WITH TINES POINTING TOWARDS MATING FACE.
  - OVERALL DIMENSIONS DO NOT INCLUDE RAISED CAVITY IDENTIFICATION.
- 5 MARKING FAR SIDE REFERS TO WIDE SIDE OF KEYSTONE. NEAR SIDE REFERS TO NARROW SIDE OF KEYSTONE  
 6 100% INSPECTION REQUIRED PER BOEING 1B01:  
 A. VISUAL  
 B. DWV  
 C. IR  
 7 CUSTOMER REQUIRES SINGLE LOT DATE CODE.  
 8 SPECIAL REQUIREMENTS:  
 A. TEST TWO CONNECTORS PER LOT FOR COMPLIANCE TO GROMMET PEEL STRENGTH REQUIREMENTS.  
 B. TEST ALL CIRCUIT CAVITIES FOR MISALIGNMENT OR EXCESSIVE ADHESIVE.



5 FOR (-2, -4 & -7) MARK MFG'S NAME, BRAND OR LOGO AND DATE CODE FAR SIDE. CUSTOMER P/N MARKED NEAR SIDE  
 6 FOR (-1 & -11) CUSTOMER P/N MARKED ON FAR SIDE. MANUFACTURER'S NAME, BRAND OR LOGO AND MANUFACTURER'S PART NO AND DATE CODE MARKED ON NEAR SIDE. FOR (-2, -4 & -7) MARK MFG'S P/N FAR SIDE.



MFG'S P/N 206071-1  
 (SUPPLIED WITH 211667-7 ONLY)

SHELL, FRONT & REAR  
 MAT'L: BRASS PER ASTM B-19  
 FINISH: GOLD PLATED PER ASTM-B-488 OVER 0.000100  
 MIN COPPER PER AMS 2418

GROMMET  
 MAT'L: SILICONE RUBBER

	1B01-025RHW	1-211667-1	1-211667-1
CONTACTS INCLUDED	B010648-0002	211667-7	211667-7
---	---	211667-4	211667-4
	2A065-019V	211667-2	211667-2
	1B01-025	211667-1	211667-1
REMARKS	CUSTOMER PART NO.	MARKED MFG'S P/N	PART NO

THIS DRAWING IS A CONTROLLED DOCUMENT.

DIMENSIONS: INCHES	TOLERANCES UNLESS OTHERWISE SPECIFIED:	DWN: C.C. THOMAS 3-9-07	CHK: N. DEIBERT 3-9-07	APVD: N. DEIBERT 3-9-07	NAME: N. DEIBERT	PRODUCT SPEC: ---	APPLICATION SPEC: ---	SIZE: A1	CAGE CODE: 00779	DRAWING NO: 211667	RESTRICTED TO: ---
0 PLC ± .005	1 PLC ± .005	Tyco Electronics Corporation Harrisburg, PA 17105-3608		Tyco Electronics Corporation Harrisburg, PA 17105-3608		RECEPTACLE ASSY, AMPLIMITE, 15 POSN., SIZE 1, SERIES 90, NON-MAGNETIC WITH GROMMET		SCALE: 4:1	SHEET: 1 OF 1	REV: M	
2 PLC ± .005	3 PLC ± .005	CUSTOMER DRAWING		SCALE: 4:1		SHEET: 1 OF 1		REV: M			