



Chipsmall Limited consists of a professional team with an average of over 10 year of expertise in the distribution of electronic components. Based in Hongkong, we have already established firm and mutual-benefit business relationships with customers from,Europe,America and south Asia,supplying obsolete and hard-to-find components to meet their specific needs.

With the principle of "Quality Parts,Customers Priority,Honest Operation,and Considerate Service",our business mainly focus on the distribution of electronic components. Line cards we deal with include Microchip,ALPS,ROHM,Xilinx,Pulse,ON,Everlight and Freescale. Main products comprise IC,Modules,Potentiometer,IC Socket,Relay,Connector.Our parts cover such applications as commercial,industrial, and automotives areas.

We are looking forward to setting up business relationship with you and hope to provide you with the best service and solution. Let us make a better world for our industry!



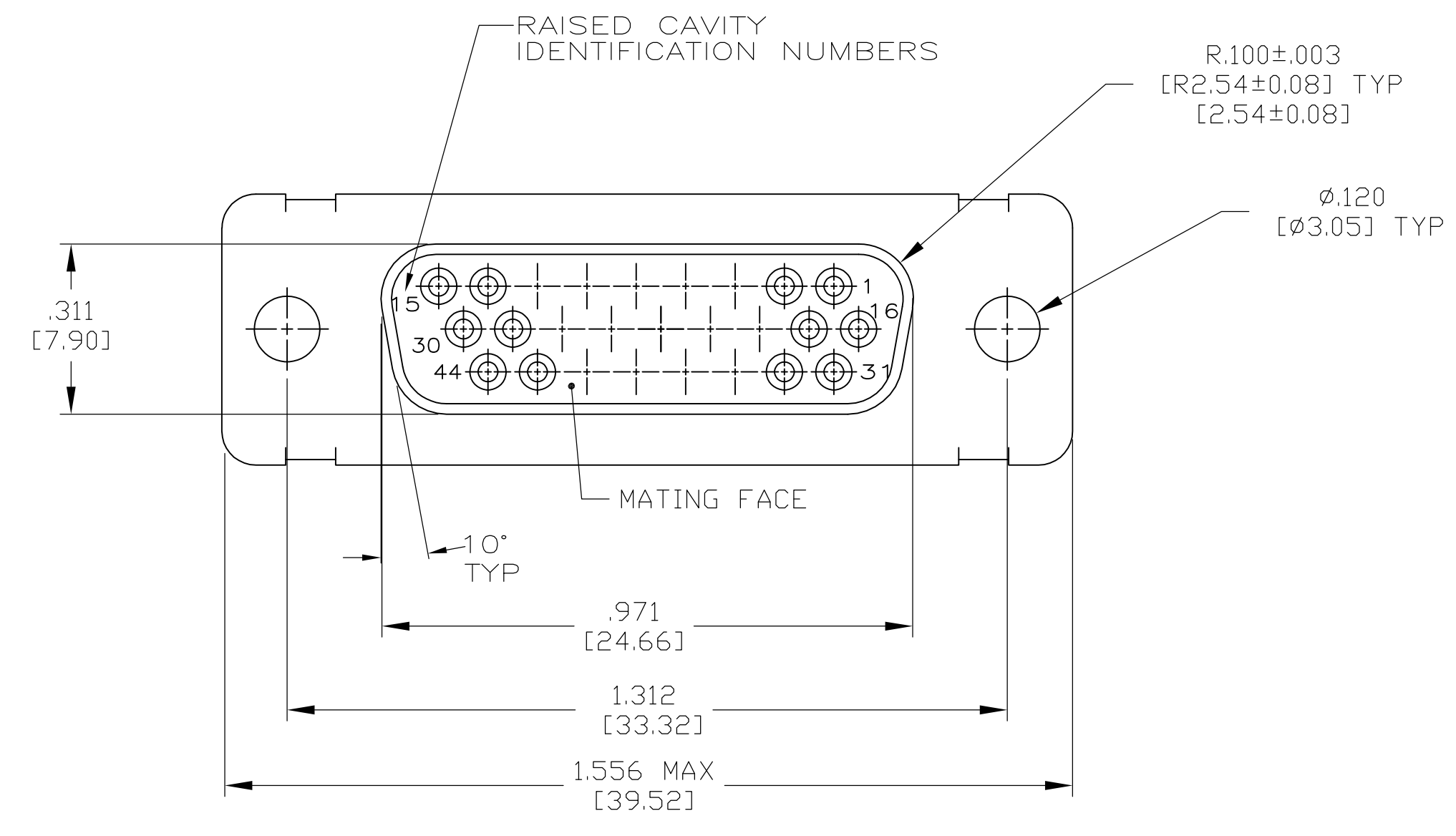
## Contact us

Tel: +86-755-8981 8866 Fax: +86-755-8427 6832

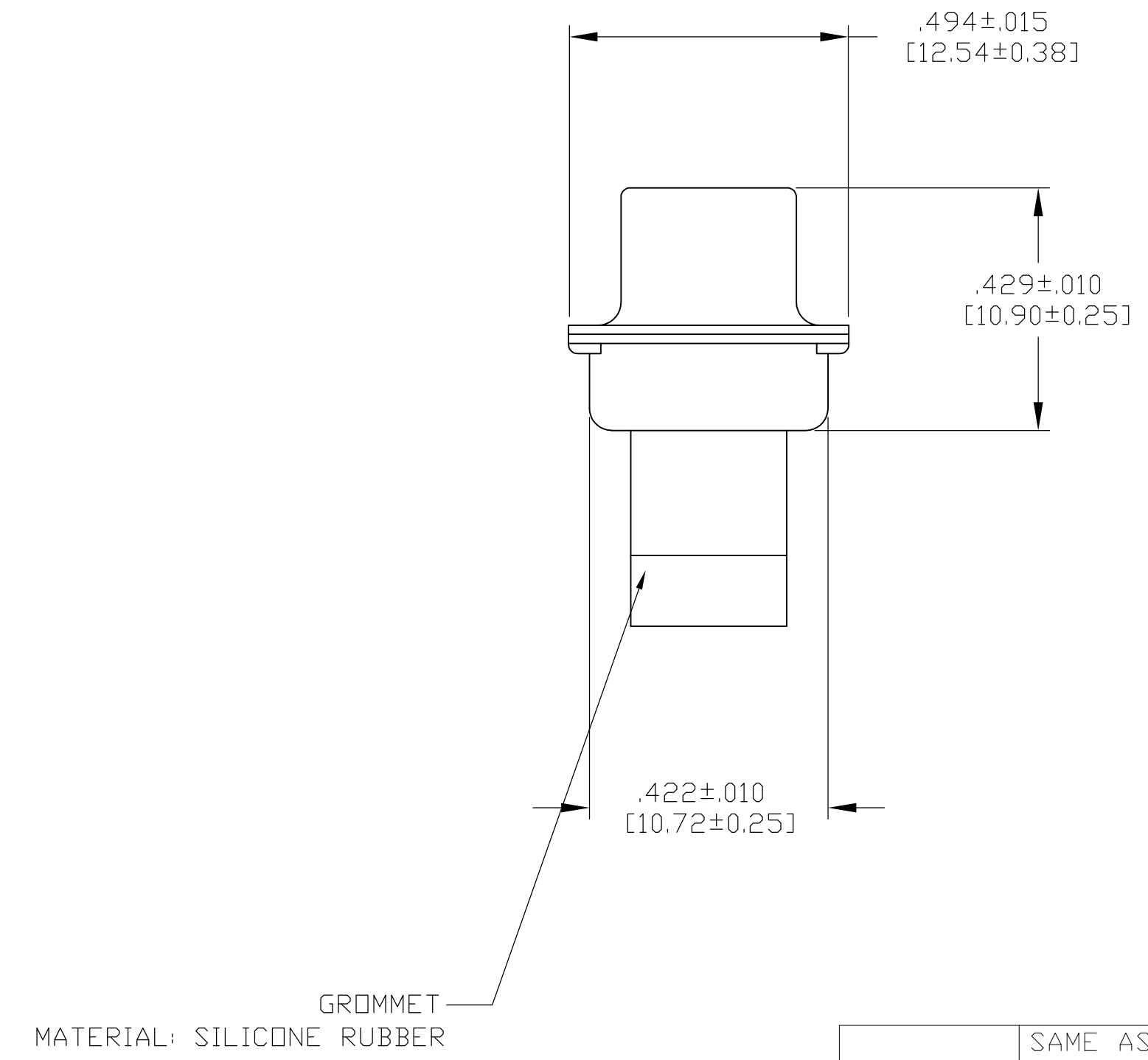
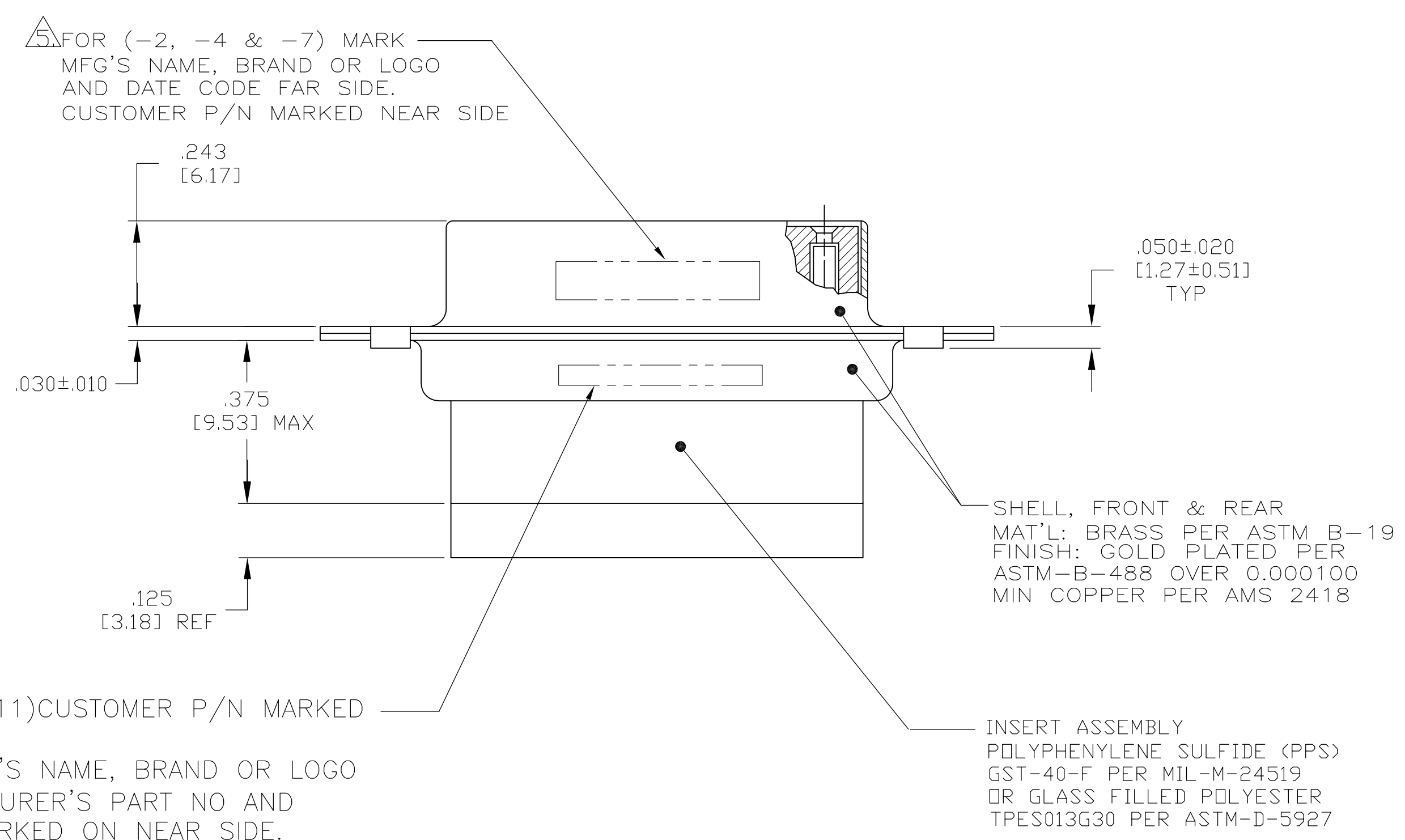
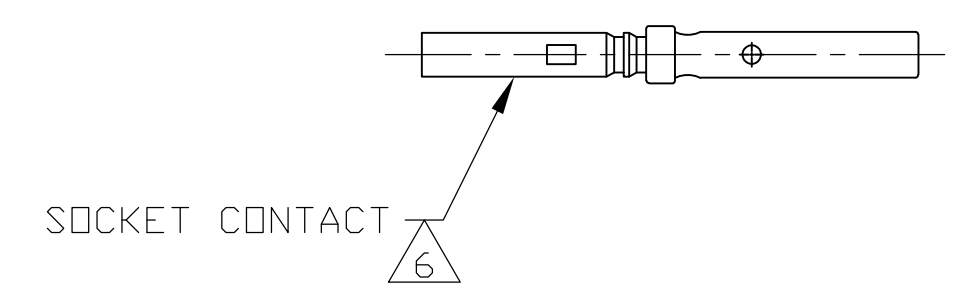
Email & Skype: info@chipsmall.com Web: www.chipsmall.com

Address: A1208, Overseas Decoration Building, #122 Zhenhua RD., Futian, Shenzhen, China





1. THIS RECEPTACLE WILL MATE WITH ANY 26 POSN, SIZE 2 PLUG IN AMPLIMITE SERIES.
  2. BE-CU RETENTION CLIPS ARE INCLUDED IN INSERT AND INSTALLED WITH TINES POINTING TOWARDS MATING FACE.
  3. CONNECTOR SUPPLIED WITHOUT CONTACTS, SHOWN FOR ILLUSTRATION ONLY. SEE NOTE 6.
  4. OVERALL DIMENSIONS DO NOT INCLUDE RAISED CAVITY IDENTIFICATION.
- △ MARKING FAR SIDE REFERS TO WIDE SIDE OF KEYSTONE.  
 △ NEAR SIDE REFERS TO NARROW SIDE OF KEYSTONE  
 △ SOCKET CONTACT (QTY=26) INCLUDED IN KIT. (-7 ONLY)
- △ 100% INSPECTION REQUIRED PER BOEING 1B01:  
 A. VISUAL  
 B. DWV  
 C. IR
- △ CUSTOMER REQUIRES SINGLE LOT DATE CODE.
- △ SPECIAL REQUIREMENTS:  
 A. TEST TWO CONNECTORS PER LOT FOR COMPLIANCE TO GROMMET PEEL STRENGTH REQUIREMENTS.  
 B. TEST ALL CIRCUIT CAVITIES FOR MISALIGNMENT OR EXCESSIVE ADHESIVE.



REMARKS	DESCRIPTION	PART NO
-	SAME AS -1 EXCEPT CUSTOMER PART NO. 1B01-026RHW MARKED	1-211668-1
△ 6	SAME AS -1 EXCEPT FORD PART NO. B010648-0004 MARKED	211668-7
-	SAME AS -1 EXCEPT NO CUSTOMER PART NO MARKED	211668-4
-	SAME AS -1 EXCEPT WITH TRW PART NUMBER 2A065-020V-001 MARKED	211668-2
-	AS SHOWN-WITH HUGHES PART NO 1B01-026 MARKED	211668-1

THIS DRAWING IS A CONTROLLED DOCUMENT.		DWN P. YEAGER 26JUN06	Tyco Electronics Corporation Harrisburg, PA 17105-3608
DIMENSIONS: INCHES [mm]		CHK D. MILLER 30JUN06	
TOLERANCES UNLESS OTHERWISE SPECIFIED:		APP'D D. MILLER 30JUN06	NAME RECEPTACLE ASSEMBLY, AMPLIMITE 26 POSITION, SIZE 2, SERIES 90, NON-MAGNETIC, SPECIAL WITH GROMMET
0. PLC ± -		PRODUCT SPEC	
1. PLC ± -		APPLICATION SPEC	SIZE A1
2. PLC ± -		WEIGHT -	CAGE CODE 00779
3. PLC ± .005 [0.13]		CUSTOMER DRAWING	DRAWING NO 211668
4. PLC ± -		SCALE 4:1	SHEET 1 OF 1
ANGLES ± -		REV K	
FINISH SEE CALLOUTS			