



Chipsmall Limited consists of a professional team with an average of over 10 year of expertise in the distribution of electronic components. Based in Hongkong, we have already established firm and mutual-benefit business relationships with customers from,Europe,America and south Asia,supplying obsolete and hard-to-find components to meet their specific needs.

With the principle of "Quality Parts,Customers Priority,Honest Operation,and Considerate Service",our business mainly focus on the distribution of electronic components. Line cards we deal with include Microchip,ALPS,ROHM,Xilinx,Pulse,ON,Everlight and Freescale. Main products comprise IC,Modules,Potentiometer,IC Socket,Relay,Connector.Our parts cover such applications as commercial,industrial, and automotives areas.

We are looking forward to setting up business relationship with you and hope to provide you with the best service and solution. Let us make a better world for our industry!



Contact us

Tel: +86-755-8981 8866 Fax: +86-755-8427 6832

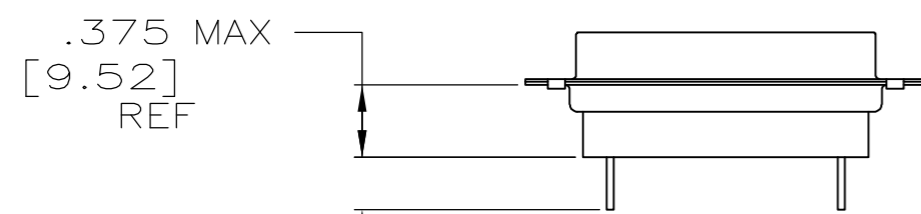
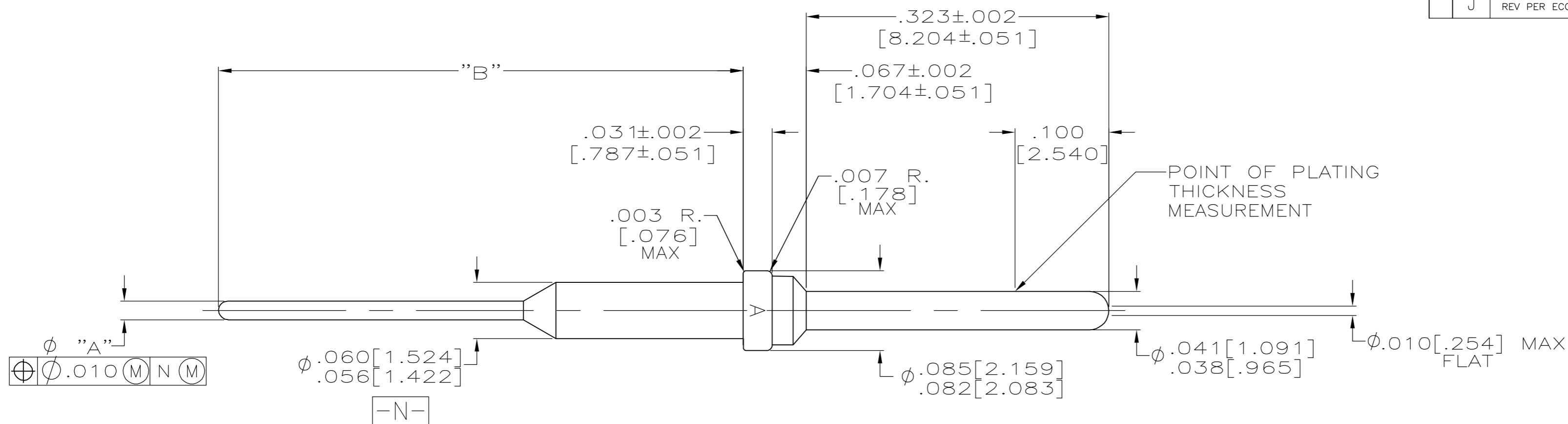
Email & Skype: info@chipsmall.com Web: www.chipsmall.com

Address: A1208, Overseas Decoration Building, #122 Zhenhua RD., Futian, Shenzhen, China



THIS DRAWING IS UNPUBLISHED. RELEASED FOR PUBLICATION
 © COPYRIGHT BY TYCO ELECTRONICS CORPORATION. ALL RIGHTS RESERVED.

LOC	DIST	REVISIONS					
DF	DO	P	LTR	DESCRIPTION	DATE	DWN	APVD
		J		REV PER ECO 07-009536	26APR07	PY	ND



POST PROJECTION WHEN USED IN A STANDARD CONNECTOR
 SCALE 1:1

PRELIMINARY- NOT RELEASED FOR PRODUCTION	.330 [8.38]	.560 [14.224]	.020/.016 [1.508/.406]	2-212565-3
PRELIMINARY- NOT RELEASED FOR PRODUCTION	.330 [8.38]	.560 [14.224]	.0192/.0155 [1.4877/.3937]	2-212565-2
PRELIMINARY- NOT RELEASED FOR PRODUCTION	.470 [11.94]	.700 [17.78]	.020/.016 [1.508/.406]	2-212565-1
	.330 [8.38]	.560 [14.224]	.020/.016 [1.508/.406]	1-212565-0
OBSOLETE	.161 [4.089]	.446 [11.328]	.042/.038 [1.067/.965]	212565-9
OBSOLETE	.161 [4.089]	.446 [11.328]	.032/.028 [1.813/.7112]	212565-8
OBSOLETE	.161 [4.089]	.446 [11.328]	.026/.022 [1.660/.559]	212565-7
OBSOLETE	.130 [3.302]	.415 [10.541]	.042/.038 [1.067/.965]	212565-6
OBSOLETE	.130 [3.302]	.415 [10.541]	.032/.028 [1.813/.7112]	212565-5
OBSOLETE	.130 [3.302]	.415 [10.541]	.026/.022 [1.660/.559]	212565-4
OBSOLETE	.098 [2.489]	.383 [9.728]	.042/.038 [1.067/.965]	212565-3
OBSOLETE	.098 [2.489]	.383 [9.728]	.032/.028 [1.813/.7112]	212565-2
OBSOLETE	.098 [2.489]	.383 [9.728]	.026/.022 [1.660/.559]	212565-1
	DIM C	DIM B	DIM A	PART NUMBER

- 1 CONTACT BODY MAT'L: LEADED NICKEL COPPER (PROPRIETARY)
EQUIVALENT ALTERNATE MAT'L: COPPER ALLOY PER ASTM-B-197
- 2 FINISH: PLATED GOLD PER MIL-G-45204 TYPE II, GRADE C CLASS 1 OVER COPPER PER MIL-C-14550, CLASS IV.
- 3. FOR USE IN P.C. BOARD.
- 4. CONTACT CAN BE USED IN ANY STANDARD HD-20 PLUG CONNECTOR.
- 5. INSERTION/EXTRACTION TOOL AMP P/N 91067-2.
- 6. CONTACTS MEET ALL APPLICABLE PERFORMANCE REQUIREMENTS OF MIL-C-39029.

THIS DRAWING IS A CONTROLLED DOCUMENT.

DIMENSIONS: INCHES	TOLERANCES UNLESS OTHERWISE SPECIFIED:	DWN T. ALEXANDER 11-12-91	Tyco Electronics Corporation Harrisburg, PA 17105-3608
	0 PLC ± -	CHK F. KINSEY 11-18-91	
	1 PLC ± -	APVD F. KINSEY 11-18-91	
	2 PLC ± -	PRODUCT SPEC	
MATERIAL	FINISH	APPLICATION SPEC	NAME POSTED PIN, AMPLIMITE, SIZE 20
		WEIGHT	SIZE A2 CAGE CODE 00779 DRAWING NO C=212565
		CUSTOMER DRAWING	RESTRICTED TO

SCALE 10:1 SHEET 1 of 1 REV J