



Chipsmall Limited consists of a professional team with an average of over 10 year of expertise in the distribution of electronic components. Based in Hongkong, we have already established firm and mutual-benefit business relationships with customers from,Europe,America and south Asia,supplying obsolete and hard-to-find components to meet their specific needs.

With the principle of "Quality Parts,Customers Priority,Honest Operation,and Considerate Service",our business mainly focus on the distribution of electronic components. Line cards we deal with include Microchip,ALPS,ROHM,Xilinx,Pulse,ON,Everlight and Freescale. Main products comprise IC,Modules,Potentiometer,IC Socket,Relay,Connector.Our parts cover such applications as commercial,industrial, and automotives areas.

We are looking forward to setting up business relationship with you and hope to provide you with the best service and solution. Let us make a better world for our industry!



Contact us

Tel: +86-755-8981 8866 Fax: +86-755-8427 6832

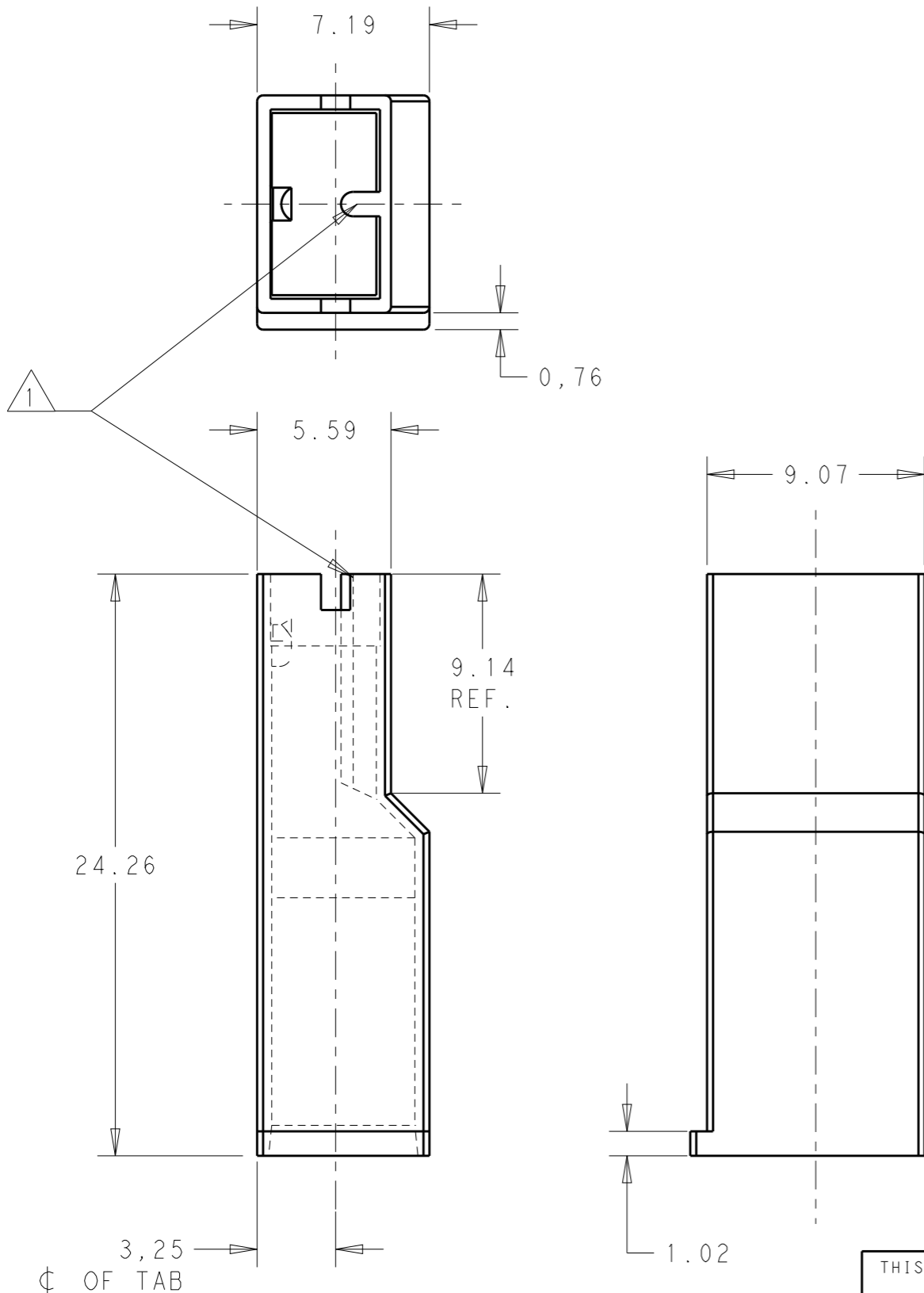
Email & Skype: info@chipsmall.com Web: www.chipsmall.com

Address: A1208, Overseas Decoration Building, #122 Zhenhua RD., Futian, Shenzhen, China



THIS DRAWING IS UNPUBLISHED. RELEASED FOR PUBLICATION 20
 © COPYRIGHT 20 TE CONNECTIVITY ALL RIGHTS RESERVED.

LOC	DIST	REVISIONS			
P	LTR	DESCRIPTION	DATE	DWN	APVD
AP	-	A	RELEASED	14JUN2011	HC WLS
		B	REV. BY ECO-12-014195	03AUG2012	HC WLS
		B1	REV. BY ECO-15-007760	22MAI2015	HC WLS
		B2	REVISED BY ECO 16-014328	03OCT2016	HC WLS



- △1 - RIB MAY EXTEND TO FRONT OF HOUSING.
- △2 - MATERIAL: PA 6.6 ACC. TO SPEC. IEC 60335 GWT 850°C - WITHOUT FLAME.
- △3 - HEAT STABILIZED

BLACK	PA 6.6 - HB △3	1-2133341-3
NATURAL	PA 6.6 - UL94 - V0 - GWT △2	1-2133341-2
NATURAL	PA 6.6 - UL94 - V0	1-2133341-1
BLUE	PA 6.6 - UL94 - V2	2133341-6
GREEN		2133341-5
YELLOW		2133341-4
RED		2133341-3
NATURAL		2133341-2
BLACK		2133341-1
COLOR	MATERIAL	PART NUMBER

THIS DRAWING IS A CONTROLLED DOCUMENT.		DWN H.C. CANTER 25MAY2011	STE TE Connectivity	
		CHK W.L. STEFANI 25MAY2011		
DIMENSIONS: mm		APVD -		NAME MKI .250 POSITIVE LOCK RECEPTACLE INSULATOR MKI .250 POSITIVE LOCK
TOLERANCES UNLESS OTHERWISE SPECIFIED: 0 PLC ± 1 PLC ±0,5 2 PLC ±0,5 3 PLC ± 4 PLC ± ANGLES ± FINISH -		PRODUCT SPEC 108-3252	RESTRICTED TO -	
MATERIAL SEE TABLE		APPLICATION SPEC 114-2153	SIZE A3	CAGE CODE 00779
		WEIGHT -	DRAWING NO C-2133341	
		CUSTOMER DRAWING	SCALE 4/1	SHEET 1 OF 1
			REV B2	