



Chipsmall Limited consists of a professional team with an average of over 10 year of expertise in the distribution of electronic components. Based in Hongkong, we have already established firm and mutual-benefit business relationships with customers from,Europe,America and south Asia,supplying obsolete and hard-to-find components to meet their specific needs.

With the principle of “Quality Parts,Customers Priority,Honest Operation,and Considerate Service”,our business mainly focus on the distribution of electronic components. Line cards we deal with include Microchip,ALPS,ROHM,Xilinx,Pulse,ON,Everlight and Freescale. Main products comprise IC,Modules,Potentiometer,IC Socket,Relay,Connector.Our parts cover such applications as commercial,industrial, and automotives areas.

We are looking forward to setting up business relationship with you and hope to provide you with the best service and solution. Let us make a better world for our industry!



## Contact us

Tel: +86-755-8981 8866 Fax: +86-755-8427 6832

Email & Skype: info@chipsmall.com Web: www.chipsmall.com

Address: A1208, Overseas Decoration Building, #122 Zhenhua RD., Futian, Shenzhen, China



THIS DRAWING IS UNPUBLISHED. RELEASED FOR PUBLICATION 20

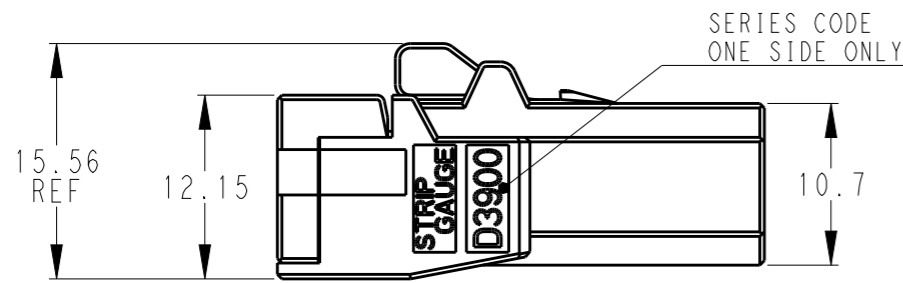
© COPYRIGHT 2011JUN BY Tyco Electronics Japan G.K. ALL RIGHTS RESERVED.

LOC J DIST -

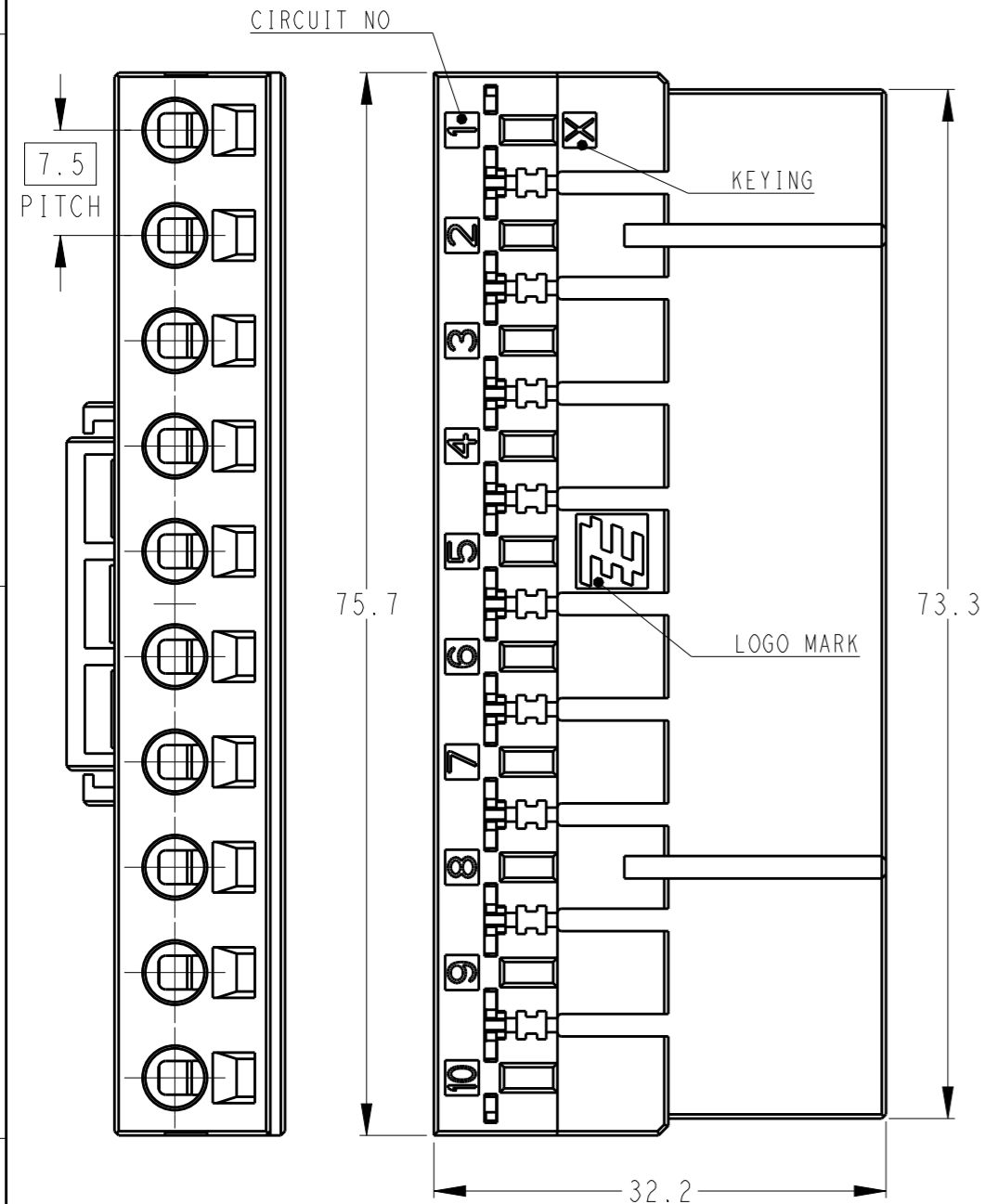
REVISIONS

P	LTR	DESCRIPTION	ECN	DATE	DWN	APVD
A		RELEASED		19APR2010	T.K	T.M
B		ADDITION PART NO		02JUN2011	M.M	N.Y
C		REVISED		17JUN2014	H.O	N.Y

1-2134249-0 (10POS, X-KEY)



SERIES CODE ONE SIDE ONLY

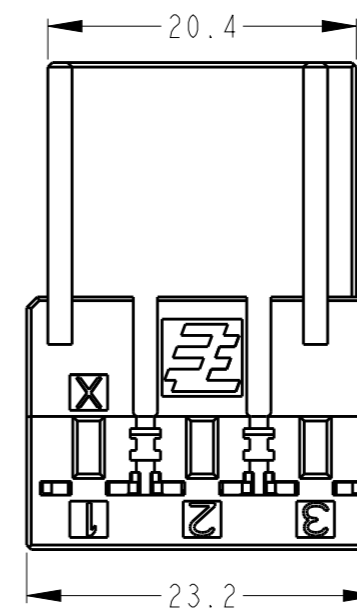


CIRCUIT NO

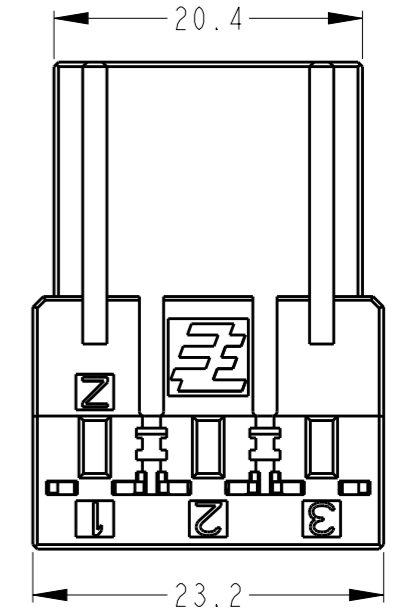
DATE CODE

KEYING

LOGO MARK



1-2134249-3 (3POS, X-KEY)



3-2134249-3 (3POS, Z-KEY)

- 1. MATERIAL:  
HOUSING : THERMO PLASTIC POLYESTER (BLACK)
- 2. MATERIAL:  
CONTACT : COPPER ALLOY  
FINISH : (ALL OVER)  
NICKEL PLATED 0.00127mmMIN (CONTACT AREA)  
GOLD PLATED 0.00038mmMIN OVER NICKEL (SPRING AREA)  
TIN PLATED 0.002mmMIN OVER NICKEL
- 3. MATERIAL:  
SPRING : STAINLESS STEEL

4. SEE INSTRUCTION SHEET 411-78272

3	Z	3-2134249-3
10	X	1-2134249-0
3	X	1-2134249-3
POS	KEY	PART NO

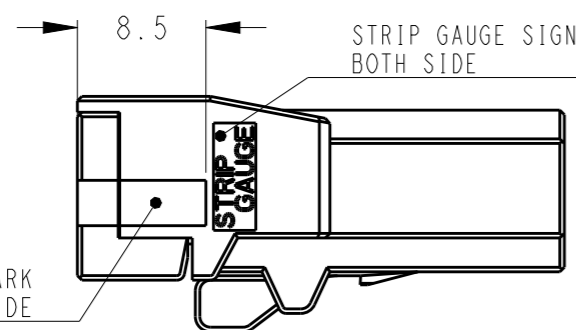
THIS DRAWING IS A CONTROLLED DOCUMENT.

DIMENSIONS:		TOLERANCES UNLESS OTHERWISE SPECIFIED:	
mm		±0.3, ±5°	
0 PLC	±		
1 PLC	±		
2 PLC	±		
3 PLC	±		
4 PLC	±		
ANGLES	±		
MATERIAL		FINISH	
1 2 3		2	

DWN	T. KUDO	19APR2010
CHK	N. YAMASAKI	19APR2010
APVD	N. YAMASAKI	19APR2010
PRODUCT SPEC	108-78400	
APPLICATION SPEC	-	
WEIGHT	-	
CUSTOMER DRAWING		

STE TE Connectivity

NAME			
DYNAMIC D3900S 7.5mmPITCH REC ASSY (SPRING CLAMP TYPE) 3, 10POS TYPE-A			
SIZE	CAGE CODE	DRAWING NO	RESTRICTED TO
A3	00779	C-2134249	-
SCALE		SHEET	REV
2:1		1 OF 1	C



INSULATION STRIP MARK BOTH SIDE