



Chipsmall Limited consists of a professional team with an average of over 10 year of expertise in the distribution of electronic components. Based in Hongkong, we have already established firm and mutual-benefit business relationships with customers from,Europe,America and south Asia,supplying obsolete and hard-to-find components to meet their specific needs.

With the principle of “Quality Parts,Customers Priority,Honest Operation,and Considerate Service”,our business mainly focus on the distribution of electronic components. Line cards we deal with include Microchip,ALPS,ROHM,Xilinx,Pulse,ON,Everlight and Freescale. Main products comprise IC,Modules,Potentiometer,IC Socket,Relay,Connector.Our parts cover such applications as commercial,industrial, and automotives areas.

We are looking forward to setting up business relationship with you and hope to provide you with the best service and solution. Let us make a better world for our industry!



Contact us

Tel: +86-755-8981 8866 Fax: +86-755-8427 6832

Email & Skype: info@chipsmall.com Web: www.chipsmall.com

Address: A1208, Overseas Decoration Building, #122 Zhenhua RD., Futian, Shenzhen, China

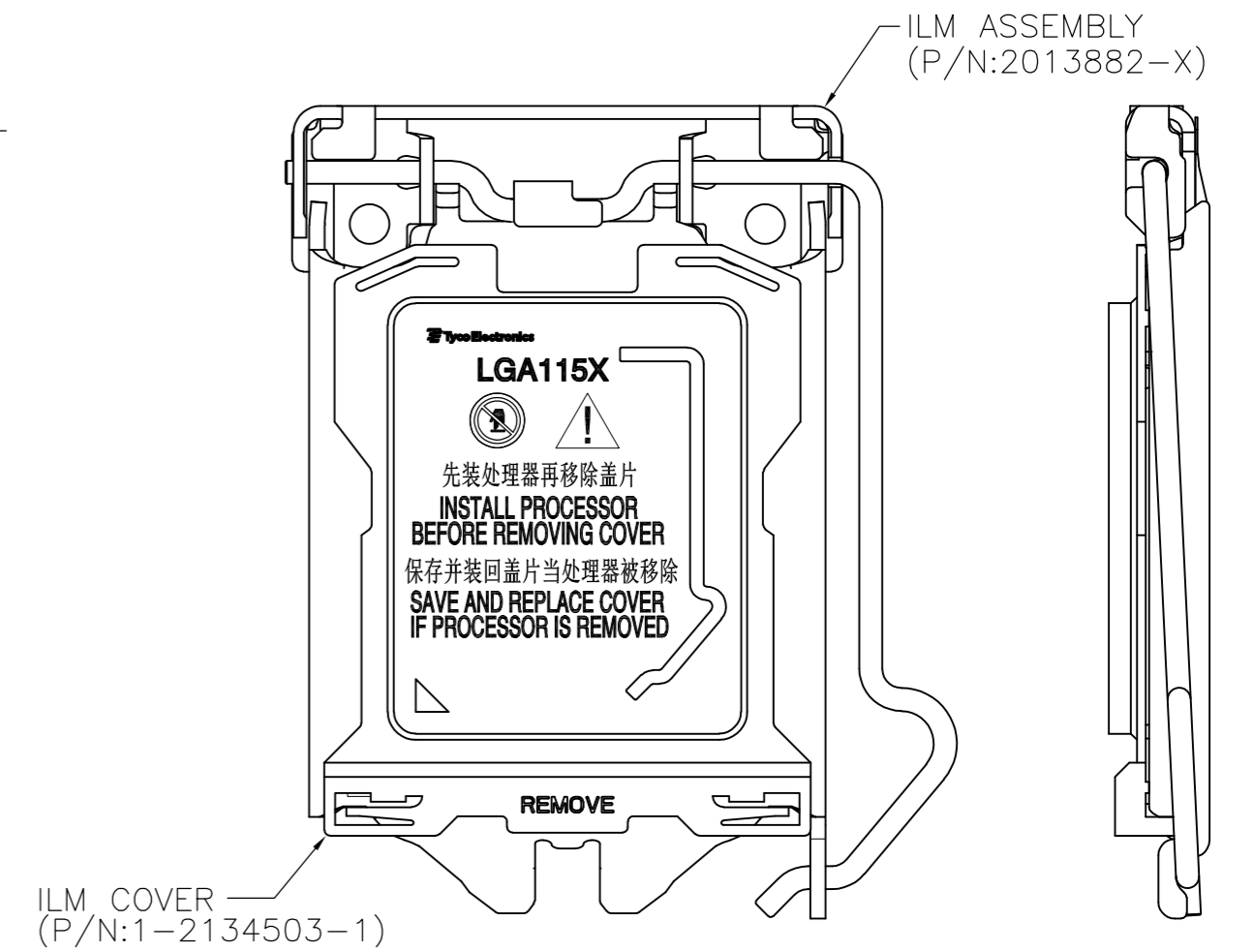
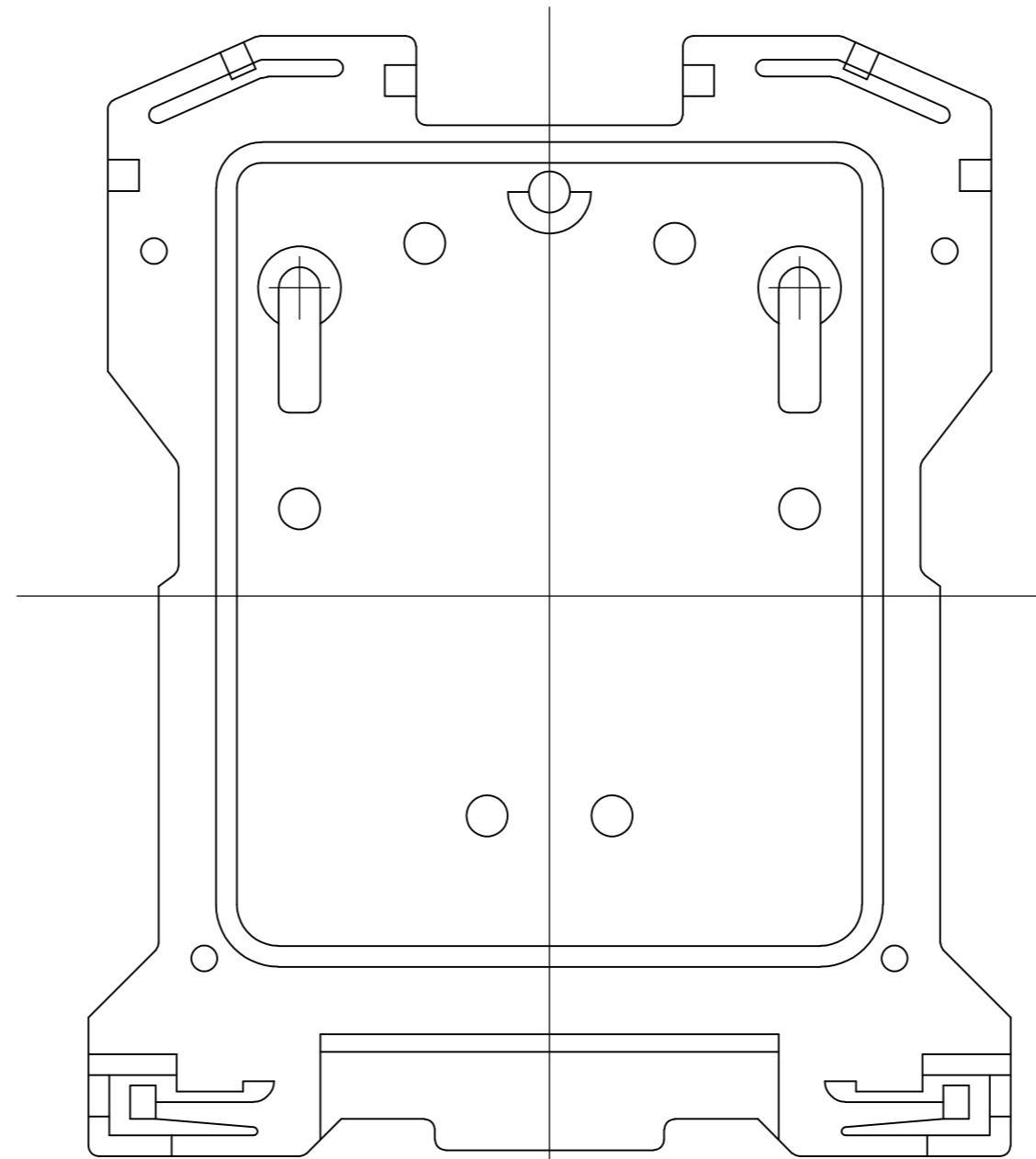
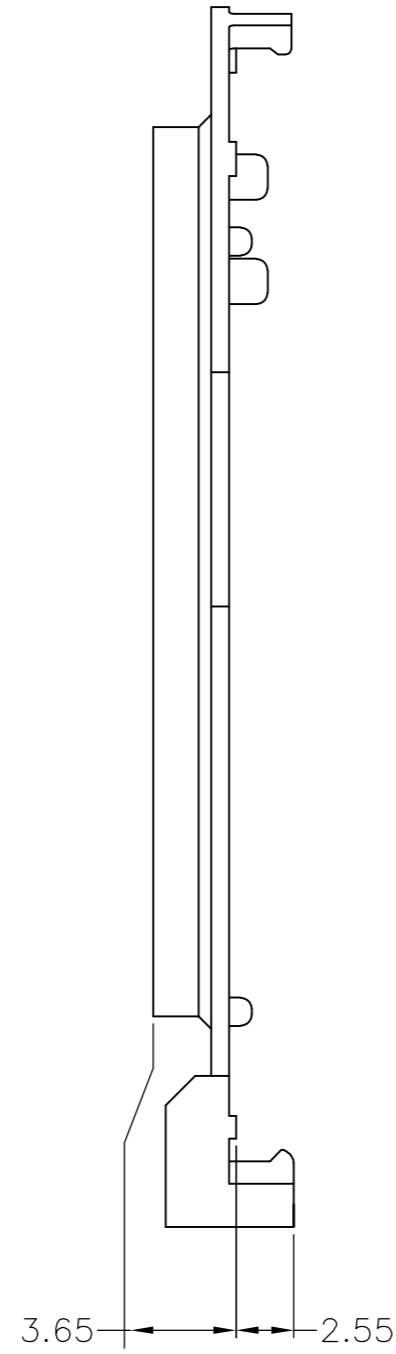
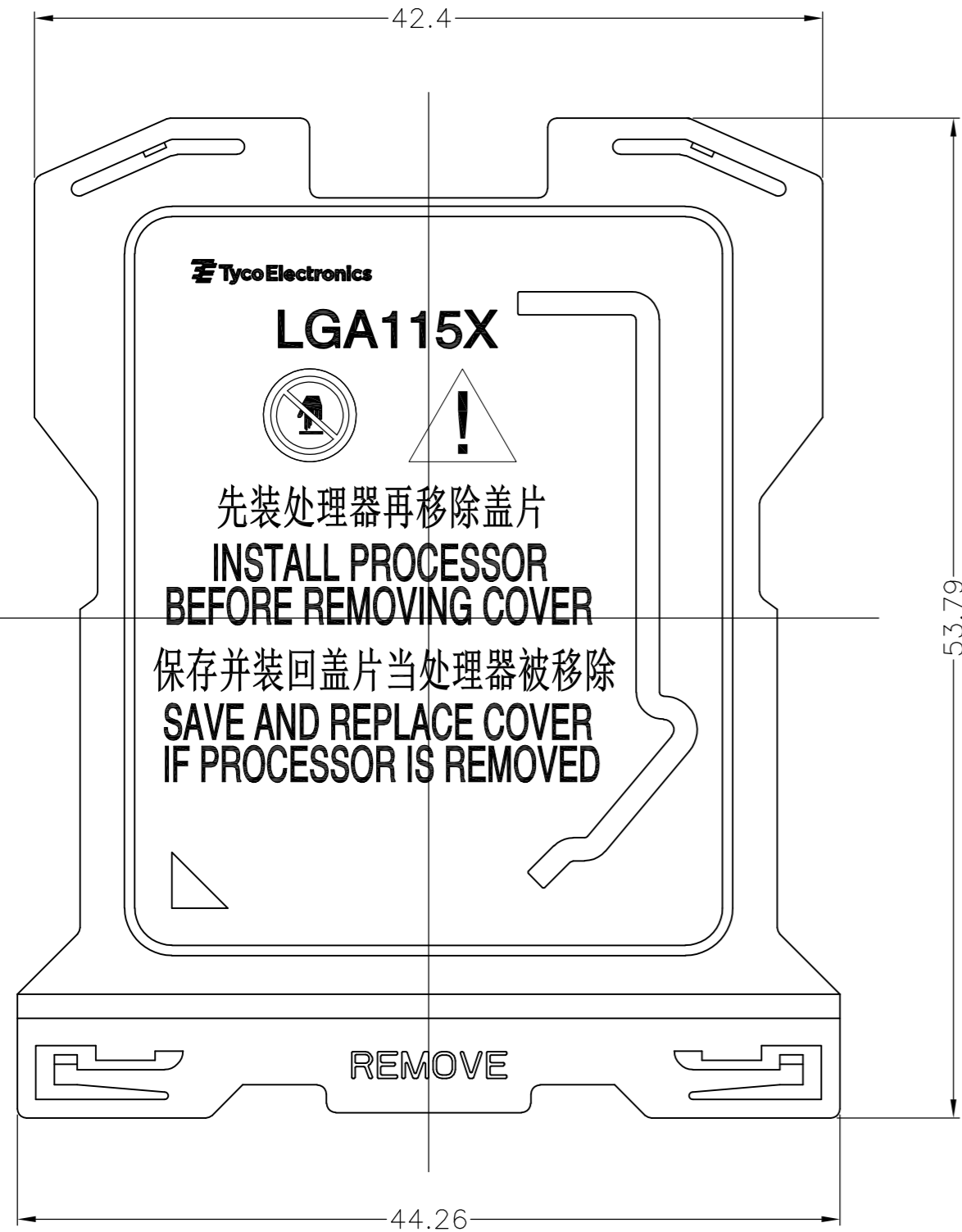
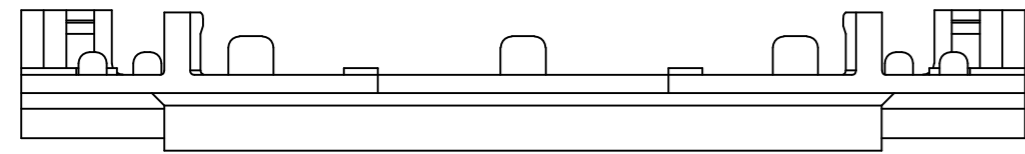


THIS DRAWING IS UNPUBLISHED. RELEASED FOR PUBLICATION
 © COPYRIGHT - By Tyco Electronics Japan G.K. ALL RIGHTS RESERVED.

LOC	DIST	REVISIONS				
		P	LTR	DESCRIPTION	DATE	DWN
J	-	C1	REVISED	10MAR2016	J.W	S.L

NOTES

1. MATERIAL : THERMO-PLASTIC, UL94 V-2, BLACK
2. THIS PRODUCT IS APPLICABLE FOR ILM ASSEMBLY OF LGA115X
REFERENCE P/N: 2013882-X



REFERENCE
 ILM ASSEMBLY WITH COVER

P/N: 1-2134503-1 AS SHOWN

THIS DRAWING IS A CONTROLLED DOCUMENT.		DWN T.TOKUNAGA 18NOV2010		
DIMENSIONS: 单位: 毫米 mm		CHK H.TAGUCHI 18NOV2010		
TOLERANCES UNLESS OTHERWISE SPECIFIED: 一般公差		APVD T.NAKASHIMA 18NOV2010	NAME ILM COVER LGA115X	
0 PLC ± 0.3 1 PLC ± 0.3 2 PLC ± 0.3 3 PLC ± 0.3 4 PLC ± 0.3 ANGLES ± 3°		PRODUCT SPEC 製品規格	SIZE A2	CAGE CODE 00779
MATERIAL 材料		APPLICATION SPEC 取付適用規格	DRAWING NO 番号 C-2134503	RESTRICTED TO -
		WEIGHT 2.7 g	SCALE 尺度 NTS	SHEET 1 OF 1
		CUSTOMER DRAWING	REV C1	