



Chipsmall Limited consists of a professional team with an average of over 10 year of expertise in the distribution of electronic components. Based in Hongkong, we have already established firm and mutual-benefit business relationships with customers from,Europe,America and south Asia,supplying obsolete and hard-to-find components to meet their specific needs.

With the principle of “Quality Parts,Customers Priority,Honest Operation,and Considerate Service”,our business mainly focus on the distribution of electronic components. Line cards we deal with include Microchip,ALPS,ROHM,Xilinx,Pulse,ON,Everlight and Freescale. Main products comprise IC,Modules,Potentiometer,IC Socket,Relay,Connector.Our parts cover such applications as commercial,industrial, and automotives areas.

We are looking forward to setting up business relationship with you and hope to provide you with the best service and solution. Let us make a better world for our industry!



Contact us

Tel: +86-755-8981 8866 Fax: +86-755-8427 6832

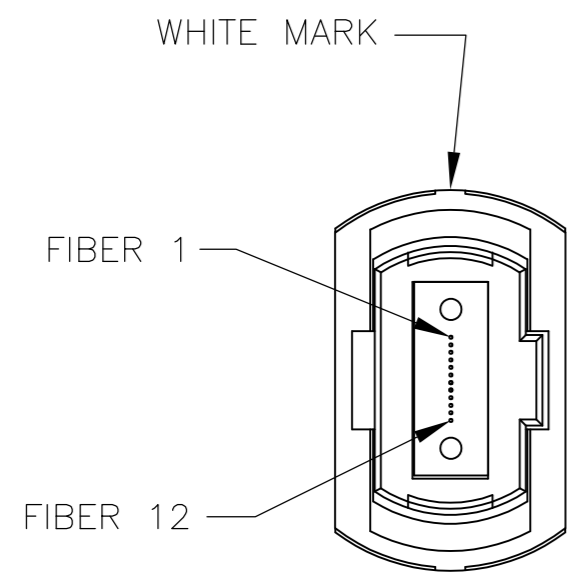
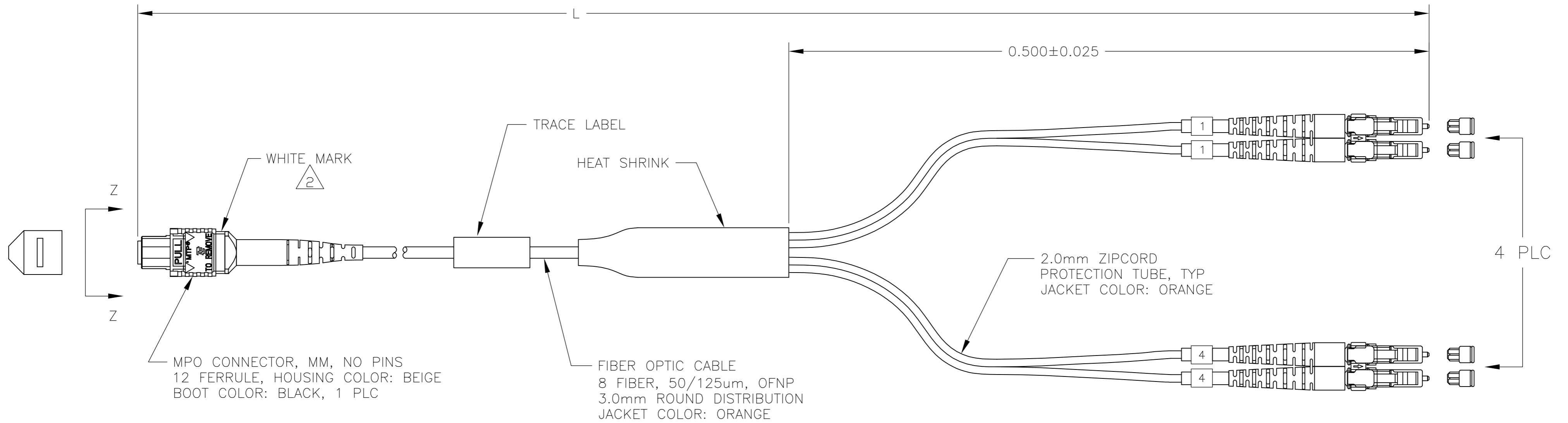
Email & Skype: info@chipsmall.com Web: www.chipsmall.com

Address: A1208, Overseas Decoration Building, #122 Zhenhua RD., Futian, Shenzhen, China



THIS DRAWING IS UNPUBLISHED. RELEASED FOR PUBLICATION
 © COPYRIGHT - By - ALL RIGHTS RESERVED.

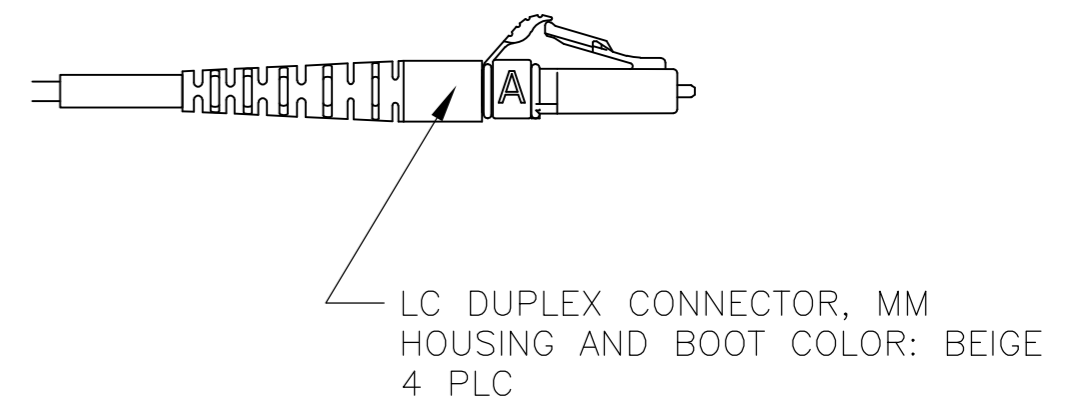
LOC	DIST	REVISIONS			
P	LTR	DESCRIPTION	DATE	DWN	APVD
CE	00	B	ECR-12-003371	02MAR2012	KZ RZ



VIEW Z-Z
NOT TO SCALE

MPO FIBER NO	LC CONNECTOR
1	1B
2	2B
3	3B
4	4B
5	NOT USED
6	NOT USED
7	NOT USED
8	NOT USED
9	4A
10	3A
11	2A
12	1A

MPO CONNECTOR FIBER PATH



THIS DRAWING IS A CONTROLLED DOCUMENT.		DWN DAVIS WANG 30DEC2010		TE Connectivity	
DIMENSIONS: METERS		CHK JAMES ZHOU 30DEC2010		NAME CABLE ASSEMBLY, FIBER OPTIC, QSFP BREAKOUT OFNP 8 FIBER 3mm ROUND CABLE, 50/125 MPO NO/PINS TO 4 LC DUPLEX	
TOLERANCES UNLESS OTHERWISE SPECIFIED:		APVD RICHARD ZHAO 30DEC2010	PRODUCT SPEC		
MATERIAL		FINISH	APPLICATION SPEC		
WEIGHT		SCALE	SIZE A2	CAGE CODE 00779	DRAWING NO C=2148035
CUSTOMER DRAWING		SCALE NTS	SHEET 1 of 2		REV B

THIS DRAWING IS UNPUBLISHED. RELEASED FOR PUBLICATION
 © COPYRIGHT - By - ALL RIGHTS RESERVED.

LOC	DIST	REVISIONS					
CE	00	P	LTR	DESCRIPTION	DATE	DWN	APVD
		-	-	SEE SHEET 1	-	-	-

PART NUMBER	L		MPO MAX IL	LC MAX IL
	MAX	MIN	(dB) $\triangle 1$	(dB) $\triangle 1$
2148035-1	1.050	0.950	0.70	0.30
2148035-2	2.050	1.950	0.70	0.30
2148035-3	3.050	2.950	0.70	0.30
2148035-4	4.080	3.920	0.71	0.31
2148035-5	5.080	4.920	0.71	0.31
2148035-6	6.080	5.920	0.71	0.31
2148035-7	7.080	6.920	0.71	0.31
2148035-8	8.080	7.920	0.71	0.31
2148035-9	9.150	8.850	0.71	0.31
1-2148035-0	10.150	9.850	0.72	0.32
1-2148035-1	11.150	10.850	0.72	0.32
1-2148035-2	12.150	11.850	0.72	0.32
1-2148035-3	13.150	12.850	0.72	0.32
1-2148035-4	14.150	13.850	0.72	0.32
1-2148035-5	15.150	14.850	0.72	0.32
1-2148035-6	16.160	15.840	0.72	0.32
1-2148035-7	17.170	16.830	0.73	0.33
1-2148035-8	18.180	17.820	0.73	0.33
1-2148035-9	19.190	18.810	0.73	0.33
2-2148035-0	20.200	19.800	0.73	0.33
2-2148035-1	21.210	20.790	0.73	0.33
2-2148035-2	22.220	21.780	0.73	0.33
2-2148035-3	23.230	22.770	0.73	0.33
2-2148035-4	24.240	23.760	0.74	0.34
2-2148035-5	25.250	24.750	0.74	0.34
2-2148035-6	26.260	25.740	0.74	0.34
2-2148035-7	27.270	26.730	0.74	0.34
2-2148035-8	28.280	27.720	0.74	0.34
2-2148035-9	29.290	28.710	0.74	0.34
3-2148035-0	30.300	29.700	0.75	0.35
3-2148035-1	31.310	30.690	0.75	0.35
3-2148035-2	32.320	31.680	0.75	0.35
3-2148035-3	33.330	32.670	0.75	0.35
3-2148035-4	34.340	33.660	0.75	0.35
3-2148035-5	35.350	34.650	0.75	0.35
3-2148035-6	36.360	35.640	0.75	0.35
3-2148035-7	37.370	36.630	0.76	0.36
3-2148035-8	38.380	37.620	0.76	0.36
3-2148035-9	39.390	38.610	0.76	0.36
4-2148035-0	40.400	39.600	0.76	0.36
4-2148035-1	41.410	40.590	0.76	0.36
4-2148035-2	42.420	41.580	0.76	0.36
4-2148035-3	43.430	42.570	0.76	0.36
4-2148035-4	44.440	43.560	0.77	0.37
4-2148035-5	45.450	44.550	0.77	0.37
4-2148035-6	46.460	45.540	0.77	0.37
4-2148035-7	47.470	46.530	0.77	0.37
4-2148035-8	48.480	47.520	0.77	0.37
4-2148035-9	49.490	48.510	0.77	0.37
5-2148035-0	50.500	49.500	0.78	0.38
5-2148035-5	55.550	54.450	0.78	0.38
6-2148035-0	60.600	59.400	0.79	0.39
6-2148035-5	65.650	64.350	0.80	0.40
7-2148035-0	70.700	69.300	0.81	0.41
7-2148035-5	75.750	74.250	0.81	0.41
8-2148035-0	80.800	79.200	0.82	0.42
8-2148035-5	86.000	84.000	0.83	0.43
9-2148035-0	91.350	88.650	0.84	0.44
9-2148035-5	96.425	94.575	0.84	0.44
9-2148035-9	101.500	98.500	0.85	0.45

$\triangle 1$ MAXIMUM INSERTION LOSS AT 1300nm: SEE TABLE

$\triangle 2$ WHITE MARK ON CONNECTOR HOUSING INDICATES FIBER 1 SIDE.

3. PRODUCT AND PROCESSING MUST MEET REQUIREMENTS OF TEC-138-702.

THIS DRAWING IS A CONTROLLED DOCUMENT.		DWN	30DEC2010	STE TE Connectivity
		CHK	30DEC2010	
		APVD	30DEC2010	
		PRODUCT SPEC		
DIMENSIONS: METERS		TOLERANCES UNLESS OTHERWISE SPECIFIED:		NAME
		0 PLC	± -	CABLE ASSEMBLY, FIBER OPTIC, QSFP BREAKOUT OFNP 8 FIBER 3mm ROUND CABLE, 50/125 MPO NO/PINS TO 4 LC DUPLEX
		1 PLC	± -	
		2 PLC	± -	
		3 PLC	± -	
		4 PLC	± -	SIZE
		ANGLES	± -	CAGE CODE
MATERIAL		FINISH		DRAWING NO
				RESTRICTED TO
		WEIGHT	-	A2 00779
		CUSTOMER DRAWING		C=2148035
		SCALE	NTS	SHEET 2 OF 2
		REV	B	