



Chipsmall Limited consists of a professional team with an average of over 10 year of expertise in the distribution of electronic components. Based in Hongkong, we have already established firm and mutual-benefit business relationships with customers from,Europe,America and south Asia,supplying obsolete and hard-to-find components to meet their specific needs.

With the principle of “Quality Parts,Customers Priority,Honest Operation,and Considerate Service”,our business mainly focus on the distribution of electronic components. Line cards we deal with include Microchip,ALPS,ROHM,Xilinx,Pulse,ON,Everlight and Freescale. Main products comprise IC,Modules,Potentiometer,IC Socket,Relay,Connector.Our parts cover such applications as commercial,industrial, and automotives areas.

We are looking forward to setting up business relationship with you and hope to provide you with the best service and solution. Let us make a better world for our industry!



Contact us

Tel: +86-755-8981 8866 Fax: +86-755-8427 6832

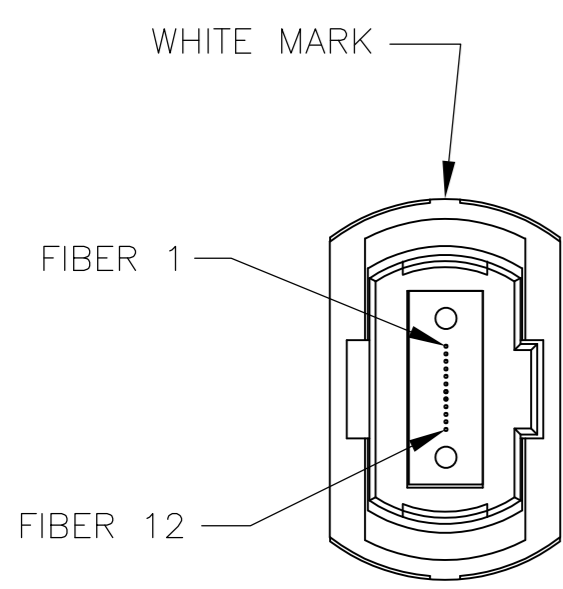
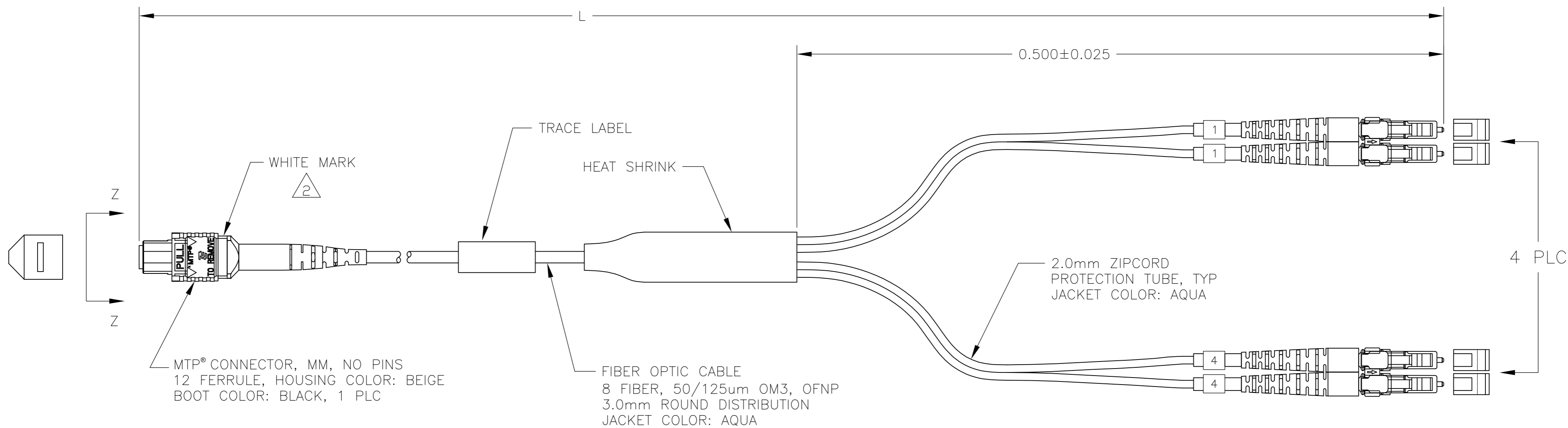
Email & Skype: info@chipsmall.com Web: www.chipsmall.com

Address: A1208, Overseas Decoration Building, #122 Zhenhua RD., Futian, Shenzhen, China



THIS DRAWING IS UNPUBLISHED. RELEASED FOR PUBLICATION
 © COPYRIGHT - By - ALL RIGHTS RESERVED.

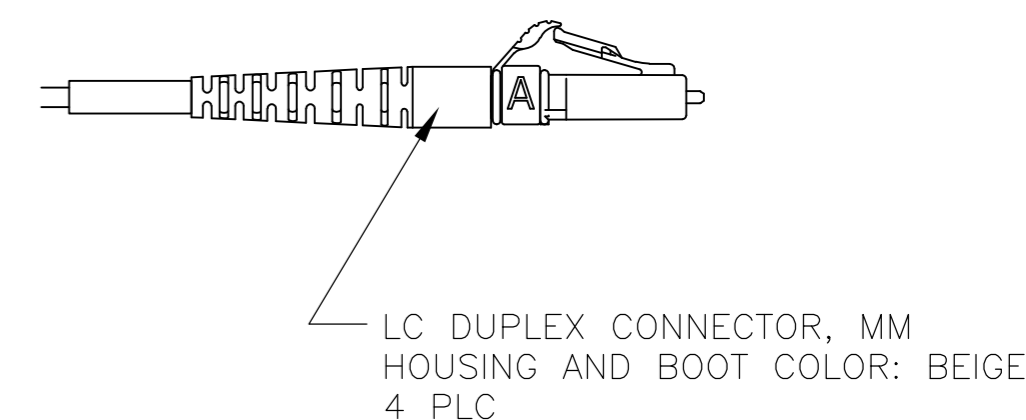
LOC	DIST	REVISIONS			
P	LTR	DESCRIPTION	DATE	DWN	APVD
CE	00	D	ECR-14-011637	15AUG2014	HZ RZ



VIEW Z-Z
NOT TO SCALE

MTP® FIBER NO	LC CONNECTOR
1	1B
2	2B
3	3B
4	4B
5	NOT USED
6	NOT USED
7	NOT USED
8	NOT USED
9	4A
10	3A
11	2A
12	1A



MTP® CONNECTOR FIBER PATH

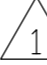


THIS DRAWING IS A CONTROLLED DOCUMENT.		DWN DAVIS WANG 30DEC2010	TE TE Connectivity
DIMENSIONS: METERS		CHK JAMES ZHOU 30DEC2010	
TOLERANCES UNLESS OTHERWISE SPECIFIED:		APVD RICHARD ZHAO 30DEC2010	NAME
0 PLC ± -		PRODUCT SPEC	CABLE ASSEMBLY, FIBER OPTIC, QSFP BREAKOUT
1 PLC ± -		APPLICATION SPEC	OM3, OFNP 8 FIBER 3mm ROUND CABLE
2 PLC ± -		WEIGHT	MTP®NO/PINS TO 4 LC DUPLEX
3 PLC ± -		CUSTOMER DRAWING	SIZE A2
4 PLC ± -		SCALE NTS	CAGE CODE 00779
ANGLES ± -		SHEET 1 OF 2	DRAWING NO C=2148036
FINISH		REV D	RESTRICTED TO

THIS DRAWING IS UNPUBLISHED. RELEASED FOR PUBLICATION
 © COPYRIGHT - By - ALL RIGHTS RESERVED.

LOC	DIST	REVISIONS					
CE	00	P	LTR	DESCRIPTION	DATE	DWN	APVD
		-	-	SEE SHEET 1	-	-	-


PART NUMBER	L		MTP® MAX IL (dB) 	LC MAX IL (dB) 
	MAX	MIN		
2148036-1	1.050	0.950	0.70	0.30
2148036-2	2.050	1.950	0.71	0.31
2148036-3	3.050	2.950	0.71	0.31
2148036-4	4.080	3.920	0.71	0.31
2148036-5	5.080	4.920	0.72	0.32
2148036-6	6.080	5.920	0.72	0.32
2148036-7	7.080	6.920	0.72	0.32
2148036-8	8.080	7.920	0.73	0.33
2148036-9	9.150	8.850	0.73	0.33
1-2148036-0	10.150	9.850	0.74	0.34
1-2148036-1	11.150	10.850	0.74	0.34
1-2148036-2	12.150	11.850	0.74	0.34
1-2148036-3	13.150	12.850	0.75	0.35
1-2148036-4	14.150	13.850	0.75	0.35
1-2148036-5	15.150	14.850	0.75	0.35
1-2148036-6	16.160	15.840	0.76	0.36
1-2148036-7	17.170	16.830	0.76	0.36
1-2148036-8	18.180	17.820	0.76	0.36
1-2148036-9	19.190	18.810	0.77	0.37
2-2148036-0	20.200	19.800	0.77	0.37
2-2148036-1	21.210	20.790	0.77	0.37
2-2148036-2	22.220	21.780	0.78	0.38
2-2148036-3	23.230	22.770	0.78	0.38
2-2148036-4	24.240	23.760	0.78	0.38
2-2148036-5	25.250	24.750	0.79	0.39
2-2148036-6	26.260	25.740	0.79	0.39
2-2148036-7	27.270	26.730	0.79	0.39
2-2148036-8	28.280	27.720	0.80	0.40
2-2148036-9	29.290	28.710	0.80	0.40
3-2148036-0	30.300	29.700	0.81	0.41
3-2148036-1	31.310	30.690	0.81	0.41
3-2148036-2	32.320	31.680	0.81	0.41
3-2148036-3	33.330	32.670	0.82	0.42
3-2148036-4	34.340	33.660	0.82	0.42
3-2148036-5	35.350	34.650	0.82	0.42
3-2148036-6	36.360	35.640	0.83	0.43
3-2148036-7	37.370	36.630	0.83	0.43
3-2148036-8	38.380	37.620	0.83	0.43
3-2148036-9	39.390	38.610	0.84	0.44
4-2148036-0	40.400	39.600	0.84	0.44
4-2148036-1	41.410	40.590	0.84	0.44
4-2148036-2	42.420	41.580	0.85	0.45
4-2148036-3	43.430	42.570	0.85	0.45
4-2148036-4	44.440	43.560	0.85	0.45
4-2148036-5	45.450	44.550	0.86	0.46
4-2148036-6	46.460	45.540	0.86	0.46
4-2148036-7	47.470	46.530	0.86	0.46
4-2148036-8	48.480	47.520	0.87	0.47
4-2148036-9	49.490	48.510	0.87	0.47
5-2148036-0	50.500	49.500	0.88	0.48
5-2148036-5	55.550	54.450	0.89	0.49
6-2148036-0	60.600	59.400	0.91	0.51
6-2148036-5	65.650	64.350	0.93	0.53
7-2148036-0	70.700	69.300	0.95	0.55
7-2148036-5	75.750	74.250	0.96	0.56
8-2148036-0	80.800	79.200	0.98	0.58
8-2148036-5	86.000	84.000	1.00	0.60
9-2148036-0	91.350	88.650	1.02	0.62
9-2148036-5	96.425	94.575	1.03	0.63
9-2148036-9	101.500	98.500	1.05	0.65
9-2148036-8	201.500	198.500	1.40	1.00

 MAXIMUM INSERTION LOSS AT 850nm: SEE TABLE

 WHITE MARK ON CONNECTOR HOUSING INDICATES FIBER 1 SIDE.

3. PRODUCT AND PROCESSING MUST MEET REQUIREMENTS OF TEC-138-702.

A

THIS DRAWING IS A CONTROLLED DOCUMENT.		DWN DAVIS WANG 30DEC2010	 TE Connectivity	
DIMENSIONS: METERS		CHK JAMES ZHOU 30DEC2010		
TOLERANCES UNLESS OTHERWISE SPECIFIED:		APVD RICHARD ZHAO 30DEC2010	NAME CABLE ASSEMBLY, FIBER OPTIC, QSFP BREAKOUT	
0 PLC ± -		PRODUCT SPEC	OM3, OFNP 8 FIBER 3mm ROUND CABLE	
1 PLC ± -		APPLICATION SPEC	MTP® NO/PINS TO 4 LC DUPLEX	
2 PLC ± -		SIZE	CAGE CODE	DRAWING NO
3 PLC ± -		A2	00779	C=2148036
4 PLC ± -		WEIGHT	RESTRICTED TO	
ANGLES ± -		-	-	
FINISH		CUSTOMER DRAWING		
-		SCALE	SHEET	REV
		NTS	2 of 2	D

2148036

B

A