



Chipsmall Limited consists of a professional team with an average of over 10 year of expertise in the distribution of electronic components. Based in Hongkong, we have already established firm and mutual-benefit business relationships with customers from,Europe,America and south Asia,supplying obsolete and hard-to-find components to meet their specific needs.

With the principle of “Quality Parts,Customers Priority,Honest Operation,and Considerate Service”,our business mainly focus on the distribution of electronic components. Line cards we deal with include Microchip,ALPS,ROHM,Xilinx,Pulse,ON,Everlight and Freescale. Main products comprise IC,Modules,Potentiometer,IC Socket,Relay,Connector.Our parts cover such applications as commercial,industrial, and automotives areas.

We are looking forward to setting up business relationship with you and hope to provide you with the best service and solution. Let us make a better world for our industry!



## Contact us

Tel: +86-755-8981 8866 Fax: +86-755-8427 6832

Email & Skype: info@chipsmall.com Web: www.chipsmall.com

Address: A1208, Overseas Decoration Building, #122 Zhenhua RD., Futian, Shenzhen, China

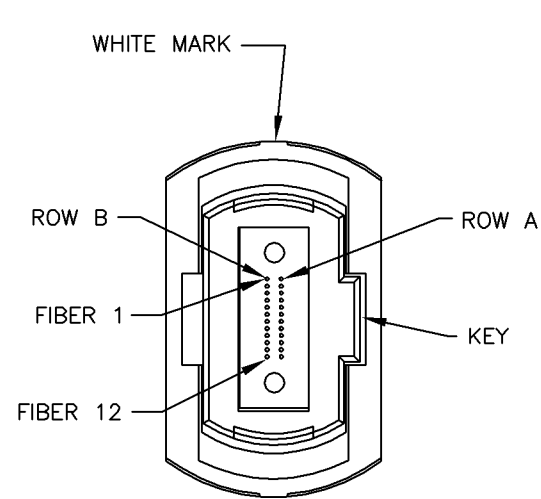
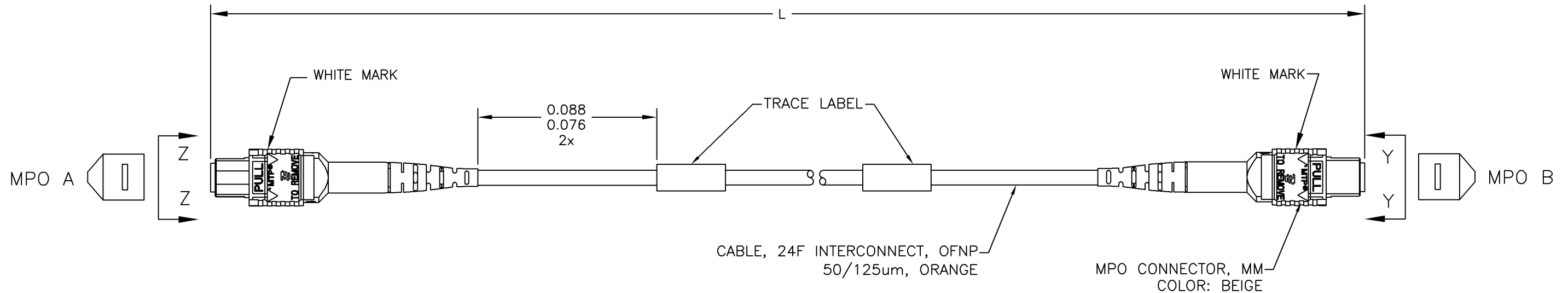


THIS DRAWING IS UNPUBLISHED. RELEASED FOR PUBLICATION  
 © COPYRIGHT - By - ALL RIGHTS RESERVED.

LDC		DIST		REVISIONS			
P	LTR	DESCRIPTION	DATE	DWN	APVD		
A2		ECR-11-017572	24AUG2011	SBY	RZ		

1. MAXIMUM CONNECTOR INSERTION LOSS AT 850nm.

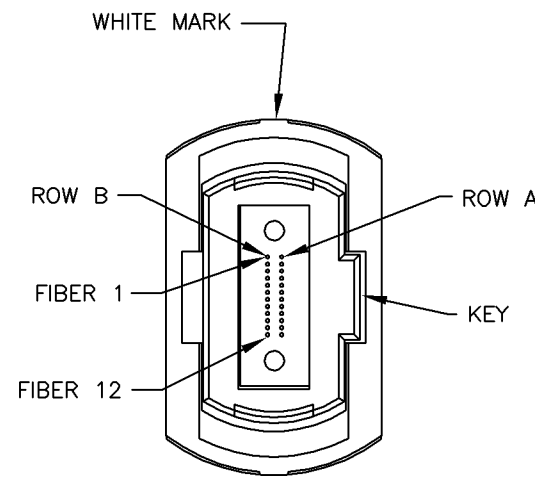
2. PRODUCT AND PROCESSING MUST MEET REQUIREMENTS OF TEC-138-702.



VIEW Z-Z  
NOT TO SCALE

MPO A ROW	FIBER	FIBER COLOR	MPO B ROW	FIBER
A	1	BLUE	B	1
A	2	ORANGE	B	2
A	3	GREEN	B	3
A	4	BROWN	B	4
A	5	SLATE	B	5
A	6	WHITE	B	6
A	7	RED	B	7
A	8	BLACK	B	8
A	9	YELLOW	B	9
A	10	VIOLET	B	10
A	11	ROSE	B	11
A	12	AQUA	B	12
B	1	BLUE	A	1
B	2	ORANGE	A	2
B	3	GREEN	A	3
B	4	BROWN	A	4
B	5	SLATE	A	5
B	6	WHITE	A	6
B	7	RED	A	7
B	8	BLACK	A	8
B	9	YELLOW	A	9
B	10	VIOLET	A	10
B	11	ROSE	A	11
B	12	AQUA	A	12

CONNECTOR FIBER PATH



VIEW Y-Y  
NOT TO SCALE

THIS DRAWING IS A CONTROLLED DOCUMENT.		DWN	05JAN2011		
		DAVIS WANG			
		CHK	05JAN2011	NAME <b>RICHARD ZHAO</b>	
		JAMES ZHOU			
		APVD	05JAN2011	PRODUCT SPEC CABLE ASSEMBLY, FIBER OPTIC, CXP, 50/125um 24 FIBER, INTERCONNECT CABLE MPO, NO PINS, BOTH ENDS	
		RICHARD ZHAO			
DIMENSIONS: METERS 		TOLERANCES UNLESS OTHERWISE SPECIFIED: 0 PLC ± - 1 PLC ± - 2 PLC ± - 3 PLC ± - 4 PLC ± - ANGLES ± - FINISH -		APPLICATION SPEC SIZE CAGE CODE DRAWING NO RESTRICTED TO	
MATERIAL		WEIGHT		A2 00779 ©=2148039	
		CUSTOMER DRAWING		SCALE NTS SHEET 1 of 2 REV A2	

THIS DRAWING IS UNPUBLISHED. RELEASED FOR PUBLICATION  
 © COPYRIGHT - By - ALL RIGHTS RESERVED.

LDC	DIST	REVISIONS					
HG	-	P	LTR	DESCRIPTION	DATE	DWN	APVD
		-	-	SEE SHEET 1	-	-	-

PART NUMBER	L		MPO MAX IL (dB) $\Delta$ <sub>1</sub>
	MAX	MIN	
2148039-1	1.050	0.950	0.70
2148039-2	2.050	1.950	0.71
2148039-3	3.050	2.950	0.71
2148039-4	4.080	3.920	0.71
2148039-5	5.080	4.920	0.72
2148039-6	6.080	5.920	0.72
2148039-7	7.080	6.920	0.72
2148039-8	8.080	7.920	0.73
2148039-9	9.150	8.850	0.73
1-2148039-0	10.150	9.850	0.74
1-2148039-1	11.150	10.850	0.74
1-2148039-2	12.150	11.850	0.74
1-2148039-3	13.150	12.850	0.75
1-2148039-4	14.150	13.850	0.75
1-2148039-5	15.150	14.850	0.75
1-2148039-6	16.160	15.840	0.76
1-2148039-7	17.170	16.830	0.76
1-2148039-8	18.180	17.820	0.76
1-2148039-9	19.190	18.810	0.77
2-2148039-0	20.200	19.800	0.77
2-2148039-1	21.210	20.790	0.77
2-2148039-2	22.220	21.780	0.78
2-2148039-3	23.230	22.770	0.78
2-2148039-4	24.240	23.760	0.78
2-2148039-5	25.250	24.750	0.79
2-2148039-6	26.260	25.740	0.79
2-2148039-7	27.270	26.730	0.79
2-2148039-8	28.280	27.720	0.80
2-2148039-9	29.290	28.710	0.80
3-2148039-0	30.300	29.700	0.81
3-2148039-1	31.310	30.690	0.81
3-2148039-2	32.320	31.680	0.81
3-2148039-3	33.330	32.670	0.82
3-2148039-4	34.340	33.660	0.82
3-2148039-5	35.350	34.650	0.82
3-2148039-6	36.360	35.640	0.83
3-2148039-7	37.370	36.630	0.83
3-2148039-8	38.380	37.620	0.83
3-2148039-9	39.390	38.610	0.84
4-2148039-0	40.400	39.600	0.84
4-2148039-1	41.410	40.590	0.84
4-2148039-2	42.420	41.580	0.85
4-2148039-3	43.430	42.570	0.85
4-2148039-4	44.440	43.560	0.85
4-2148039-5	45.450	44.550	0.86
4-2148039-6	46.460	45.540	0.86
4-2148039-7	47.470	46.530	0.86
4-2148039-8	48.480	47.520	0.87
4-2148039-9	49.490	48.510	0.87
5-2148039-0	50.500	49.500	0.88
5-2148039-5	55.550	54.450	0.89
6-2148039-0	60.600	59.400	0.91
6-2148039-5	65.650	64.350	0.93
7-2148039-0	70.700	69.300	0.95
7-2148039-5	75.750	74.250	0.96
8-2148039-0	80.800	79.200	0.98
8-2148039-5	86.000	84.000	1.00
9-2148039-0	91.350	88.650	1.02
9-2148039-5	96.425	95.575	1.03
9-2148039-9	101.500	98.500	1.05



D

C

B

A

2148039

THIS DRAWING IS A CONTROLLED DOCUMENT.		DWN DAVIS WANG 05JAN2011	 TE Connectivity	
DIMENSIONS: METERS		CHK JAMES ZHOU 05JAN2011		
TOLERANCES UNLESS OTHERWISE SPECIFIED:		APVD RICHARD ZHAO 05JAN2011	NAME CABLE ASSEMBLY, FIBER OPTIC, CXP, 50/125um 24 FIBER, INTERCONNECT CABLE MPO, NO PINS, BOTH ENDS	
		PRODUCT SPEC -	RESTRICTED TO	
MATERIAL		APPLICATION SPEC -	SIZE A2	CAGE CODE 00779
FINISH		WEIGHT -	DRAWING NO C=2148039	REV A2
		CUSTOMER DRAWING	SCALE NTS	SHEET 2 of 2