



Chipsmall Limited consists of a professional team with an average of over 10 year of expertise in the distribution of electronic components. Based in Hongkong, we have already established firm and mutual-benefit business relationships with customers from,Europe,America and south Asia,supplying obsolete and hard-to-find components to meet their specific needs.

With the principle of “Quality Parts,Customers Priority,Honest Operation,and Considerate Service”,our business mainly focus on the distribution of electronic components. Line cards we deal with include Microchip,ALPS,ROHM,Xilinx,Pulse,ON,Everlight and Freescale. Main products comprise IC,Modules,Potentiometer,IC Socket,Relay,Connector.Our parts cover such applications as commercial,industrial, and automotives areas.

We are looking forward to setting up business relationship with you and hope to provide you with the best service and solution. Let us make a better world for our industry!



Contact us

Tel: +86-755-8981 8866 Fax: +86-755-8427 6832

Email & Skype: info@chipsmall.com Web: www.chipsmall.com

Address: A1208, Overseas Decoration Building, #122 Zhenhua RD., Futian, Shenzhen, China



4

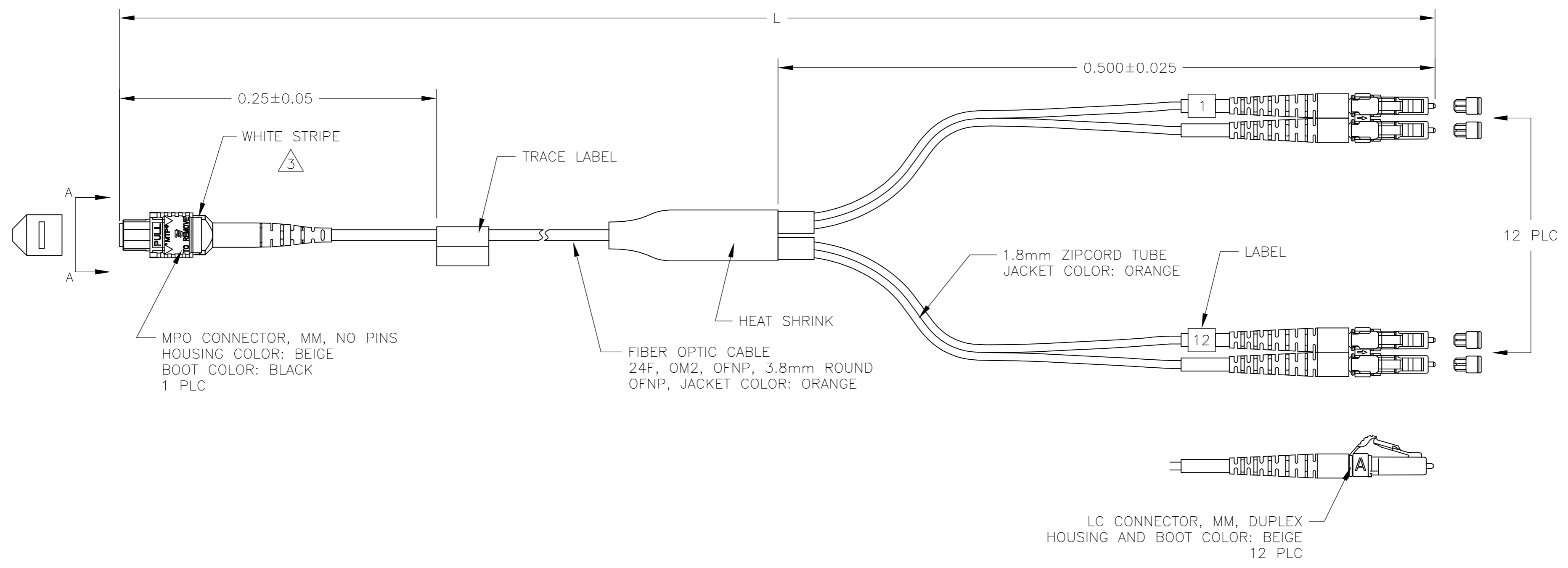
3

2

1

THIS DRAWING IS UNPUBLISHED. RELEASED FOR PUBLICATION
 © COPYRIGHT - By - ALL RIGHTS RESERVED.

| LOC | DIST | REVISIONS | | | |
|-----|------|---------------|-----------|-----|------|
| P | LTR | DESCRIPTION | DATE | DWN | APVD |
| HG | 17 | ECR-13-018961 | 09DEC2013 | HZ | RZ |



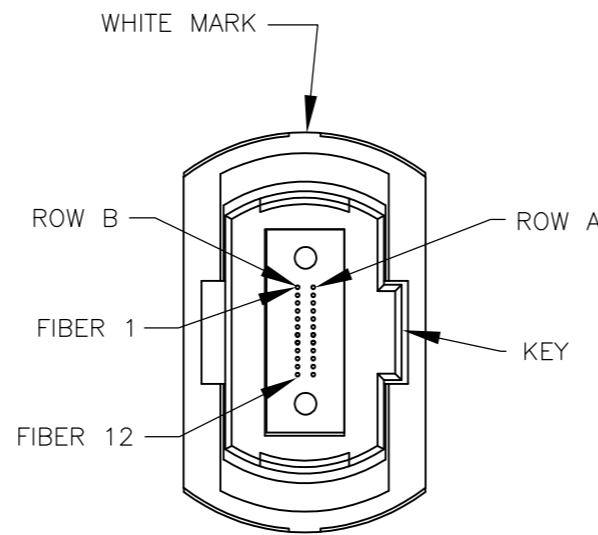
2148040

| | | | | |
|----------------------------------------|--|------------------------------------|------------------------------------------------------------------------------------------------------------------------|--------------------|
| THIS DRAWING IS A CONTROLLED DOCUMENT. | | DWN ZHANG JINQIANG 29AUG2011 | STE TE Connectivity | |
| | | CHK PHILIP LIU 29AUG2011 | | |
| DIMENSIONS: METERS | | APVD RICHARD ZHAO 29AUG2011 | NAME CABLE ASSEMBLY, FIBER OPTIC, OM2 CXP BREAKOUT, OFNP, 24F, 3.8mm ROUND CABLE MPO, NO PINS TO 12 LC DUPLEX | |
| TOLERANCES UNLESS OTHERWISE SPECIFIED: | | PRODUCT SPEC | RESTRICTED TO | |
| 0 PLC ± - | | APPLICATION SPEC | SIZE A2 | CAGE CODE 00779 |
| 1 PLC ± - | | | DRAWING NO 2148040 | |
| 2 PLC ± - | | | SCALE NTS | |
| 3 PLC ± - | | | SHEET 1 of 2 | |
| 4 PLC ± - | | | REV C | |
| ANGLES ± - | | WEIGHT | | |
| FINISH | | CUSTOMER DRAWING | | |

THIS DRAWING IS UNPUBLISHED. RELEASED FOR PUBLICATION
 © COPYRIGHT - By - ALL RIGHTS RESERVED.

| LOC | DIST | REVISIONS | | | | | |
|-----|------|-----------|-----|-------------|------|-----|------|
| | | P | LTR | DESCRIPTION | DATE | DWN | APVD |
| HG | 17 | - | - | SEE SHEET 1 | - | - | - |

| PART NUMBER | L | | MPO MAX IL (dB) Δ ₁ | LC MAX IL (dB) Δ ₁ |
|-------------|---------|--------|---------------------------------------|--------------------------------------|
| | MAX | MIN | | |
| 2148040-1 | 1.050 | 0.950 | 1.00 | 0.30 |
| 2148040-2 | 2.050 | 1.950 | 1.00 | 0.30 |
| 2148040-3 | 3.050 | 2.950 | 1.00 | 0.30 |
| 2148040-4 | 4.080 | 3.920 | 1.01 | 0.31 |
| 2148040-5 | 5.080 | 4.920 | 1.01 | 0.31 |
| 2148040-6 | 6.080 | 5.920 | 1.01 | 0.31 |
| 2148040-7 | 7.080 | 6.920 | 1.01 | 0.31 |
| 2148040-8 | 8.080 | 7.920 | 1.01 | 0.31 |
| 2148040-9 | 9.150 | 8.850 | 1.01 | 0.31 |
| 1-2148040-0 | 10.150 | 9.850 | 1.02 | 0.32 |
| 1-2148040-1 | 11.150 | 10.850 | 1.02 | 0.32 |
| 1-2148040-2 | 12.150 | 11.850 | 1.02 | 0.32 |
| 1-2148040-3 | 13.150 | 12.850 | 1.02 | 0.32 |
| 1-2148040-4 | 14.150 | 13.850 | 1.02 | 0.32 |
| 1-2148040-5 | 15.150 | 14.850 | 1.02 | 0.32 |
| 1-2148040-6 | 16.160 | 15.840 | 1.02 | 0.32 |
| 1-2148040-7 | 17.170 | 16.830 | 1.03 | 0.33 |
| 1-2148040-8 | 18.180 | 17.820 | 1.03 | 0.33 |
| 1-2148040-9 | 19.190 | 18.810 | 1.03 | 0.33 |
| 2-2148040-0 | 20.200 | 19.800 | 1.03 | 0.33 |
| 2-2148040-1 | 21.210 | 20.790 | 1.03 | 0.33 |
| 2-2148040-2 | 22.220 | 21.780 | 1.03 | 0.33 |
| 2-2148040-3 | 23.230 | 22.770 | 1.03 | 0.33 |
| 2-2148040-4 | 24.240 | 23.760 | 1.04 | 0.34 |
| 2-2148040-5 | 25.250 | 24.750 | 1.04 | 0.34 |
| 2-2148040-6 | 26.260 | 25.740 | 1.04 | 0.34 |
| 2-2148040-7 | 27.270 | 26.730 | 1.04 | 0.34 |
| 2-2148040-8 | 28.280 | 27.720 | 1.04 | 0.34 |
| 2-2148040-9 | 29.290 | 28.710 | 1.04 | 0.34 |
| 3-2148040-0 | 30.300 | 29.700 | 1.05 | 0.35 |
| 3-2148040-1 | 31.310 | 30.690 | 1.05 | 0.35 |
| 3-2148040-2 | 32.320 | 31.680 | 1.05 | 0.35 |
| 3-2148040-3 | 33.330 | 32.670 | 1.05 | 0.35 |
| 3-2148040-4 | 34.340 | 33.660 | 1.05 | 0.35 |
| 3-2148040-5 | 35.350 | 34.650 | 1.05 | 0.35 |
| 3-2148040-6 | 36.360 | 35.640 | 1.05 | 0.35 |
| 3-2148040-7 | 37.370 | 36.630 | 1.06 | 0.36 |
| 3-2148040-8 | 38.380 | 37.620 | 1.06 | 0.36 |
| 3-2148040-9 | 39.390 | 38.610 | 1.06 | 0.36 |
| 4-2148040-0 | 40.400 | 39.600 | 1.06 | 0.36 |
| 4-2148040-1 | 41.410 | 40.590 | 1.06 | 0.36 |
| 4-2148040-2 | 42.420 | 41.580 | 1.06 | 0.36 |
| 4-2148040-3 | 43.430 | 42.570 | 1.06 | 0.36 |
| 4-2148040-4 | 44.440 | 43.560 | 1.07 | 0.37 |
| 4-2148040-5 | 45.450 | 44.550 | 1.07 | 0.37 |
| 4-2148040-6 | 46.460 | 45.540 | 1.07 | 0.37 |
| 4-2148040-7 | 47.470 | 46.530 | 1.07 | 0.37 |
| 4-2148040-8 | 48.480 | 47.520 | 1.07 | 0.37 |
| 4-2148040-9 | 49.490 | 48.510 | 1.07 | 0.37 |
| 5-2148040-0 | 50.500 | 49.500 | 1.08 | 0.38 |
| 5-2148040-5 | 55.550 | 54.450 | 1.08 | 0.38 |
| 6-2148040-0 | 60.600 | 59.400 | 1.09 | 0.39 |
| 6-2148040-5 | 65.650 | 64.350 | 1.10 | 0.40 |
| 7-2148040-0 | 70.700 | 69.300 | 1.11 | 0.41 |
| 7-2148040-5 | 75.750 | 74.250 | 1.11 | 0.41 |
| 8-2148040-0 | 80.800 | 79.200 | 1.12 | 0.42 |
| 8-2148040-5 | 86.000 | 84.000 | 1.13 | 0.43 |
| 9-2148040-0 | 91.350 | 88.650 | 1.14 | 0.44 |
| 9-2148040-5 | 96.425 | 94.575 | 1.14 | 0.44 |
| 9-2148040-9 | 101.500 | 98.500 | 1.15 | 0.45 |



VIEW A-A
NOT TO SCALE

| MPO A ROW | FIBER | FIBER COLOR | LC DPX |
|-----------|-------|-------------|--------|
| A | 1 | BLUE | 1B |
| A | 2 | ORANGE | 2B |
| A | 3 | GREEN | 3B |
| A | 4 | BROWN | 4B |
| A | 5 | SLATE | 5B |
| A | 6 | WHITE | 6B |
| A | 7 | RED | 7B |
| A | 8 | BLACK | 8B |
| A | 9 | YELLOW | 9B |
| A | 10 | VIOLET | 10B |
| A | 11 | ROSE | 11B |
| A | 12 | AQUA | 12B |
| B | 1 | BLUE | 1A |
| B | 2 | ORANGE | 2A |
| B | 3 | GREEN | 3A |
| B | 4 | BROWN | 4A |
| B | 5 | SLATE | 5A |
| B | 6 | WHITE | 6A |
| B | 7 | RED | 7A |
| B | 8 | BLACK | 8A |
| B | 9 | YELLOW | 9A |
| B | 10 | VIOLET | 10A |
| B | 11 | ROSE | 11A |
| B | 12 | AQUA | 12A |

MPO CONNECTOR FIBER PATH

- Δ 1 SEE TABLE FOR MPO&LC IL @ 1300nm
2. PLACE A COPY OF TEST DATA INSIDE OR WITH THE UNIT PACKAGE.
- Δ 3 WHITE MARK ON CONNECTOR HOUSING INDICATES FIBER 1 SIDE.
4. PRODUCT AND PROCESSING MUST MEET REQUIREMENTS OF TE CONNECTIVITY STANDARD TEC-138-702.

| | | | | |
|----------------------------------------|--|------------------------------------|------------------------------------------------------------------------------------------------------------------------|--------------------|
| THIS DRAWING IS A CONTROLLED DOCUMENT. | | DWN ZHANG JINQIANG 29AUG2011 | TE Connectivity | |
| DIMENSIONS: METERS | | CHK PHILIP LIU 29AUG2011 | | |
| TOLERANCES UNLESS OTHERWISE SPECIFIED: | | APVD RICHARD ZHAO 29AUG2011 | NAME CABLE ASSEMBLY, FIBER OPTIC, OM2 CXP BREAKOUT, OFNP, 24F, 3.8mm ROUND CABLE MPO, NO PINS TO 12 LC DUPLEX | |
| | | PRODUCT SPEC - | SIZE A2 | CAGE CODE 00779 |
| MATERIAL | | APPLICATION SPEC - | DRAWING NO C=2148040 | RESTRICTED TO - |
| FINISH | | WEIGHT - | SCALE NTS | SHEET 2 OF 2 |
| | | CUSTOMER DRAWING | REV C | |