



Chipsmall Limited consists of a professional team with an average of over 10 year of expertise in the distribution of electronic components. Based in Hongkong, we have already established firm and mutual-benefit business relationships with customers from,Europe,America and south Asia,supplying obsolete and hard-to-find components to meet their specific needs.

With the principle of "Quality Parts,Customers Priority,Honest Operation,and Considerate Service",our business mainly focus on the distribution of electronic components. Line cards we deal with include Microchip,ALPS,ROHM,Xilinx,Pulse,ON,Everlight and Freescale. Main products comprise IC,Modules,Potentiometer,IC Socket,Relay,Connector.Our parts cover such applications as commercial,industrial, and automotives areas.

We are looking forward to setting up business relationship with you and hope to provide you with the best service and solution. Let us make a better world for our industry!



Contact us

Tel: +86-755-8981 8866 Fax: +86-755-8427 6832

Email & Skype: info@chipsmall.com Web: www.chipsmall.com

Address: A1208, Overseas Decoration Building, #122 Zhenhua RD., Futian, Shenzhen, China



4

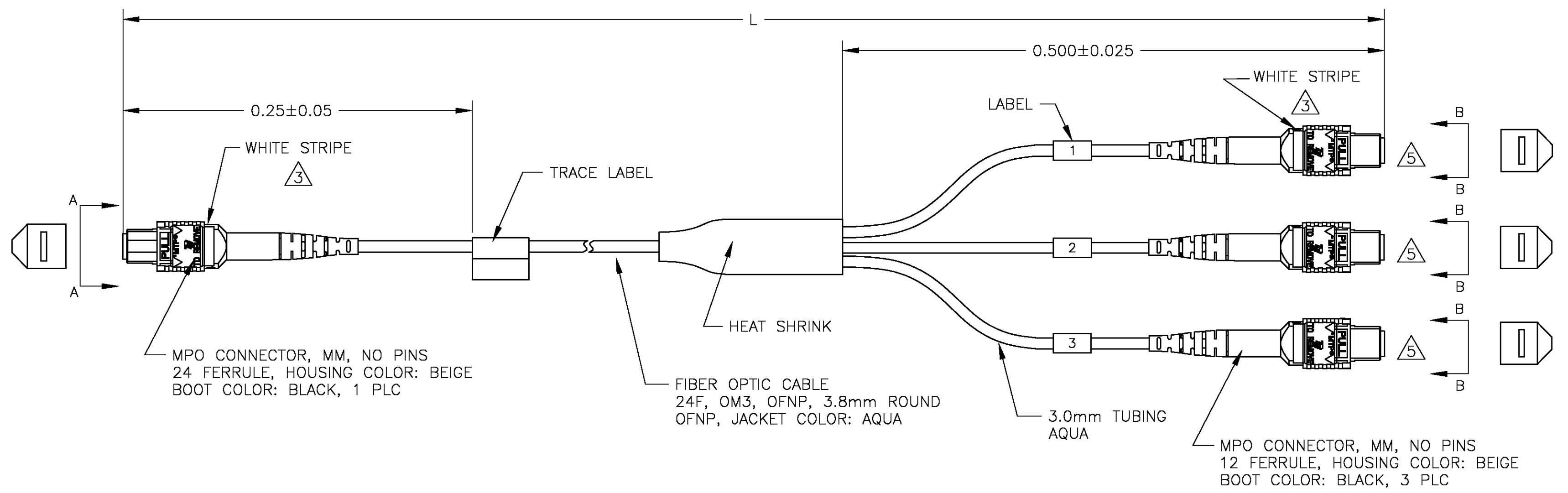
3

2

1

THIS DRAWING IS UNPUBLISHED. RELEASED FOR PUBLICATION
 © COPYRIGHT - By - ALL RIGHTS RESERVED.

LOC	DIST	REVISIONS			
P	LTR	DESCRIPTION	DATE	DWN	APVD
HG	17	B	ECR-11-018695	09SEP2011	ZJQ RZ



MPO CONNECTOR, MM, NO PINS
 24 FERRULE, HOUSING COLOR: BEIGE
 BOOT COLOR: BLACK, 1 PLC

FIBER OPTIC CABLE
 24F, OM3, OFNP, 3.8mm ROUND
 OFNP, JACKET COLOR: AQUA

MPO CONNECTOR, MM, NO PINS
 12 FERRULE, HOUSING COLOR: BEIGE
 BOOT COLOR: BLACK, 3 PLC

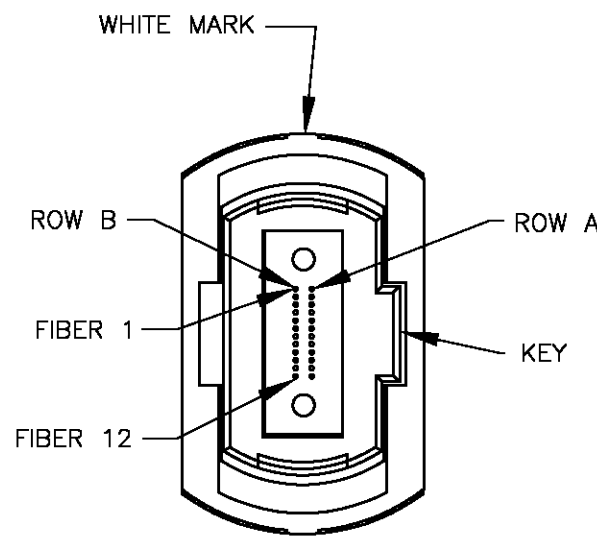
THIS DRAWING IS A CONTROLLED DOCUMENT.		DWN Zhang JINQIANG 30AUG2011		
DIMENSIONS: METERS		CHK PHILIP LIU 30AUG2011		
TOLERANCES UNLESS OTHERWISE SPECIFIED:		APVD RICHARD ZHAO 30AUG2011	NAME CABLE ASSEMBLY, CXP MPO - (3) QSFP MPO 24F OM3 3.8mm ROUND CABLE	
0 PLC ± -		PRODUCT SPEC	APPLICATION SPEC	
1 PLC ± -		WEIGHT	SIZE A2	CAGE CODE 00779
2 PLC ± -		CUSTOMER DRAWING	DRAWING NO 2148043	RESTRICTED TO
3 PLC ± -			SCALE NTS	SHEET 1 OF 2
4 PLC ± -				REV B
ANGLES ± -				
FINISH				

2148043

THIS DRAWING IS UNPUBLISHED. RELEASED FOR PUBLICATION
 © COPYRIGHT - By - ALL RIGHTS RESERVED.

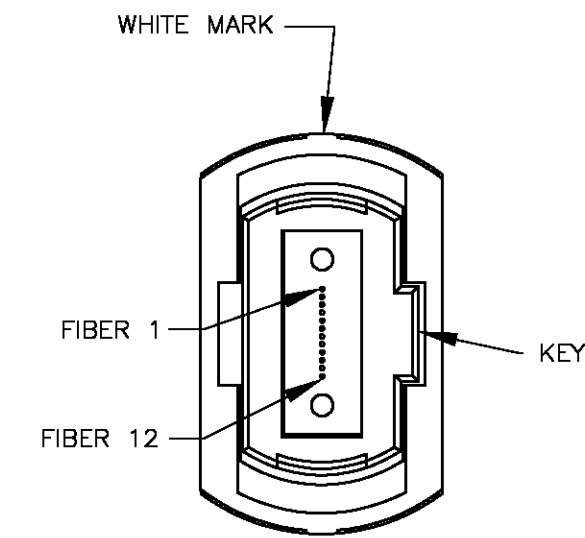
LOC		DIST		REVISIONS			
P	LTR	DESCRIPTION	DATE	DWN	APVD		
HG	17	SEE SHEET 1	-	-	-		

PART NUMBER	L		MPO MAX IL (dB) ¹
	MAX	MIN	
2148043-1	1.050	0.950	1.00
2148043-2	2.050	1.950	1.01
2148043-3	3.050	2.950	1.01
2148043-4	4.080	3.920	1.01
2148043-5	5.080	4.920	1.02
2148043-6	6.080	5.920	1.02
2148043-7	7.080	6.920	1.02
2148043-8	8.080	7.920	1.03
2148043-9	9.150	8.850	1.03
1-2148043-0	10.150	9.850	1.04
1-2148043-1	11.150	10.850	1.04
1-2148043-2	12.150	11.850	1.04
1-2148043-3	13.150	12.850	1.05
1-2148043-4	14.150	13.850	1.05
1-2148043-5	15.150	14.850	1.05
1-2148043-6	16.160	15.840	1.06
1-2148043-7	17.170	16.830	1.06
1-2148043-8	18.180	17.820	1.06
1-2148043-9	19.190	18.810	1.07
2-2148043-0	20.200	19.800	1.07
2-2148043-1	21.210	20.790	1.07
2-2148043-2	22.220	21.780	1.08
2-2148043-3	23.230	22.770	1.08
2-2148043-4	24.240	23.760	1.08
2-2148043-5	25.250	24.750	1.09
2-2148043-6	26.260	25.740	1.09
2-2148043-7	27.270	26.730	1.09
2-2148043-8	28.280	27.720	1.10
2-2148043-9	29.290	28.710	1.10
3-2148043-0	30.300	29.700	1.11
3-2148043-1	31.310	30.690	1.11
3-2148043-2	32.320	31.680	1.11
3-2148043-3	33.330	32.670	1.12
3-2148043-4	34.340	33.660	1.12
3-2148043-5	35.350	34.650	1.12
3-2148043-6	36.360	35.640	1.13
3-2148043-7	37.370	36.630	1.13
3-2148043-8	38.380	37.620	1.13
3-2148043-9	39.390	38.610	1.14
4-2148043-0	40.400	39.600	1.14
4-2148043-1	41.410	40.590	1.14
4-2148043-2	42.420	41.580	1.15
4-2148043-3	43.430	42.570	1.15
4-2148043-4	44.440	43.560	1.15
4-2148043-5	45.450	44.550	1.16
4-2148043-6	46.460	45.540	1.16
4-2148043-7	47.470	46.530	1.16
4-2148043-8	48.480	47.520	1.17
4-2148043-9	49.490	48.510	1.17
5-2148043-0	50.500	49.500	1.18
5-2148043-5	55.550	54.450	1.19
6-2148043-0	60.600	59.400	1.21
6-2148043-5	65.650	64.350	1.23
7-2148043-0	70.700	69.300	1.25
7-2148043-5	75.750	74.250	1.26
8-2148043-0	80.800	79.200	1.28
8-2148043-5	86.000	84.000	1.30
9-2148043-0	91.350	88.650	1.32
9-2148043-5	96.425	94.575	1.33
9-2148043-9	101.500	98.500	1.35



VIEW A-A
NOT TO SCALE

24F ROW	MPO FIBER	FIBER COLOR	12F MPO ⁵	
A	1	BLUE	12	MPO 1
A	2	ORANGE	11	
A	3	GREEN	10	
A	4	BROWN	9	
B	1	BLUE	1	MPO 2
B	2	ORANGE	2	
B	3	GREEN	3	
B	4	BROWN	4	
A	5	SLATE	12	MPO 3
A	6	WHITE	11	
A	7	RED	10	
A	8	BLACK	9	
B	5	SLATE	1	
B	6	WHITE	2	
B	7	RED	3	
B	8	BLACK	4	
A	9	YELLOW	12	
A	10	VIOLET	11	
A	11	ROSE	10	
A	12	AQUA	9	
B	9	YELLOW	1	
B	10	VIOLET	2	
B	11	ROSE	3	
B	12	AQUA	4	



VIEW B-B
NOT TO SCALE

MPO CONNECTOR FIBER PATH

- ¹ SEE TABLE FOR MPO IL @ 850nm
- 2. PLACE A COPY OF TEST DATA INSIDE OR WITH THE UNIT PACKAGE.
- ³ WHITE MARK ON CONNECTOR HOUSING INDICATES FIBER 1 SIDE.
- 4. PRODUCT AND PROCESSING MUST MEET REQUIREMENTS OF TE CONNECTIVITY STANDARD TEC-138-702.
- ⁵ KEEP FIBER #5-#8 NULL IN 12F MPO CONNECTOR.

THIS DRAWING IS A CONTROLLED DOCUMENT.		DWN 30AUG2011 ZHANG JINQIANG																						
DIMENSIONS: METERS		CHK 30AUG2011 PHILIP LIU																						
TOLERANCES UNLESS OTHERWISE SPECIFIED:		APVD 30AUG2011 RICHARD ZHAO	NAME CABLE ASSEMBLY, CXP MPO - (3) QSFP MPO 24F OM3 3.8mm ROUND CABLE																					
<table border="1"> <tr><td>0 PLC</td><td>±</td><td>-</td></tr> <tr><td>1 PLC</td><td>±</td><td>-</td></tr> <tr><td>2 PLC</td><td>±</td><td>-</td></tr> <tr><td>3 PLC</td><td>±</td><td>-</td></tr> <tr><td>4 PLC</td><td>±</td><td>-</td></tr> <tr><td>ANGLES</td><td>±</td><td>-</td></tr> </table>		0 PLC	±	-	1 PLC	±	-	2 PLC	±	-	3 PLC	±	-	4 PLC	±	-	ANGLES	±	-	PRODUCT SPEC	SIZE	CAGE CODE	DRAWING NO	RESTRICTED TO
0 PLC	±	-																						
1 PLC	±	-																						
2 PLC	±	-																						
3 PLC	±	-																						
4 PLC	±	-																						
ANGLES	±	-																						
MATERIAL		FINISH	WEIGHT	A2	00779	C=2148043																		
		CUSTOMER DRAWING		SCALE	SHEET	REV																		
				NTS	2 OF 2	B																		