



Chipsmall Limited consists of a professional team with an average of over 10 year of expertise in the distribution of electronic components. Based in Hongkong, we have already established firm and mutual-benefit business relationships with customers from,Europe,America and south Asia,supplying obsolete and hard-to-find components to meet their specific needs.

With the principle of “Quality Parts,Customers Priority,Honest Operation,and Considerate Service”,our business mainly focus on the distribution of electronic components. Line cards we deal with include Microchip,ALPS,ROHM,Xilinx,Pulse,ON,Everlight and Freescale. Main products comprise IC,Modules,Potentiometer,IC Socket,Relay,Connector.Our parts cover such applications as commercial,industrial, and automotives areas.

We are looking forward to setting up business relationship with you and hope to provide you with the best service and solution. Let us make a better world for our industry!



Contact us

Tel: +86-755-8981 8866 Fax: +86-755-8427 6832

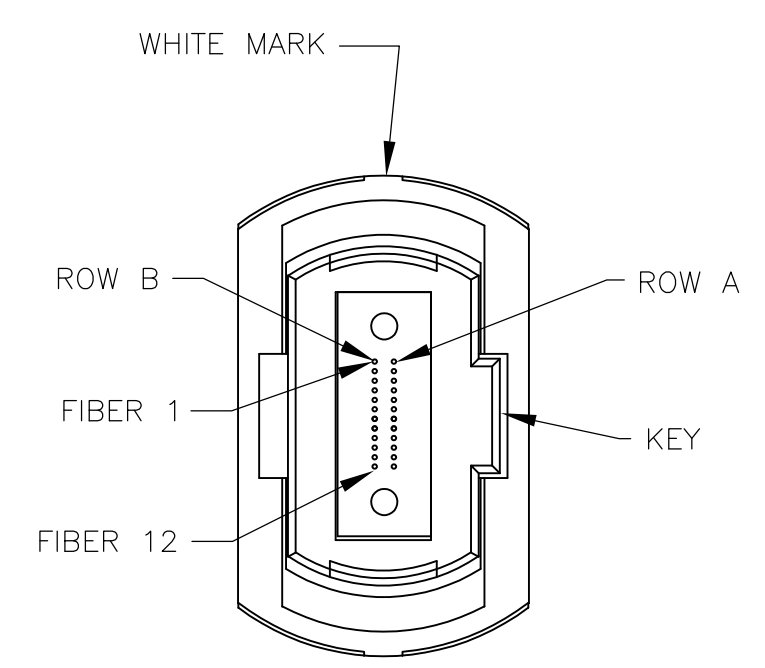
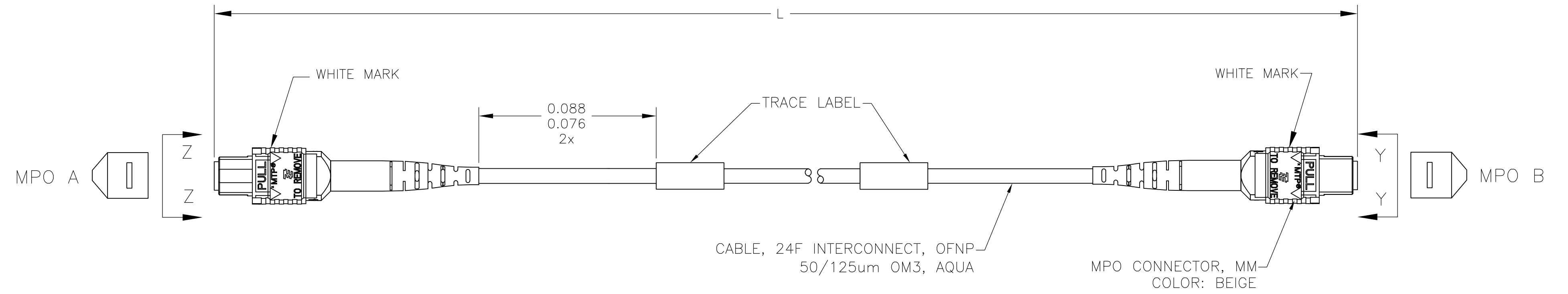
Email & Skype: info@chipsmall.com Web: www.chipsmall.com

Address: A1208, Overseas Decoration Building, #122 Zhenhua RD., Futian, Shenzhen, China



LOC	DIST	REVISIONS			
P	LTR	DESCRIPTION	DATE	DWN	APVD
HG	-				
	A2	ADD DASH 9-8	09JAN2014	HZ	RZ

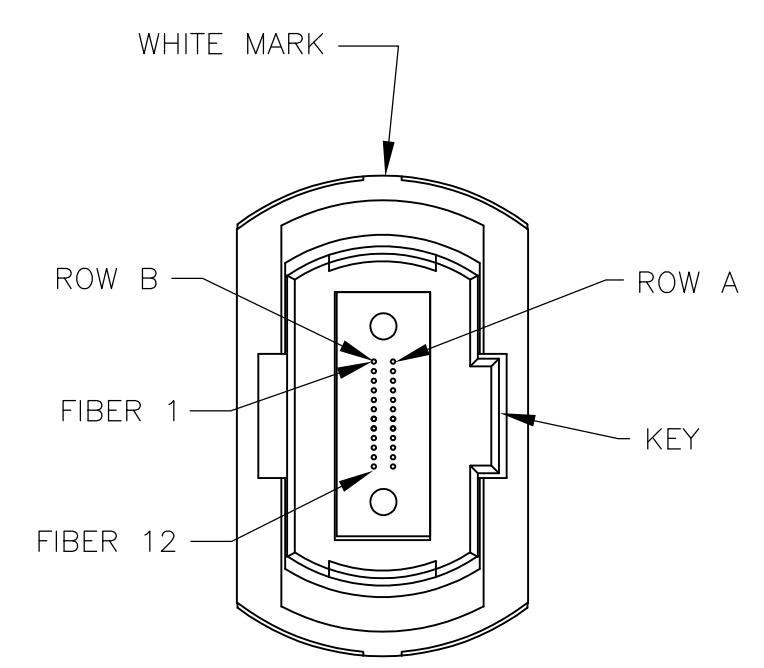
- 1. MAXIMUM CONNECTOR INSERTION LOSS AT 850nm.
- 2. PRODUCT AND PROCESSING MUST MEET REQUIREMENTS OF TEC-138-702.
- 3. CONNECTOR MATERIAL FLAMMABILITY: UL94 V-0 OR BETTER.
- 4. CABLE FLAMMABILITY: UL1651 OFNP OR BETTER.



VIEW Z-Z
NOT TO SCALE

MPO A ROW	FIBER	FIBER COLOR	MPO B ROW	FIBER
A	1	BLUE	B	1
A	2	ORANGE	B	2
A	3	GREEN	B	3
A	4	BROWN	B	4
A	5	SLATE	B	5
A	6	WHITE	B	6
A	7	RED	B	7
A	8	BLACK	B	8
A	9	YELLOW	B	9
A	10	VIOLET	B	10
A	11	ROSE	B	11
A	12	AQUA	B	12
B	1	BLUE	A	1
B	2	ORANGE	A	2
B	3	GREEN	A	3
B	4	BROWN	A	4
B	5	SLATE	A	5
B	6	WHITE	A	6
B	7	RED	A	7
B	8	BLACK	A	8
B	9	YELLOW	A	9
B	10	VIOLET	A	10
B	11	ROSE	A	11
B	12	AQUA	A	12

CONNECTOR FIBER PATH




VIEW Y-Y
NOT TO SCALE

THIS DRAWING IS A CONTROLLED DOCUMENT.		DWN SHI BI YUN 24AUG2011	TE Connectivity	
DIMENSIONS: METERS		CHK ZHANG JINQIANG 24AUG2011	NAME RICHARD ZHAO 24AUG2011	
		TOLERANCES UNLESS OTHERWISE SPECIFIED:		PRODUCT SPEC CABLE ASSEMBLY, FIBER OPTIC, CXP, 50/125um OM3 24 FIBER, INTERCONNECT CABLE MPO, NO PINS, BOTH ENDS
MATERIAL		APVD RICHARD ZHAO 24AUG2011	APPLICATION SPEC	RESTRICTED TO
		WEIGHT	SIZE A2	CAGE CODE 00779
		FINISH	DRAWING NO 2148238	SCALE NTS
		CUSTOMER DRAWING	SHEET 1 of 2	REV A2

THIS DRAWING IS UNPUBLISHED. RELEASED FOR PUBLICATION
 © COPYRIGHT - By - ALL RIGHTS RESERVED.

LOC	DIST	REVISIONS					
CE	00	P	LTR	DESCRIPTION	DATE	DWN	APVD
		-		SEE SHEET 1	-	-	-

PART NUMBER	L		MPO MAX IL (dB) Δ 1
	MAX	MIN	
2148238-1	1.050	0.950	0.70
2148238-2	2.050	1.950	0.71
2148238-3	3.050	2.950	0.71
2148238-4	4.080	3.920	0.71
2148238-5	5.080	4.920	0.72
2148238-6	6.080	5.920	0.72
2148238-7	7.080	6.920	0.72
2148238-8	8.080	7.920	0.73
2148238-9	9.150	8.850	0.73
1-2148238-0	10.150	9.850	0.74
1-2148238-1	11.150	10.850	0.74
1-2148238-2	12.150	11.850	0.74
1-2148238-3	13.150	12.850	0.75
1-2148238-4	14.150	13.850	0.75
1-2148238-5	15.150	14.850	0.75
1-2148238-6	16.160	15.840	0.76
1-2148238-7	17.170	16.830	0.76
1-2148238-8	18.180	17.820	0.76
1-2148238-9	19.190	18.810	0.77
2-2148238-0	20.200	19.800	0.77
2-2148238-1	21.210	20.790	0.77
2-2148238-2	22.220	21.780	0.78
2-2148238-3	23.230	22.770	0.78
2-2148238-4	24.240	23.760	0.78
2-2148238-5	25.250	24.750	0.79
2-2148238-6	26.260	25.740	0.79
2-2148238-7	27.270	26.730	0.79
2-2148238-8	28.280	27.720	0.80
2-2148238-9	29.290	28.710	0.80
3-2148238-0	30.300	29.700	0.81
3-2148238-1	31.310	30.690	0.81
3-2148238-2	32.320	31.680	0.81
3-2148238-3	33.330	32.670	0.82
3-2148238-4	34.340	33.660	0.82
3-2148238-5	35.350	34.650	0.82
3-2148238-6	36.360	35.640	0.83
3-2148238-7	37.370	36.630	0.83
3-2148238-8	38.380	37.620	0.83
3-2148238-9	39.390	38.610	0.84
4-2148238-0	40.400	39.600	0.84
4-2148238-1	41.410	40.590	0.84
4-2148238-2	42.420	41.580	0.85
4-2148238-3	43.430	42.570	0.85
4-2148238-4	44.440	43.560	0.85
4-2148238-5	45.450	44.550	0.86
4-2148238-6	46.460	45.540	0.86
4-2148238-7	47.470	46.530	0.86
4-2148238-8	48.480	47.520	0.87
4-2148238-9	49.490	48.510	0.87
5-2148238-0	50.500	49.500	0.88
5-2148238-5	55.550	54.450	0.89
6-2148238-0	60.600	59.400	0.91
6-2148238-5	65.650	64.350	0.93
7-2148238-0	70.700	69.300	0.95
7-2148238-5	75.750	74.250	0.96
8-2148238-0	80.800	79.200	0.98
8-2148238-5	86.000	84.000	1.00
9-2148238-0	91.350	88.650	1.02
9-2148238-5	96.425	95.575	1.03
9-2148238-9	101.500	98.500	1.05
9-2148238-8	151.500	148.500	1.23

THIS DRAWING IS A CONTROLLED DOCUMENT.		DWN	24AUG2011	 TE Connectivity																	
DIMENSIONS: METERS		CHK	24AUG2011																		
TOLERANCES UNLESS OTHERWISE SPECIFIED:		APVD	24AUG2011																		
<table border="0"> <tr><td>0 PLC</td><td>±</td><td>-</td></tr> <tr><td>1 PLC</td><td>±</td><td>-</td></tr> <tr><td>2 PLC</td><td>±</td><td>-</td></tr> <tr><td>3 PLC</td><td>±</td><td>-</td></tr> <tr><td>4 PLC</td><td>±</td><td>-</td></tr> <tr><td>ANGLES</td><td>±</td><td>-</td></tr> </table>		0 PLC	±			-	1 PLC	±	-	2 PLC	±	-	3 PLC	±	-	4 PLC	±	-	ANGLES	±	-
0 PLC	±	-																			
1 PLC	±	-																			
2 PLC	±	-																			
3 PLC	±	-																			
4 PLC	±	-																			
ANGLES	±	-																			
MATERIAL		PRODUCT SPEC		CABLE ASSEMBLY, FIBER OPTIC, CXP, 50/125um OM3 24 FIBER, INTERCONNECT CABLE MPO, NO PINS, BOTH ENDS																	
FINISH		APPLICATION SPEC		SIZE	A2																
		WEIGHT	-	CAGE CODE	00779																
		CUSTOMER DRAWING		DRAWING NO	C=2148238																
		SCALE	NTS	SHEET	2 OF 2																
		REV	A2	RESTRICTED TO																	