



Chipsmall Limited consists of a professional team with an average of over 10 year of expertise in the distribution of electronic components. Based in Hongkong, we have already established firm and mutual-benefit business relationships with customers from,Europe,America and south Asia,supplying obsolete and hard-to-find components to meet their specific needs.

With the principle of “Quality Parts,Customers Priority,Honest Operation,and Considerate Service”,our business mainly focus on the distribution of electronic components. Line cards we deal with include Microchip,ALPS,ROHM,Xilinx,Pulse,ON,Everlight and Freescale. Main products comprise IC,Modules,Potentiometer,IC Socket,Relay,Connector.Our parts cover such applications as commercial,industrial, and automotives areas.

We are looking forward to setting up business relationship with you and hope to provide you with the best service and solution. Let us make a better world for our industry!



## Contact us

Tel: +86-755-8981 8866 Fax: +86-755-8427 6832

Email & Skype: info@chipsmall.com Web: www.chipsmall.com

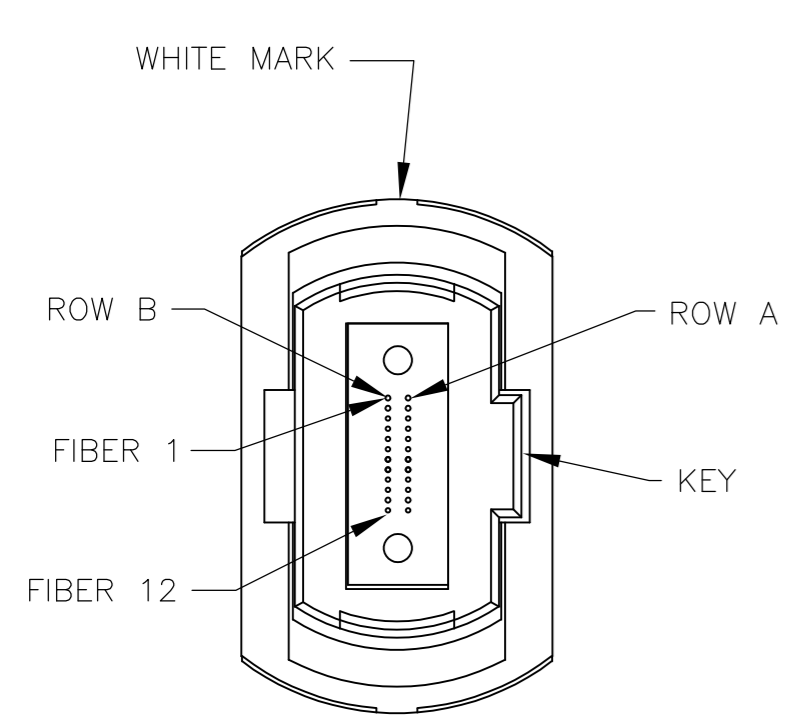
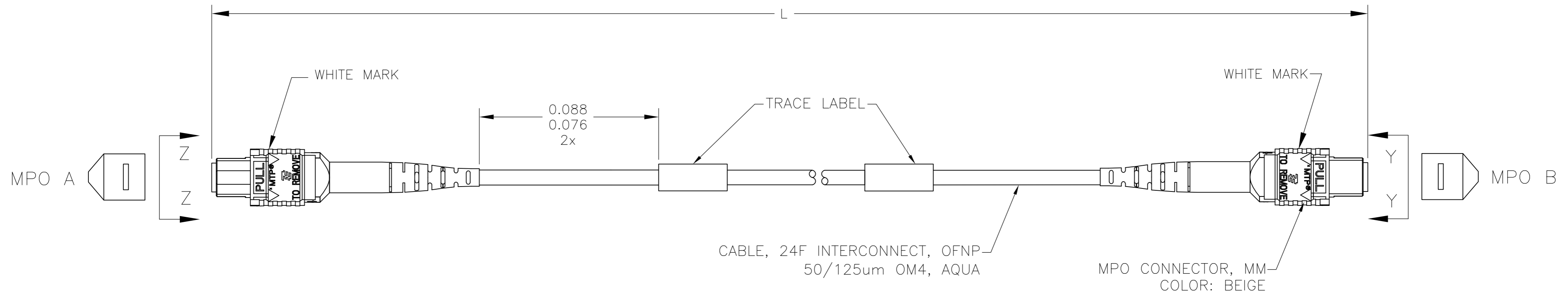
Address: A1208, Overseas Decoration Building, #122 Zhenhua RD., Futian, Shenzhen, China



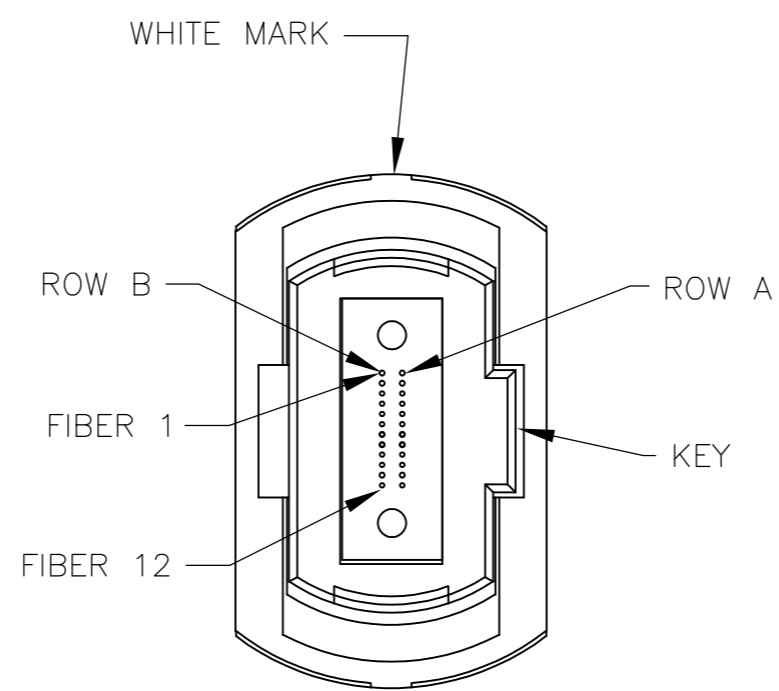
THIS DRAWING IS UNPUBLISHED. RELEASED FOR PUBLICATION  
 © COPYRIGHT - By - ALL RIGHTS RESERVED.

LOC	DIST	REVISIONS					
		P	LTR	DESCRIPTION	DATE	DWN	APVD
HG	-	A3		ADD PN 9-2148441-8	20JUN2011	KZ	RZ

- 1. MAXIMUM CONNECTOR INSERTION LOSS AT 850nm.
- 2. PRODUCT AND PROCESSING MUST MEET REQUIREMENTS OF TEC-138-702.



MPO A ROW	FIBER	FIBER COLOR	MPO B ROW	FIBER
A	1	BLUE	B	1
A	2	ORANGE	B	2
A	3	GREEN	B	3
A	4	BROWN	B	4
A	5	SLATE	B	5
A	6	WHITE	B	6
A	7	RED	B	7
A	8	BLACK	B	8
A	9	YELLOW	B	9
A	10	VIOLET	B	10
A	11	ROSE	B	11
A	12	AQUA	B	12
B	1	BLUE	A	1
B	2	ORANGE	A	2
B	3	GREEN	A	3
B	4	BROWN	A	4
B	5	SLATE	A	5
B	6	WHITE	A	6
B	7	RED	A	7
B	8	BLACK	A	8
B	9	YELLOW	A	9
B	10	VIOLET	A	10
B	11	ROSE	A	11
B	12	AQUA	A	12




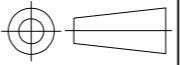
CONNECTOR FIBER PATH

THIS DRAWING IS A CONTROLLED DOCUMENT.		DWN KIM ZHANG 22MAY2011		TE Connectivity		
DIMENSIONS: METERS		CHK PHILIP LIU 22MAY2011		NAME CABLE ASSEMBLY, FIBER OPTIC, CXP, 50/125um OM4 24 FIBER, INTERCONNECT CABLE MPO, NO PINS, BOTH ENDS		
TOLERANCES UNLESS OTHERWISE SPECIFIED:		APVD RICHARD ZHAO 22MAY2011		SIZE A2	CAGE CODE 00779	DRAWING NO C-2148441
MATERIAL		PRODUCT SPEC APPLICATION SPEC		RESTRICTED TO	-	
FINISH		WEIGHT -	SCALE NTS	SHEET 1 of 2	REV A3	

THIS DRAWING IS UNPUBLISHED. RELEASED FOR PUBLICATION  
 © COPYRIGHT - By - ALL RIGHTS RESERVED.

LOC	DIST	REVISIONS					
CE	00	P	LTR	DESCRIPTION	DATE	DWN	APVD
		-		SEE SHEET 1	-	-	-

PART NUMBER	L		MPO MAX IL (dB) $\Delta$ <sub>1</sub>
	MAX	MIN	
2148441-1	1.050	0.950	0.70
2148441-2	2.050	1.950	0.71
2148441-3	3.050	2.950	0.71
2148441-4	4.080	3.920	0.71
2148441-5	5.080	4.920	0.72
2148441-6	6.080	5.920	0.72
2148441-7	7.080	6.920	0.72
2148441-8	8.080	7.920	0.73
2148441-9	9.150	8.850	0.73
1-2148441-0	10.150	9.850	0.74
1-2148441-1	11.150	10.850	0.74
1-2148441-2	12.150	11.850	0.74
1-2148441-3	13.150	12.850	0.75
1-2148441-4	14.150	13.850	0.75
1-2148441-5	15.150	14.850	0.75
1-2148441-6	16.160	15.840	0.76
1-2148441-7	17.170	16.830	0.76
1-2148441-8	18.180	17.820	0.76
1-2148441-9	19.190	18.810	0.77
2-2148441-0	20.200	19.800	0.77
2-2148441-1	21.210	20.790	0.77
2-2148441-2	22.220	21.780	0.78
2-2148441-3	23.230	22.770	0.78
2-2148441-4	24.240	23.760	0.78
2-2148441-5	25.250	24.750	0.79
2-2148441-6	26.260	25.740	0.79
2-2148441-7	27.270	26.730	0.79
2-2148441-8	28.280	27.720	0.80
2-2148441-9	29.290	28.710	0.80
3-2148441-0	30.300	29.700	0.81
3-2148441-1	31.310	30.690	0.81
3-2148441-2	32.320	31.680	0.81
3-2148441-3	33.330	32.670	0.82
3-2148441-4	34.340	33.660	0.82
3-2148441-5	35.350	34.650	0.82
3-2148441-6	36.360	35.640	0.83
3-2148441-7	37.370	36.630	0.83
3-2148441-8	38.380	37.620	0.83
3-2148441-9	39.390	38.610	0.84
4-2148441-0	40.400	39.600	0.84
4-2148441-1	41.410	40.590	0.84
4-2148441-2	42.420	41.580	0.85
4-2148441-3	43.430	42.570	0.85
4-2148441-4	44.440	43.560	0.85
4-2148441-5	45.450	44.550	0.86
4-2148441-6	46.460	45.540	0.86
4-2148441-7	47.470	46.530	0.86
4-2148441-8	48.480	47.520	0.87
4-2148441-9	49.490	48.510	0.87
5-2148441-0	50.500	49.500	0.88
5-2148441-5	55.550	54.450	0.89
6-2148441-0	60.600	59.400	0.91
6-2148441-5	65.650	64.350	0.93
7-2148441-0	70.700	69.300	0.95
7-2148441-5	75.750	74.250	0.96
8-2148441-0	80.800	79.200	0.98
8-2148441-5	86.000	84.000	1.00
9-2148441-0	91.350	88.650	1.02
9-2148441-5	96.425	94.575	1.03
9-2148441-9	101.500	98.500	1.05
9-2148441-8	152.000	148.000	1.23

THIS DRAWING IS A CONTROLLED DOCUMENT.		DWN KIM ZHANG 22MAY2011	 TE Connectivity	
DIMENSIONS: METERS		CHK PHILIP LIU 22MAY2011		
TOLERANCES UNLESS OTHERWISE SPECIFIED:		APVD RICHARD ZHAO 22MAY2011	NAME CABLE ASSEMBLY, FIBER OPTIC, CXP, 50/125um OM4 24 FIBER, INTERCONNECT CABLE MPO, NO PINS, BOTH ENDS	
		PRODUCT SPEC -	SIZE A2	
MATERIAL -		FINISH -	CAGE CODE 00779	DRAWING NO C=2148441
		WEIGHT -	RESTRICTED TO -	
CUSTOMER DRAWING			SCALE NTS	SHEET 2 OF 2
			REV A3	

2148441

B

A