



Chipsmall Limited consists of a professional team with an average of over 10 year of expertise in the distribution of electronic components. Based in Hongkong, we have already established firm and mutual-benefit business relationships with customers from,Europe,America and south Asia,supplying obsolete and hard-to-find components to meet their specific needs.

With the principle of "Quality Parts,Customers Priority,Honest Operation,and Considerate Service",our business mainly focus on the distribution of electronic components. Line cards we deal with include Microchip,ALPS,ROHM,Xilinx,Pulse,ON,Everlight and Freescale. Main products comprise IC,Modules,Potentiometer,IC Socket,Relay,Connector.Our parts cover such applications as commercial,industrial, and automotives areas.

We are looking forward to setting up business relationship with you and hope to provide you with the best service and solution. Let us make a better world for our industry!



Contact us

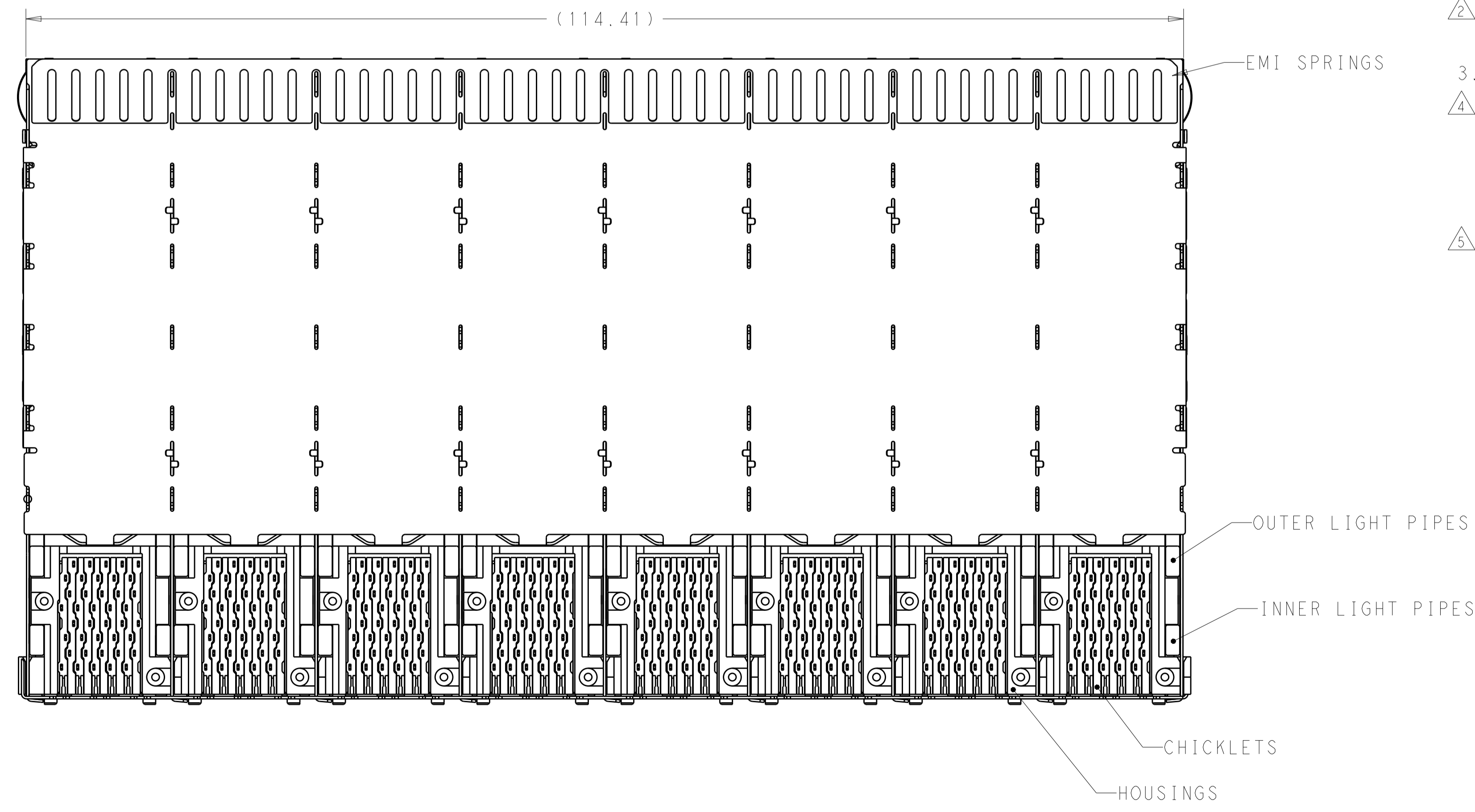
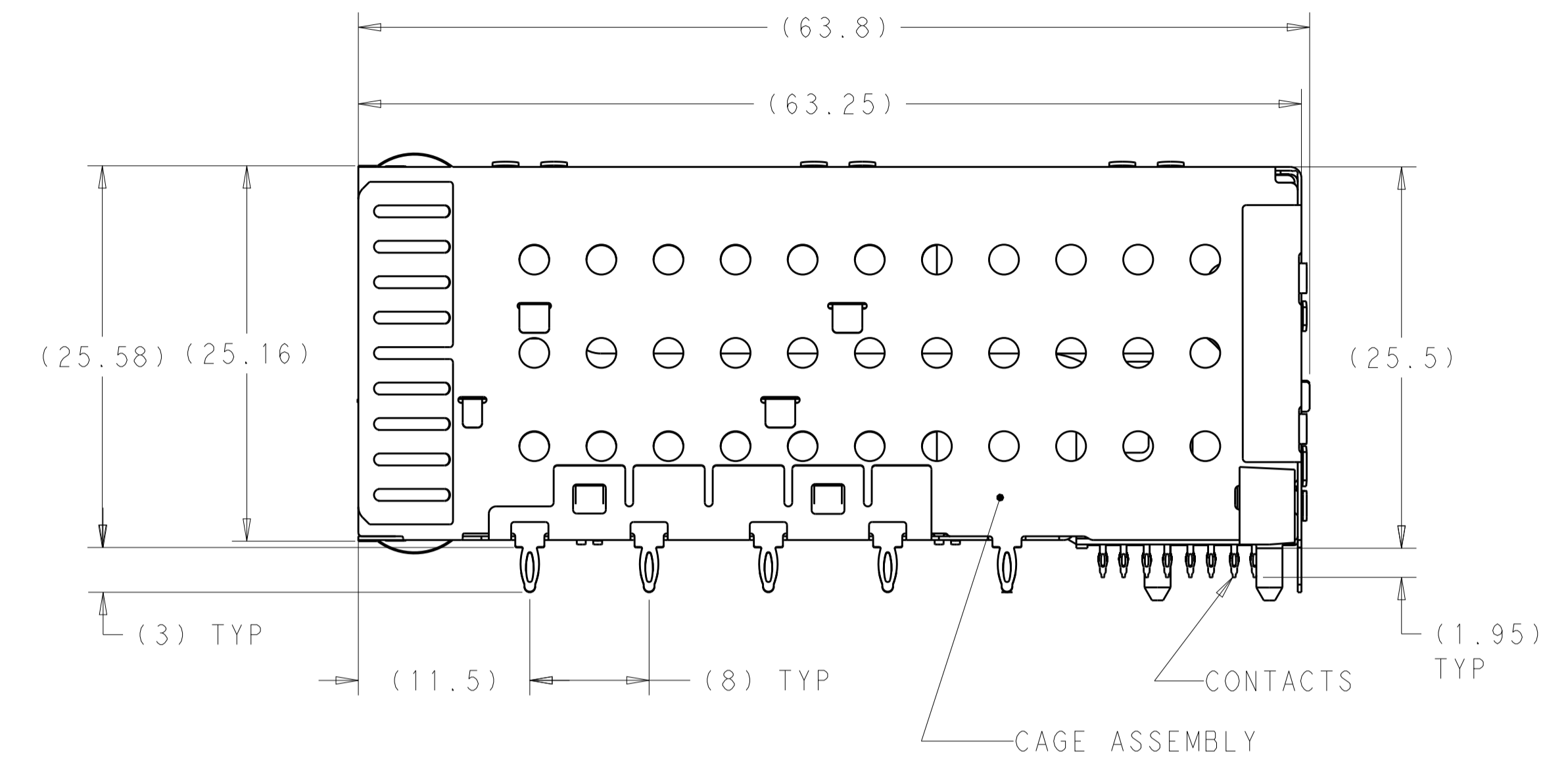
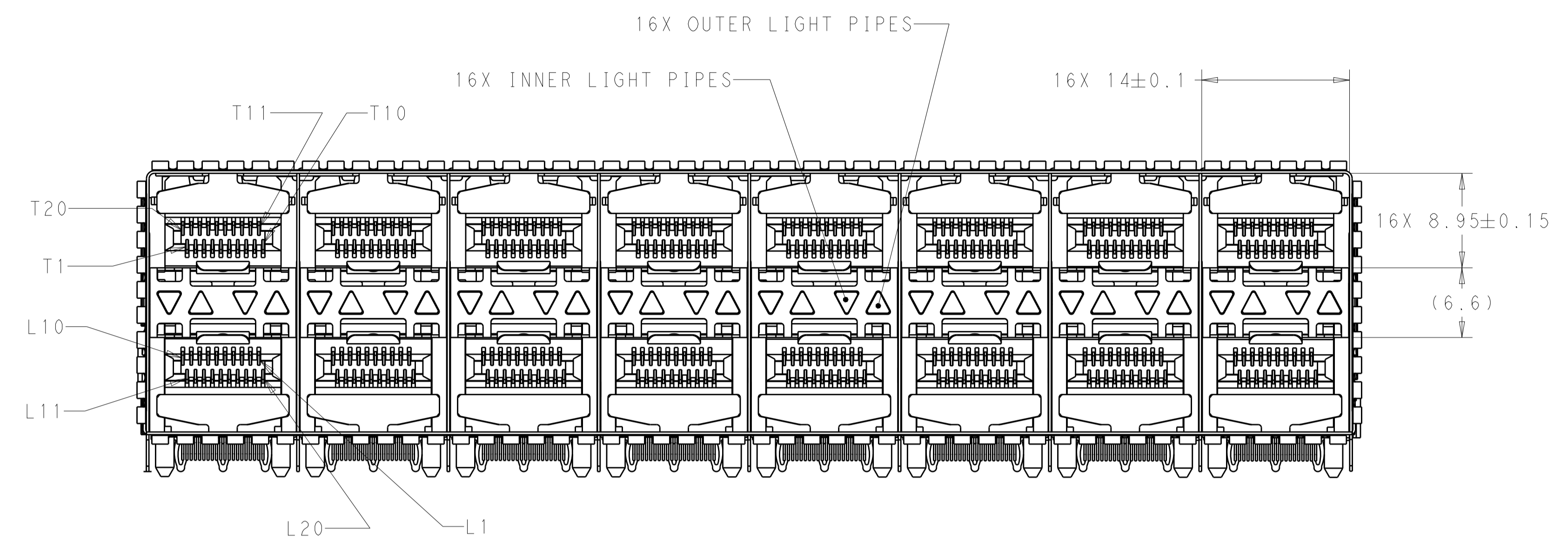
Tel: +86-755-8981 8866 Fax: +86-755-8427 6832

Email & Skype: info@chipsmall.com Web: www.chipsmall.com

Address: A1208, Overseas Decoration Building, #122 Zhenhua RD., Futian, Shenzhen, China



LOC	DIST	REVISIONS					
GP	00	P	LTN	DESCRIPTION	DATE	DWN	APVD
		B		REVISED PER ECO-15-017919	04APR2016	AP	RP



- ⚠ MATERIALS:
 CAGE ASSEMBLY- NICKEL SILVER ALLOY PER ASTM B 122.
 EMI SPRINGS- COPPER ALLOY.
 HOUSING- BLACK LCP, UL 94V-0 RATED.
 CHICKLET- BLACK LCP, UL 94V-0 RATED.
 LIGHT PIPE- POLYCARBONATE, CLEAR.
 CONTACT- COPPER ALLOY.
- ⚠ DATUM AND BASIC DIMENSIONS ESTABLISHED BY CUSTOMER.
- 3. MINIMUM PCB THICKNESS OF 1.5.
- ⚠ CONTACT FINISH- CONFORMS TO THE REQUIREMENTS OF TYCO ELECTRONICS PRODUCT SPECIFICATION 108-2331, BASED ON EIA/ECA-364-1000.01A, (CONTROLLED ENVIRONMENT APPLICATIONS) ON MATING INTERFACE, TIN-LEAD ON NEEDLE EYE.
- ⚠ CONTACT FINISH- CONFORMS TO THE REQUIREMENTS OF TYCO ELECTRONICS PRODUCT SPECIFICATION 108-2331, BASED ON EIA/ECA-364-1000.01A, (CONTROLLED ENVIRONMENT APPLICATIONS) ON MATING INTERFACE, TIN ON NEEDLE EYE.
- ⚠ FOR HOLE SIZE AND PLATINGS, SEE APPLICATION SPEC 114-13219.
- ⚠ THE ENTIRE AREA OF THE CONNECTOR FOOTPRINT, INDICATED BY THE DASHE LINE, TO BE CONSIDERED THE KEEPCUT AREA FOR COMPONENTS AND SIGNAL TRACES, TOP SIDE ONLY. TOP SIDE TRACES ALLOWED WITHIN CONNECTOR HOLE PATTERN.
- ⚠ LIGHT PIPE PAD LAYOUT IS FOR 0805 LOW PROFILE LED PACKAGE WITH A HEIGHT OF 0.8mm.
- ⚠ EMI SPRING FINISH: 0.8µm MINIMUM MATTE TIN OVER 0.8µm MINIMUM NICKEL, NONPLATED EDGES PERMISSIBLE.
- ⚠ ADDITIONAL COMPONENT LOCATED WITHIN LATCH PLATE FOR EMI SUPPRESSION.

YES	NO	ENHANCED EMI	FINISH	DESCRIPTION	PART NUMBER
YES ⚠10				NO LIGHT PIPES	1-2149490-8
				OUTER 2 LIGHT PIPES	1-2149490-7
				INNER 2 LIGHT PIPES	1-2149490-6
				4 LIGHT PIPES	1-2149490-5
				NO LIGHT PIPES	2149490-8
				OUTER 2 LIGHT PIPES	2149490-7
				INNER 2 LIGHT PIPES	2149490-6
				4 LIGHT PIPES	2149490-5
				NO LIGHT PIPES	2149490-4
				OUTER 2 LIGHT PIPES	2149490-3
				INNER 2 LIGHT PIPES	2149490-2
				4 LIGHT PIPES	2149490-1

THIS DRAWING IS A CONTROLLED DOCUMENT. DIMENSIONING AND TOLERANCING PER ASME Y14.5M-2009.

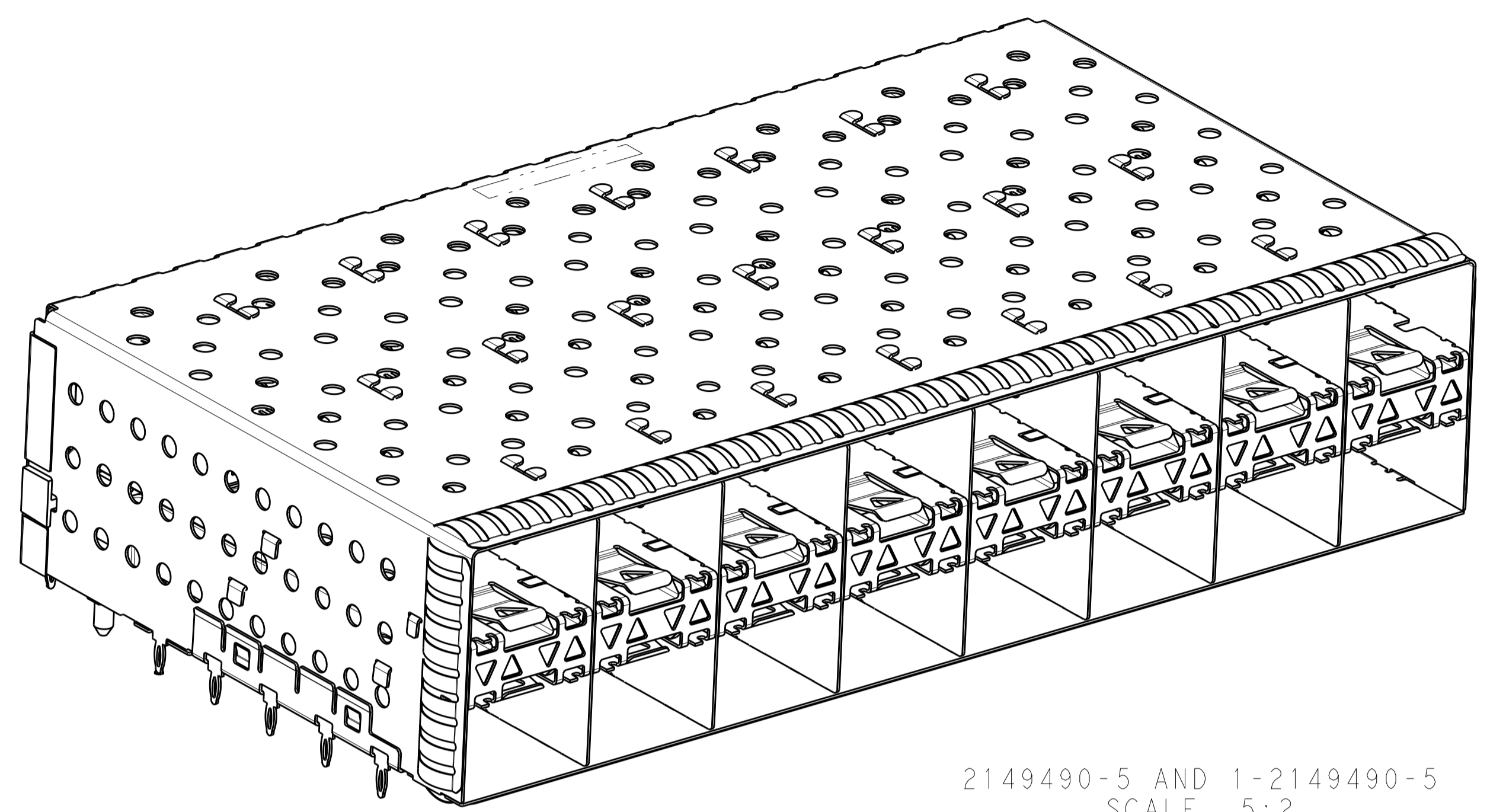
STE TE Connectivity

CAGE AND PT CONNECTOR ASSEMBLY, WITH EMI SPRINGS, PRESS FIT, 2X8, STACKED SFP+

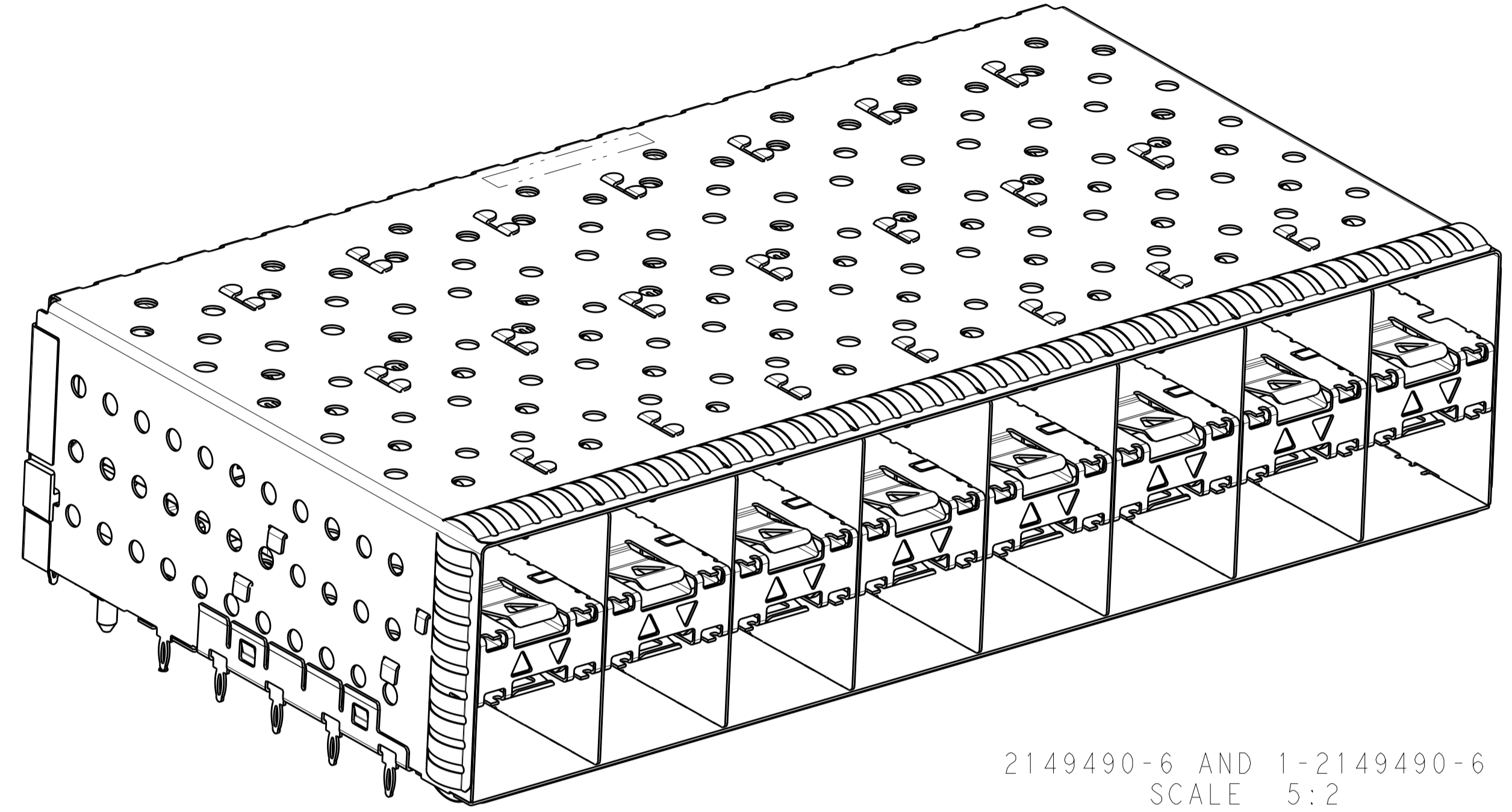
100779 ©=2149490

SCALE 3:1 SHEET 1 OF 4 REV B

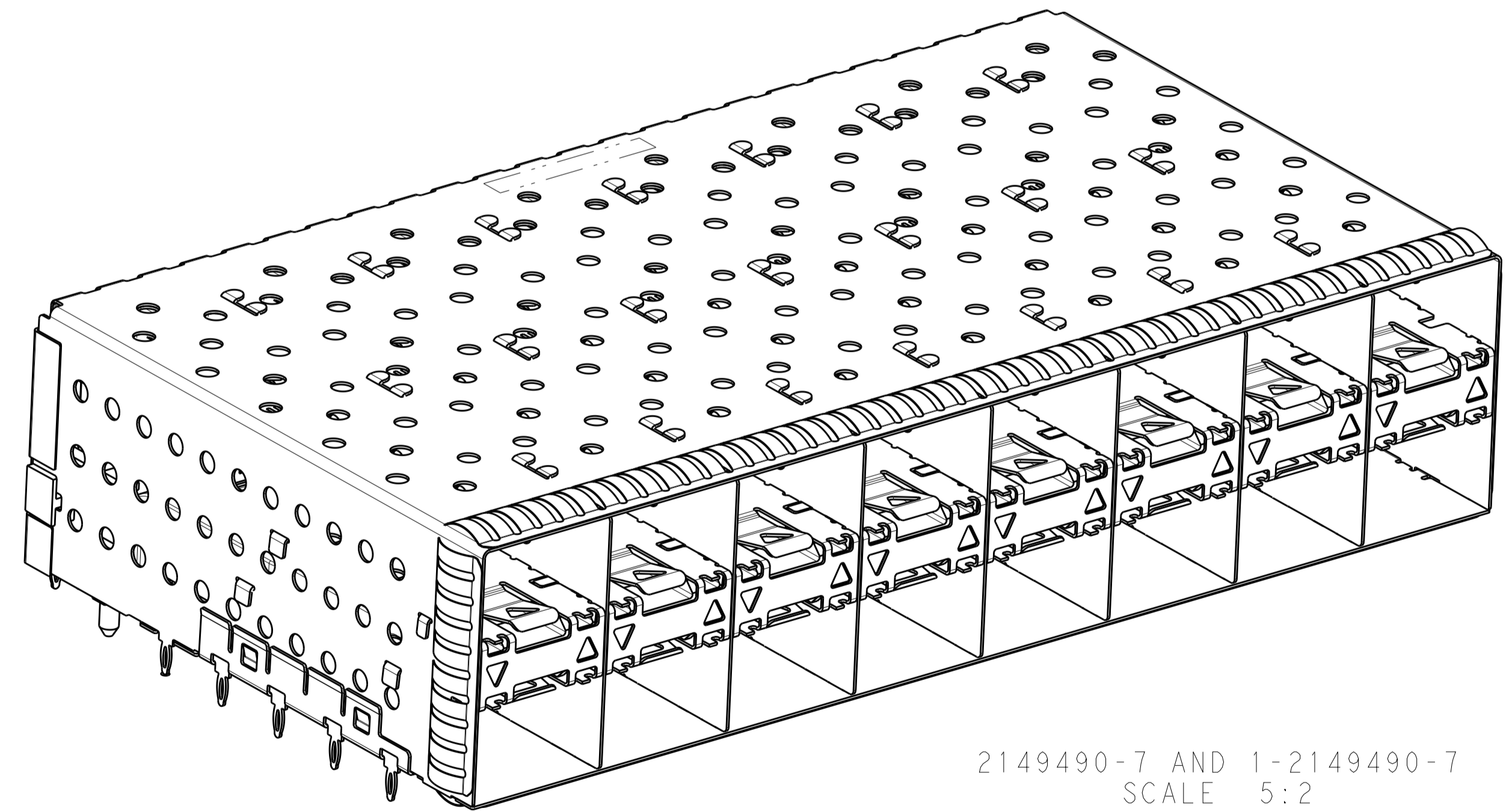
LOC		DIST		REVISIONS			
P	LTN	DESCRIPTION	DATE	DMN	APVD		
-	-	SEE SHEET 1	-	-	-		



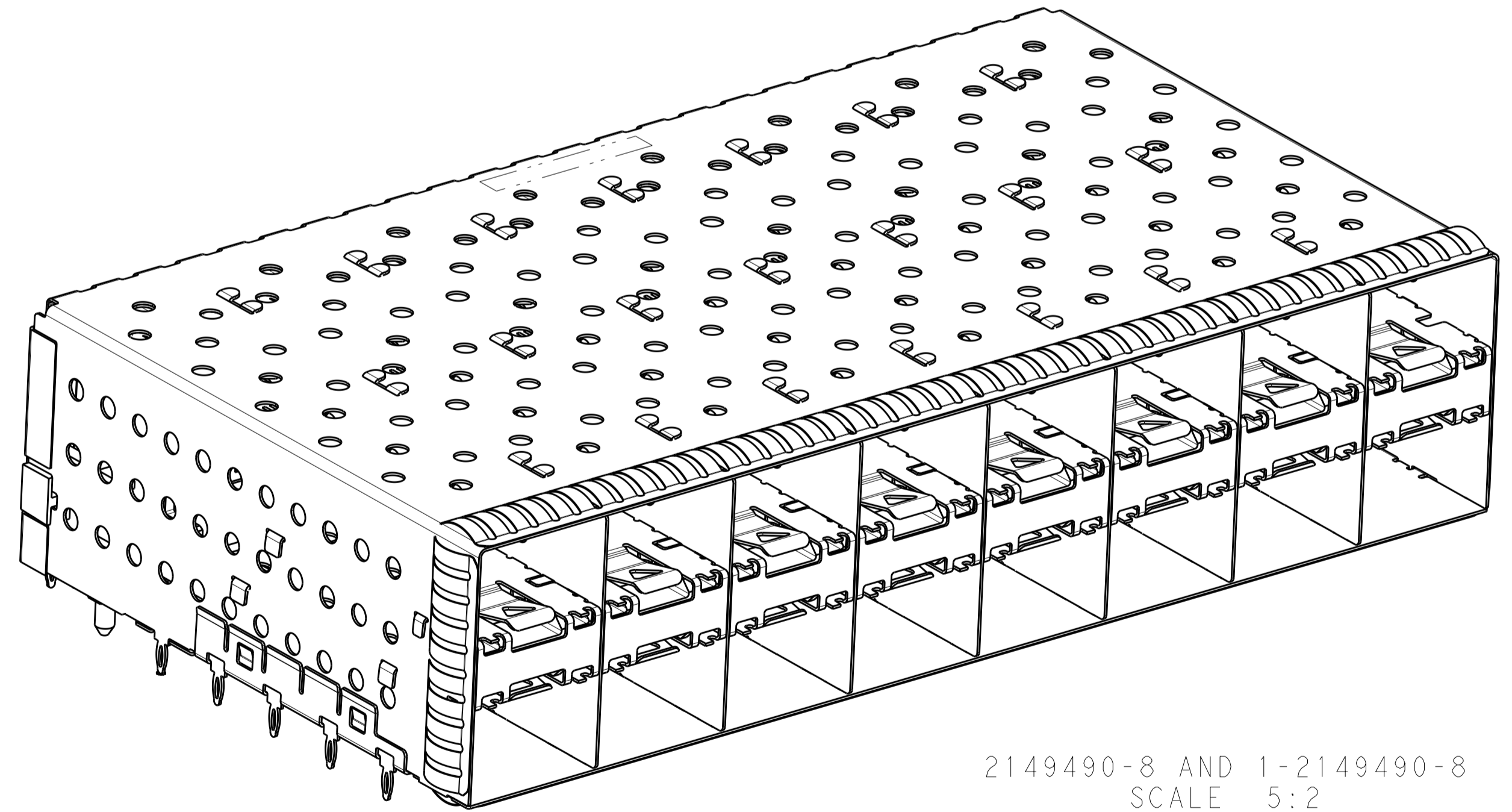
2149490-5 AND 1-2149490-5
 SCALE 5:2




2149490-6 AND 1-2149490-6
 SCALE 5:2



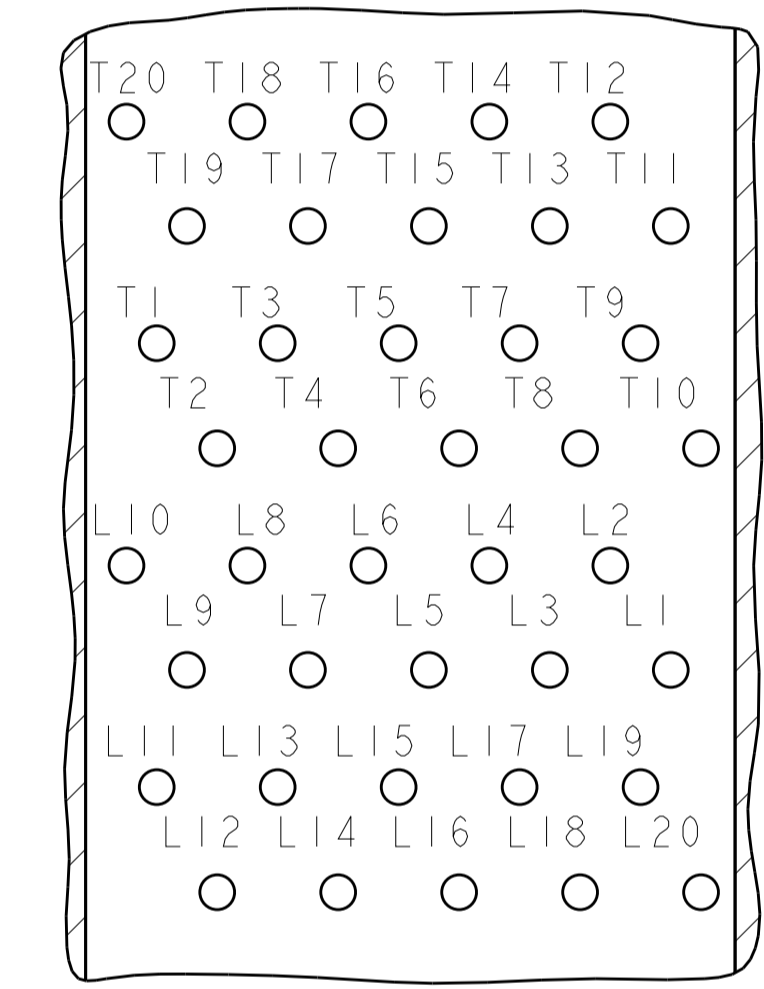
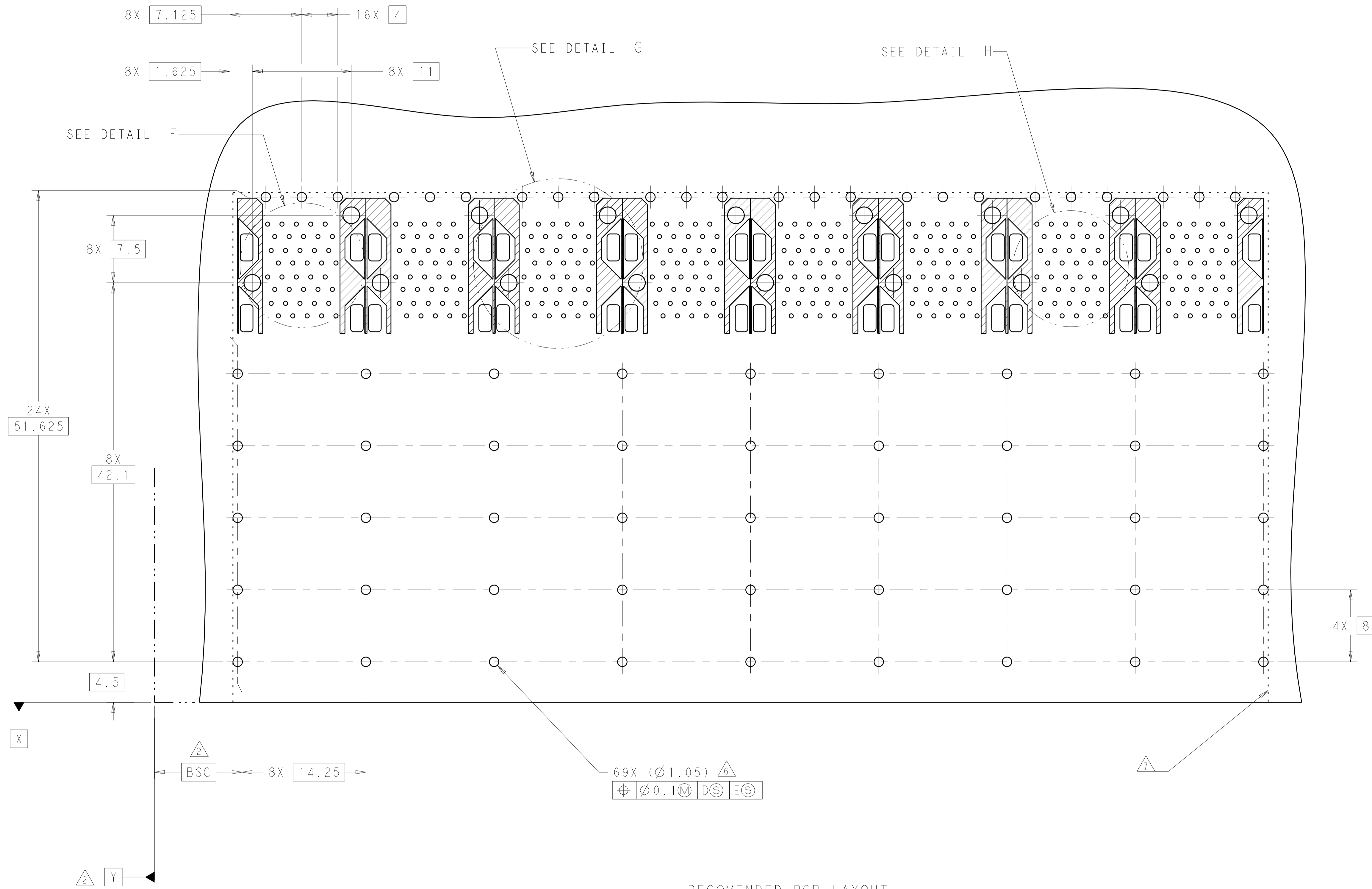
2149490-7 AND 1-2149490-7
 SCALE 5:2



2149490-8 AND 1-2149490-8
 SCALE 5:2

THIS DRAWING IS A CONTROLLED DOCUMENT. DIMENSIONING AND TOLERANCING PER ASME Y14.5M-2009.		DMN C. VALENTINE 08OCT2010	 TE Connectivity
DIMENSIONS: mm		CHK J. PETERSON 08OCT2010	
TOLERANCES UNLESS OTHERWISE SPECIFIED:		APVD J. PETERSON 08OCT2010	NAME CAGE AND PT CONNECTOR ASSEMBLY, WITH EMI SPRINGS, PRESS FIT, 2X8, STACKED SFP+
0 PLC ±.10		PRODUCT SPEC 108-2331	SIZE 114-13219
1 PLC ±0.10		APPLICATION SPEC	RESTRICTED TO
2 PLC ±0.10		WEIGHT	A100779C=2149490
3 PLC ±0.10		CUSTOMER DRAWING	SCALE 3:1 SHEET 2 OF 4 REV B
4 PLC ±0.10			
ANGLES ±.10			
FINISH			

LOC	DIST	REVISIONS			
P.	LTH	DESCRIPTION	DATE	DWN	APVD
-	-	SEE SHEET 1	-	-	-

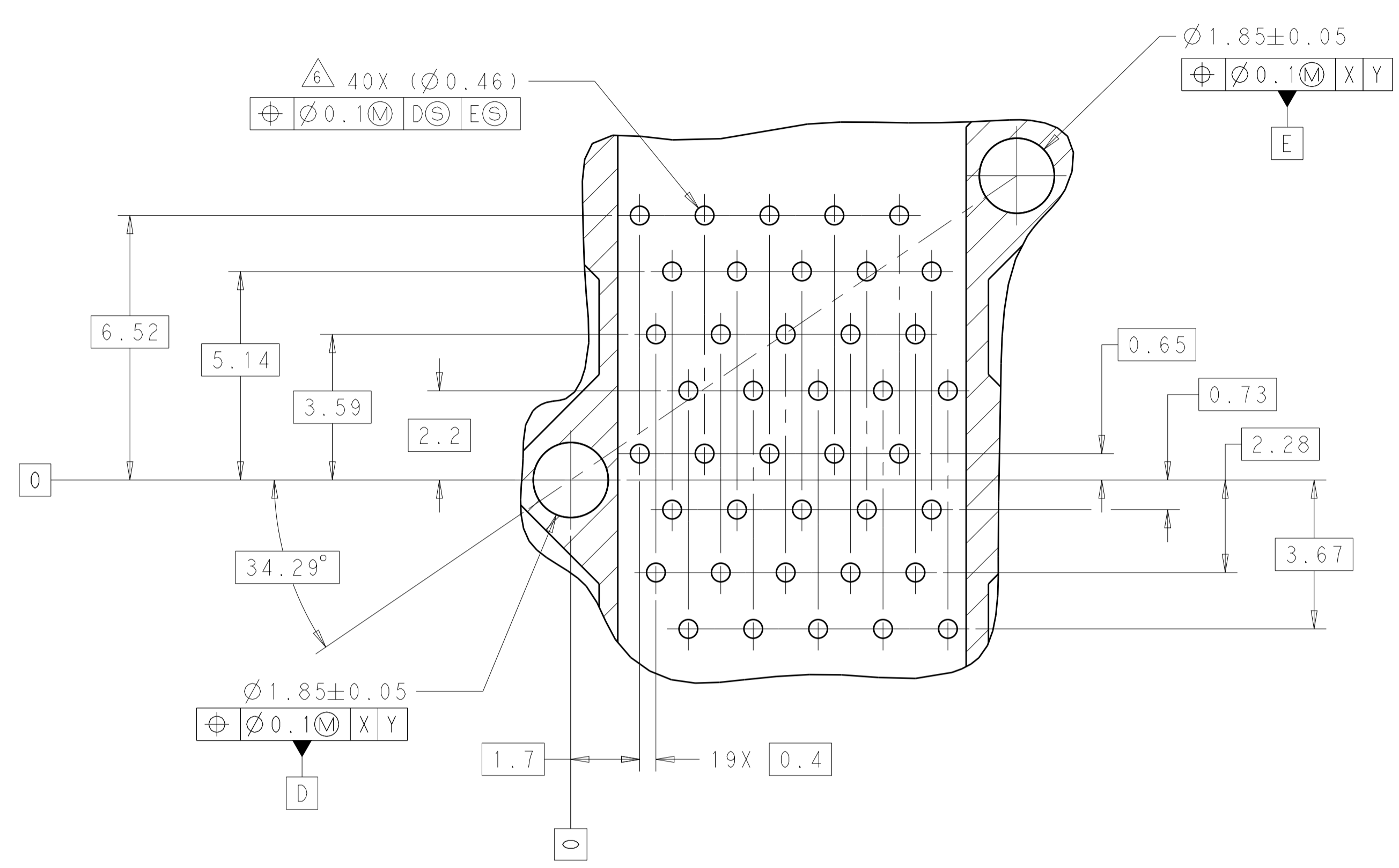


DETAIL H
CONNECTOR PIN-OUT
COMPONENT SIDE OF BOARD
8X INDIVIDUALLY
SCALE 10:1

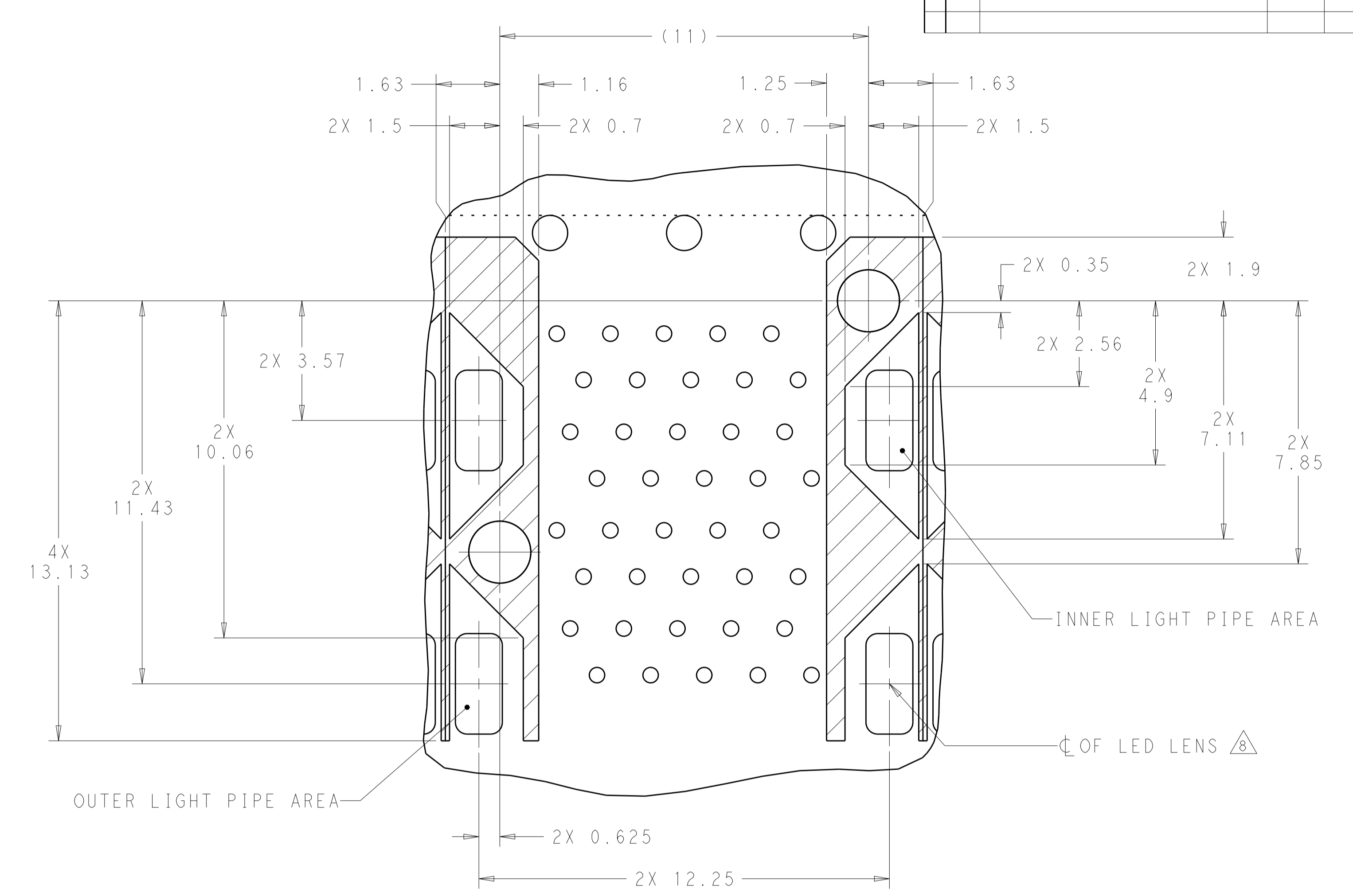
RECOMENDED PCB LAYOUT
COMPONENT SIDE OF THE BOARD
SCALE 4:1

THIS DRAWING IS A CONTROLLED DOCUMENT. DIMENSIONING AND TOLERANCING PER ASME Y14.5M-2009.		DWN C. VALENTINE 08OCT2010	TE Connectivity
DIMENSIONS: mm		CHK J. PETERSON 08OCT2010	
TOLERANCES UNLESS OTHERWISE SPECIFIED:		APVD J. PETERSON 08OCT2010	NAME CAGE AND PT CONNECTOR ASSEMBLY, WITH EMI SPRINGS, PRESS FIT, 2X8, STACKED SFP+
0 PLC ±.10		PRODUCT SPEC 108-2331	
1 PLC ±0.10		APPLICATION SPEC 114-13219	SIZE CAGE CODE DRAWING NO A100779C=2149490
2 PLC ±0.10		WEIGHT	
3 PLC ±0.10		CUSTOMER DRAWING	RESTRICTED TO
4 PLC ±0.10		SCALE 3:1	SHEET 3 OF 4
ANGLES ±.10		REV B	
FINISH			

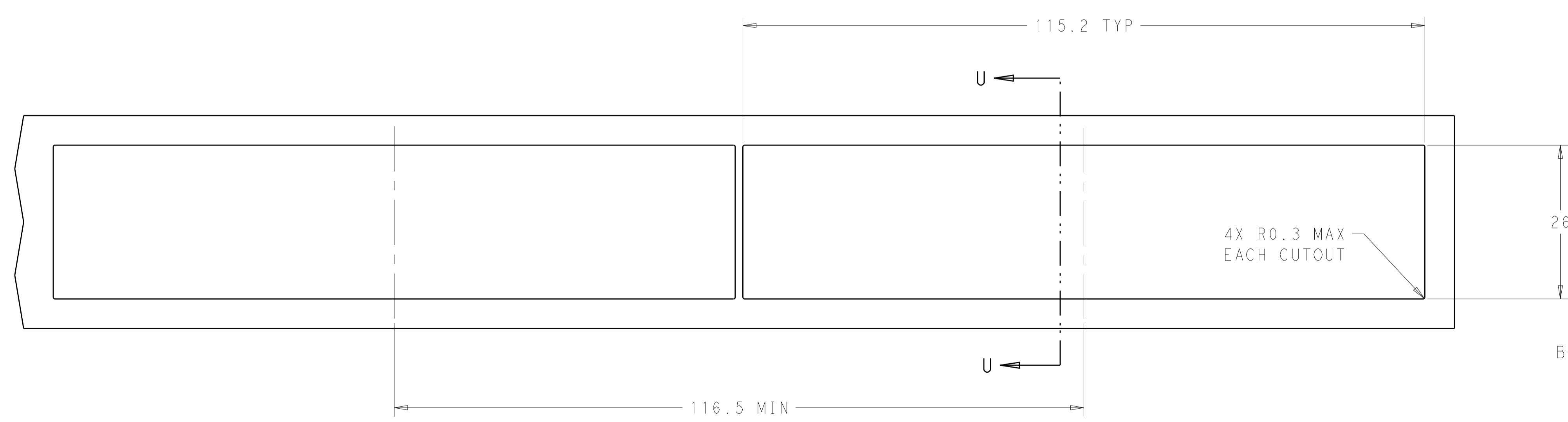
LOC	DIST	REVISIONS			
P	LTN	DESCRIPTION	DATE	DMN	APVD
-	-	SEE SHEET 1	-	-	-



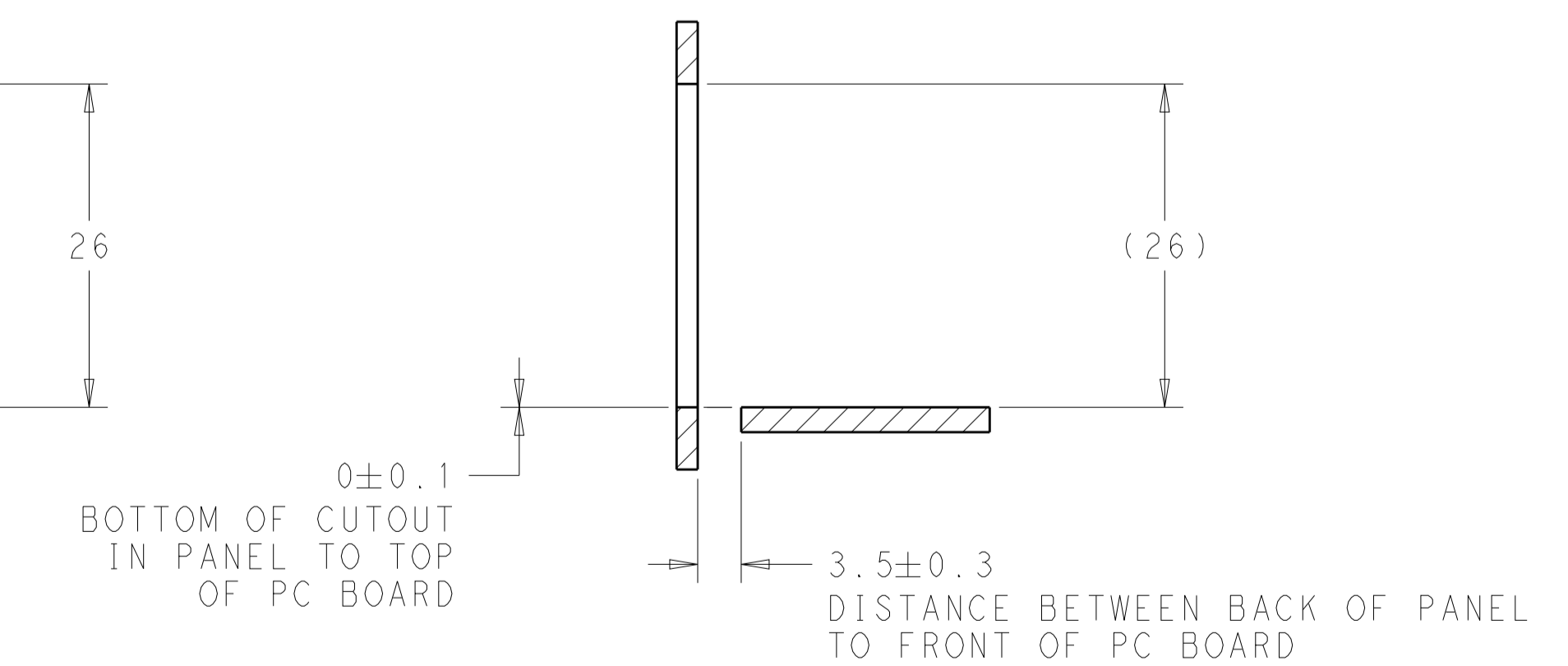
DETAIL F
 8X INDIVIDUALLY
 SCALE 10:1



DETAIL G
 CONNECTOR HOUSING
 KEEPOUT ZONE
 8X INDIVIDUALLY
 SCALE 10:1



RECOMMENDED PANEL CUTOUT
 AND PC BOARD, PANEL LAYOUT
 SCALE 2:1



SECTION U-U
 SCALE 2:1

THIS DRAWING IS A CONTROLLED DOCUMENT. DIMENSIONING AND TOLERANCING PER ASME Y14.5M-2009		DMN C. VALENTINE 08OCT2010	TE Connectivity
DIMENSIONS: mm		CHK J. PETERSON 08OCT2010	
TOLERANCES UNLESS OTHERWISE SPECIFIED:		APVD J. PETERSON 08OCT2010	NAME CAGE AND PT CONNECTOR ASSEMBLY, WITH EMI SPRINGS, PRESS FIT, 2X8, STACKED SFP+
0 PLC ±0.10 1 PLC ±0.10 2 PLC ±0.10 3 PLC ±0.10 4 PLC ±0.10 ANGLES ±0.10		PRODUCT SPEC 108-2331	
MATERIAL FINISH		APPLICATION SPEC 114-13219	SIZE CAGE CODE DRAWING NO A100779C=2149490
		WEIGHT CUSTOMER DRAWING	
		SCALE 3:1	SHEET 4 OF 4 REV B