



Chipsmall Limited consists of a professional team with an average of over 10 year of expertise in the distribution of electronic components. Based in Hongkong, we have already established firm and mutual-benefit business relationships with customers from,Europe,America and south Asia,supplying obsolete and hard-to-find components to meet their specific needs.

With the principle of “Quality Parts,Customers Priority,Honest Operation,and Considerate Service”,our business mainly focus on the distribution of electronic components. Line cards we deal with include Microchip,ALPS,ROHM,Xilinx,Pulse,ON,Everlight and Freescale. Main products comprise IC,Modules,Potentiometer,IC Socket,Relay,Connector.Our parts cover such applications as commercial,industrial, and automotives areas.

We are looking forward to setting up business relationship with you and hope to provide you with the best service and solution. Let us make a better world for our industry!



Contact us

Tel: +86-755-8981 8866 Fax: +86-755-8427 6832

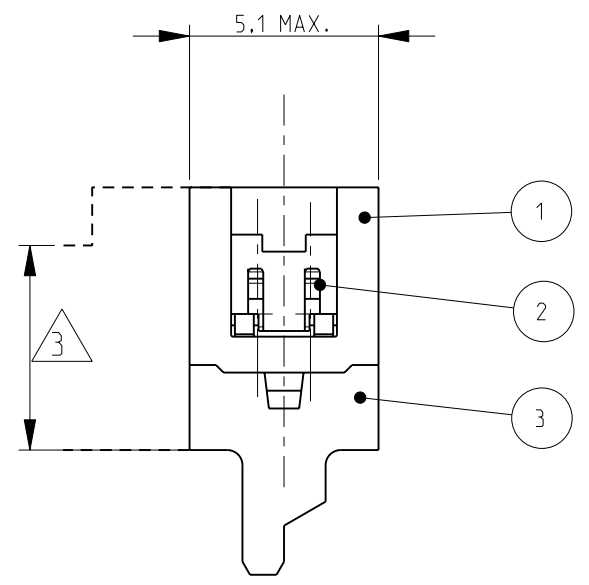
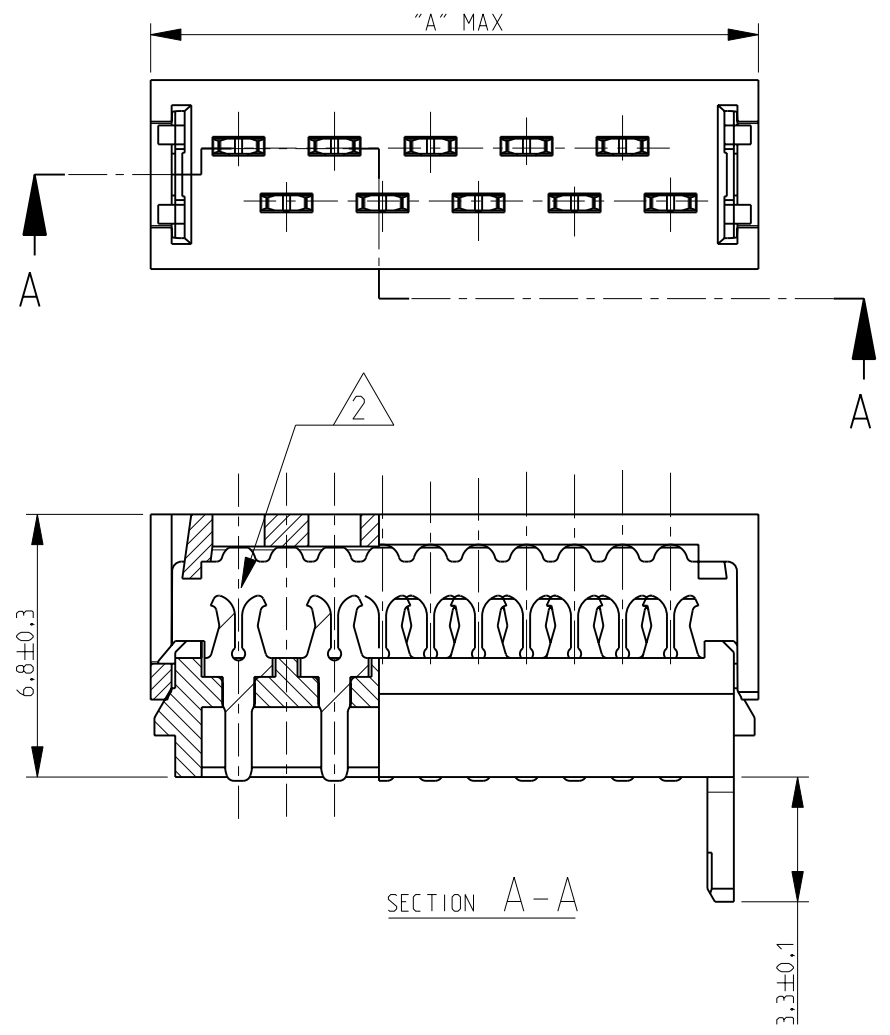
Email & Skype: info@chipsmall.com Web: www.chipsmall.com

Address: A1208, Overseas Decoration Building, #122 Zhenhua RD., Futian, Shenzhen, China

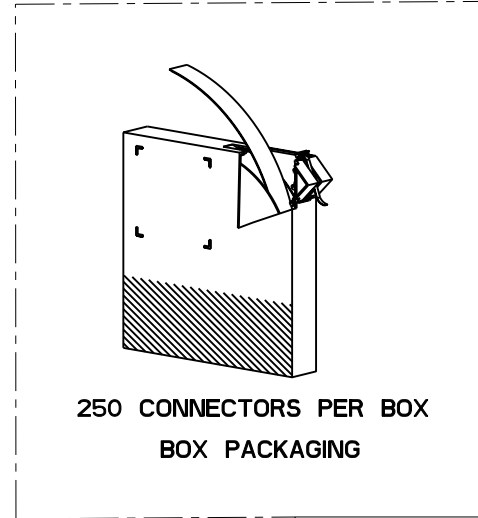
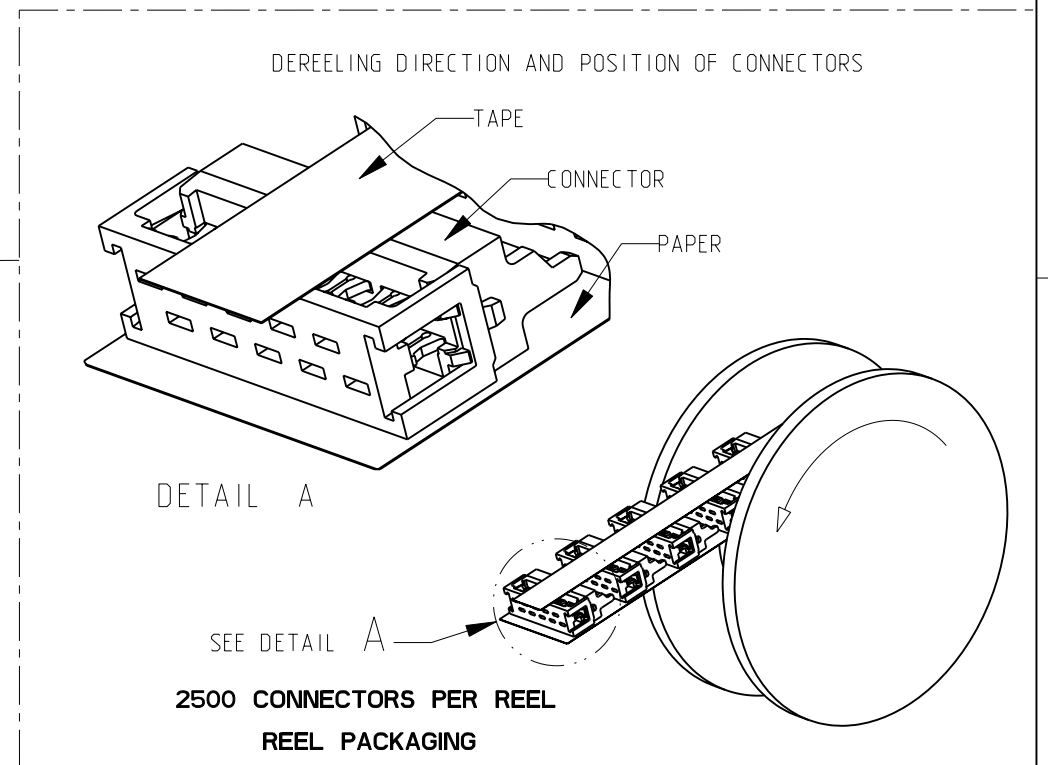


THIS DRAWING IS UNPUBLISHED. RELEASED FOR PUBLICATION
 © COPYRIGHT - BY - ALL RIGHTS RESERVED.

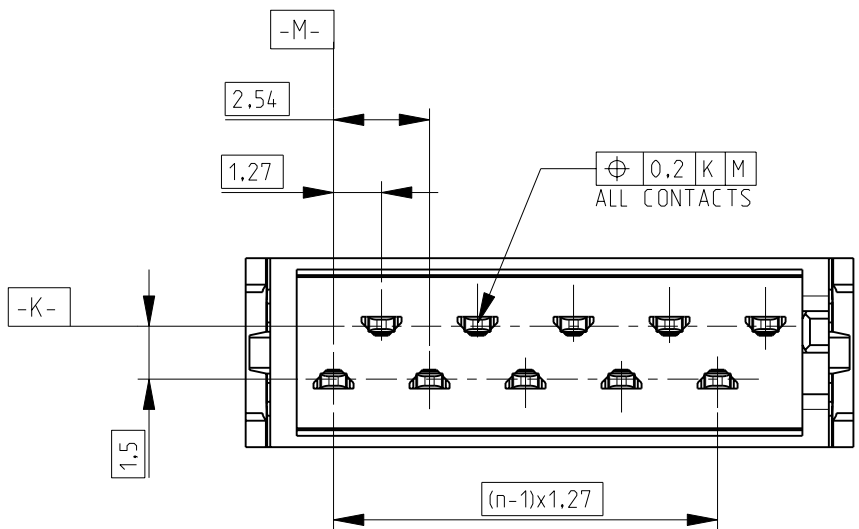
LOC	DIST	REVISIONS				
P	LTR	DESCRIPTION	DATE	DWN	APVD	
H	-	U1	REVISED PER ECO-11-005027	23MAR2011	RK	HMR
		U2	DIM "A" MAX ADDED IN TOP VIEW	21-07-11	SP	RP



PART NUMBER BOX PACKAGING	PART NUMBER REEL PACKAGING	NO OF POS "n"	DIMENSION "A" MAX
7-215083-4	215083-4	4	8.6
7-215083-6	215083-6	6	11.1
7-215083-8	215083-8	8	13.6
8-215083-0	1-215083-0	10	16.2
8-215083-2	1-215083-2	12	18.7
8-215083-4	1-215083-4	14	21.3
8-215083-6	1-215083-6	16	23.8
8-215083-8	1-215083-8	18	26.3
9-215083-0	2-215083-0	20	28.9
9-215083-4	2-215083-4	24	34.0



FINISH	MATERIAL	DESCRIPTION	ITEM
--	GLASS FILLED POLYESTER (RED)	HOUSING	3
TIN OVER NICKEL PLATING	PHOPOHOR BRONZE	MALE CONTACT	2
--	GLASS FILLED POLYESTER (RED)	COVER	1



- NOTES:
- SHOWN IS A 10 POSITION CONNECTOR
 - FOR FLAT RIBBON CABLE REQUIREMENTS. SEE APPLICATION SPEC 114-19016.
 - CONNECTOR-HEIGHT AFTER CABLE TERMINATION 5.1 mm AVERAGE. DEPENDING ON PROCESSING. SEE APPLICATION SPEC 114-19016.

THIS DRAWING IS A CONTROLLED DOCUMENT.		DWN P.V.Tongeren	TE Connectivity	
DIMENSIONS: mm		CHK H SPELDE 24-08-01		
TOLERANCES UNLESS OTHERWISE SPECIFIED:		APVD H SPELDE 24-08-01		
0 PLC ± 1 PLC ± 2 PLC ± 3 PLC ± 4 PLC ± ANGLES ±		PRODUCT SPEC 108-19052		
MATERIAL SEE TABLE		FINISH SEE TABLE	NAME Micro-MaTch MALE-ON-WIRE CONNECTOR	
		WEIGHT -	SIZE A3	CAGE CODE 00779
		CUSTOMER DRAWING	DRAWING NO C-215083	RESTRICTED TO -
			SCALE 5:1	SHEET 1 OF 1
				REV U2