



Chipsmall Limited consists of a professional team with an average of over 10 year of expertise in the distribution of electronic components. Based in Hongkong, we have already established firm and mutual-benefit business relationships with customers from,Europe,America and south Asia,supplying obsolete and hard-to-find components to meet their specific needs.

With the principle of “Quality Parts,Customers Priority,Honest Operation,and Considerate Service”,our business mainly focus on the distribution of electronic components. Line cards we deal with include Microchip,ALPS,ROHM,Xilinx,Pulse,ON,Everlight and Freescale. Main products comprise IC,Modules,Potentiometer,IC Socket,Relay,Connector.Our parts cover such applications as commercial,industrial, and automotives areas.

We are looking forward to setting up business relationship with you and hope to provide you with the best service and solution. Let us make a better world for our industry!



Contact us

Tel: +86-755-8981 8866 Fax: +86-755-8427 6832

Email & Skype: info@chipsmall.com Web: www.chipsmall.com

Address: A1208, Overseas Decoration Building, #122 Zhenhua RD., Futian, Shenzhen, China



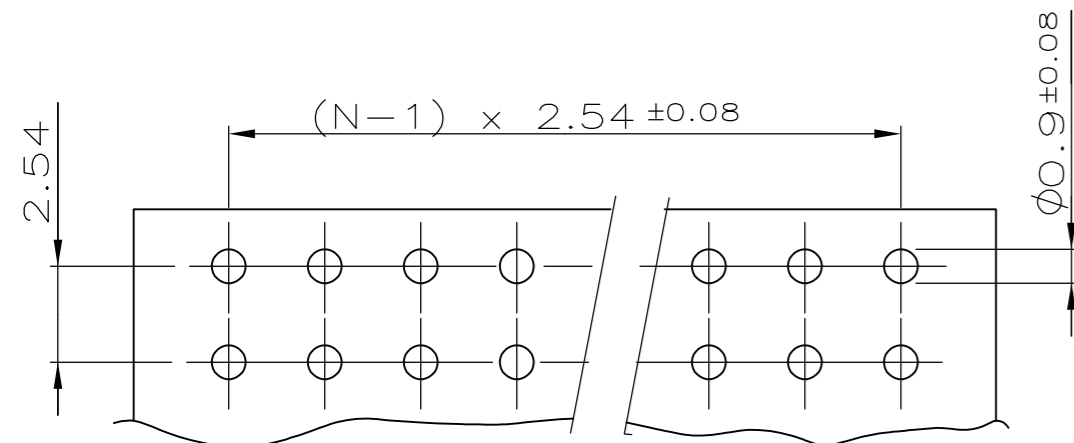
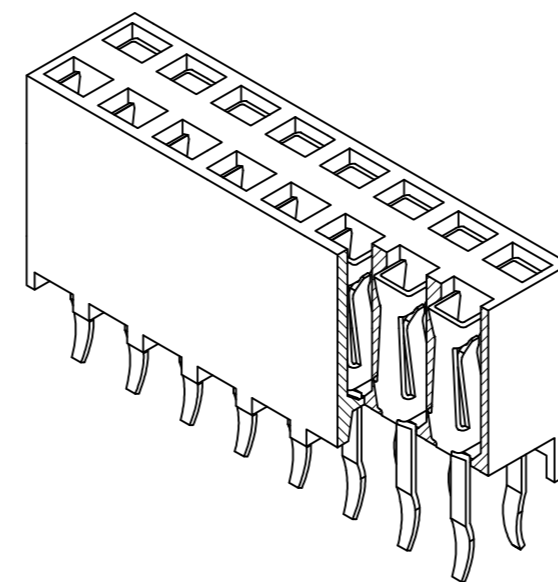
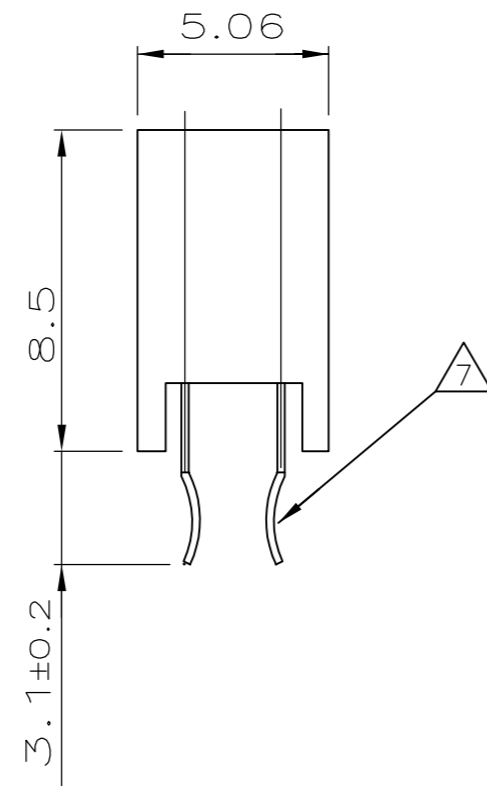
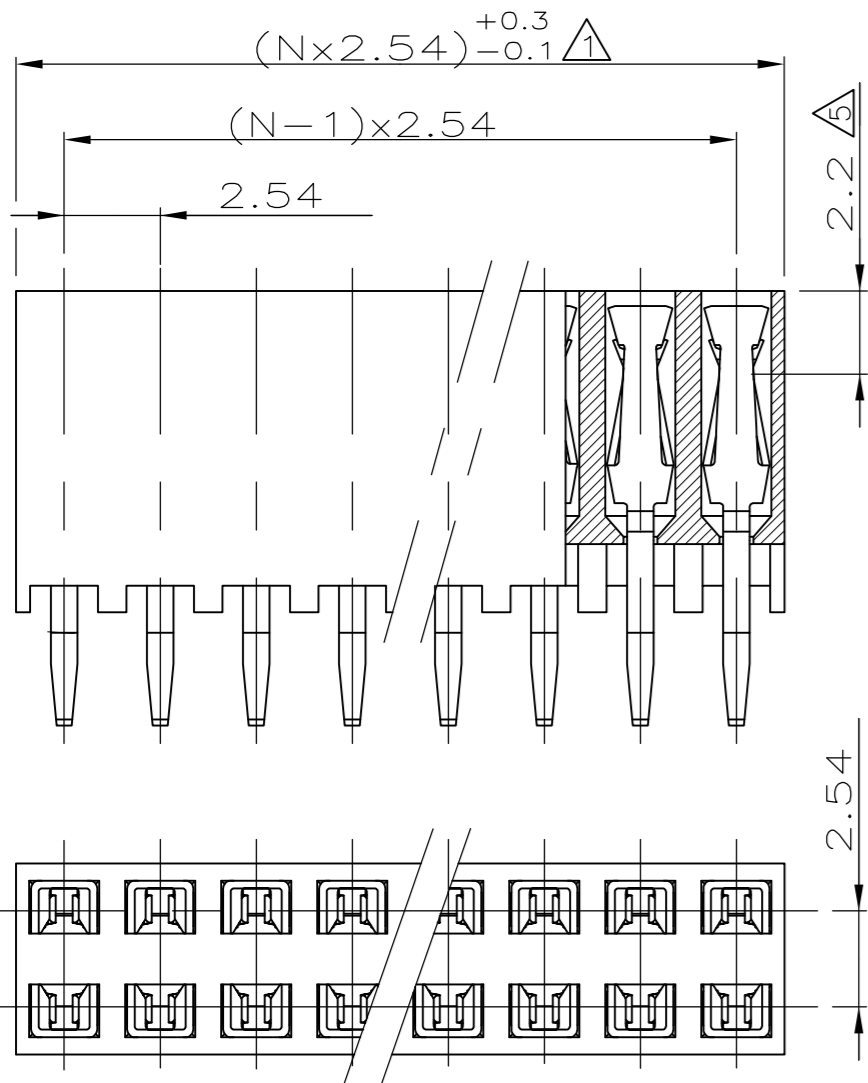
THIS DRAWING IS UNPUBLISHED. RELEASED FOR PUBLICATION
 © COPYRIGHT - By - ALL RIGHTS RESERVED.

LOC		DIST		REVISIONS			
P	LTR	DESCRIPTION		DATE	DWN	APVD	
	D3	1-215310-5 REACTIVATED		20OCT2012	SP	RP	

NOTES:

- TO DETERMINE DIMENSIONS TAKE $2 \times N = \text{NR. OF POS.}$
 FOR EXAMPLE: $2 \times 10 \text{ POS.} : N \times 2,54 = 25,4 \text{ mm.}$
 FOR ORDERNR. USE BASIC NR. + NR. OF POS.
 FOR EXAMPLE: $2 \times 2 \text{ POS.} = 215\ 310-2$ (SHORTEST VERSION)
 $2 \times 36 \text{ POS.} = 3-215\ 310-6$ (LONGEST VERSION)
- HOUSING MATERIAL: GREEN GLASSFILLED POLYESTER,
 UL 94V-0
 CONTACT MATERIAL: PHOSPHORBRONZE.
- PLATING: $2.5\ \mu\text{m}$ Sn OVER Ni
- MATES WITH 0,63 SQUARE/ROUND MODU POSTS.
- CONTACT-POINT.
- RECOMMENDED P.C.BOARD-THICKNESS: 1,6.
- RETENTION FEATURE.
- HV100 CONNECTOR PACKED IN ANTISTATIC BLISTER
- OBSOLETE PARTS: OBSOLETE CIS STREAMLINING PER D.RENAUD/D.SINISI

2-215310-1	2-215310-9
2-215310-2	3-215310-0
2-215310-3	3-215310-1
2-215310-4	3-215310-3
2-215310-7	3-215310-4
2-215310-8	



P.C.-BOARD HOLE-PATTERN

	POS PER ROW	L	PART-NO ASSEMBLY
	2	5.08	215310-2
OBSOLETE	3	7.62	-3
	4	10.16	-4
	5	12.70	-5
	6	15.24	-6
	7	17.78	-7
OBSOLETE	8	20.32	-8
	9	22.86	-9
	10	25.40	1-0
	11	27.94	1--1
OBSOLETE	12	30.48	1--2
	13	33.02	1--3
	14	35.56	1--4
	15	38.10	1--5
OBSOLETE	16	40.64	1--6
	17	43.18	1--7
OBSOLETE	18	45.72	1--8
	19	48.26	1--9
	20	50.80	2--0
	21	53.34	2--1
OBSOLETE	22	55.88	2--2
	23	58.42	2--3
9	24	60.96	2--4
	25	63.50	2--5
OBSOLETE	26	66.04	2--6
	27	68.58	2--7
OBSOLETE	28	71.12	2--8
	29	73.66	2--9
9	30	76.2	3--0
	31	78.74	3--1
	32	81.28	3--2
OBSOLETE	33	83.82	3--3
9	34	86.36	3--4
	35	88.90	3--5
	36	91.44	3-215310-6

THIS DRAWING IS A CONTROLLED DOCUMENT.		DWN L.V.D.HYDEN 09.07.86		
DIMENSIONS: mm		CHK W.SIMONS		
TOLERANCES UNLESS OTHERWISE SPECIFIED: ± 0.1		APVD L.V.SOEST	NAME HV 100 VERTICAL CONNECTOR	
0 PLC ± -		PRODUCT SPEC 108-19056	DUAL ROW , 8.5mm HEIGHT	
1 PLC ± -		APPLICATION SPEC	TOP ENTRY , TIN	
2 PLC ± -		WEIGHT -	SIZE A2	CAGE CODE 00779
3 PLC ± -		FINISH REFER NOTE 3	DRAWING NO C=215310	
4 PLC ± -		MATERIAL REFER NOTE 2	RESTRICTED TO -	
ANGLES ± -		CUSTOMER DRAWING	SCALE 5:1	SHEET 1 OF 1
			REV D3	