



Chipsmall Limited consists of a professional team with an average of over 10 year of expertise in the distribution of electronic components. Based in Hongkong, we have already established firm and mutual-benefit business relationships with customers from,Europe,America and south Asia,supplying obsolete and hard-to-find components to meet their specific needs.

With the principle of “Quality Parts,Customers Priority,Honest Operation,and Considerate Service”,our business mainly focus on the distribution of electronic components. Line cards we deal with include Microchip,ALPS,ROHM,Xilinx,Pulse,ON,Everlight and Freescale. Main products comprise IC,Modules,Potentiometer,IC Socket,Relay,Connector.Our parts cover such applications as commercial,industrial, and automotives areas.

We are looking forward to setting up business relationship with you and hope to provide you with the best service and solution. Let us make a better world for our industry!



Contact us

Tel: +86-755-8981 8866 Fax: +86-755-8427 6832

Email & Skype: info@chipsmall.com Web: www.chipsmall.com

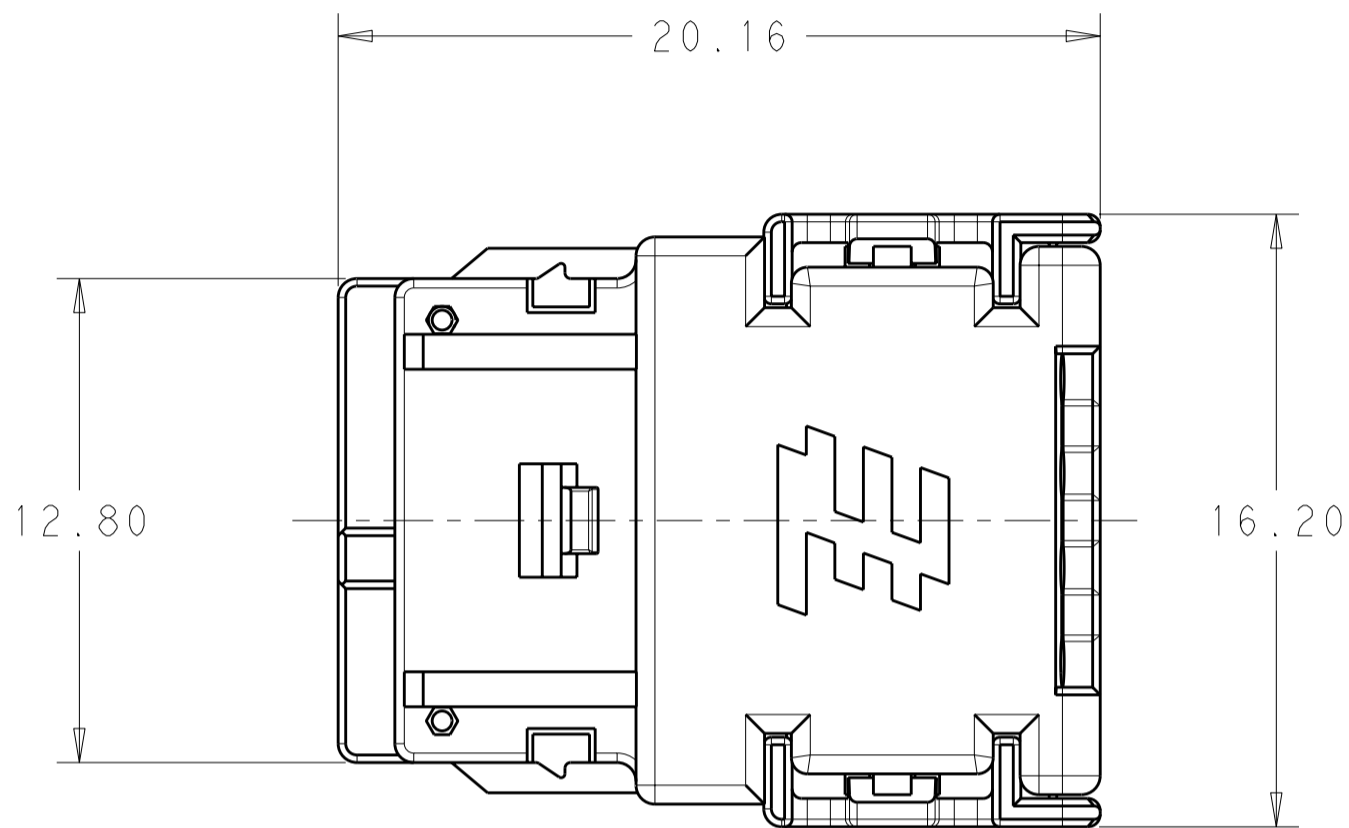
Address: A1208, Overseas Decoration Building, #122 Zhenhua RD., Futian, Shenzhen, China



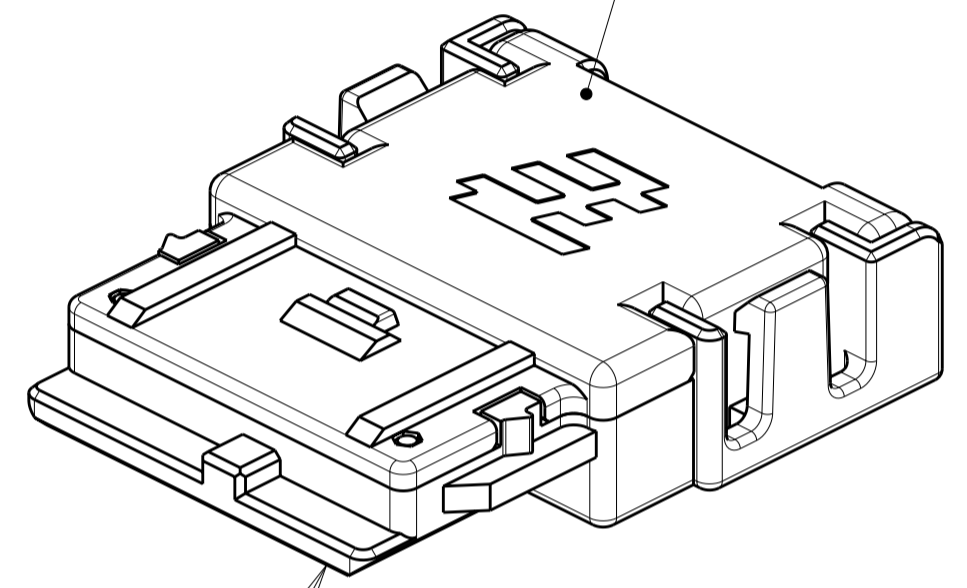
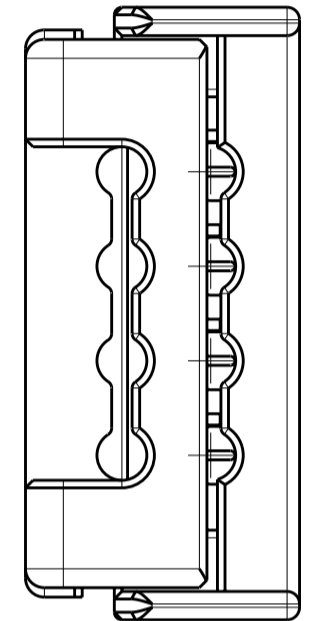
THIS DRAWING IS UNPUBLISHED. RELEASED FOR PUBLICATION 20
 © COPYRIGHT 20 BY TYCO ELECTRONICS CORPORATION. ALL INTERNATIONAL RIGHTS RESERVED.

LOC		DIST		REVISIONS			
P	LTR	DESCRIPTION	DATE	DWN	APVD		
	5	REVISED CONNECTOR MARKING STRIPE LENGTH	28FEB2011	RB	BC		

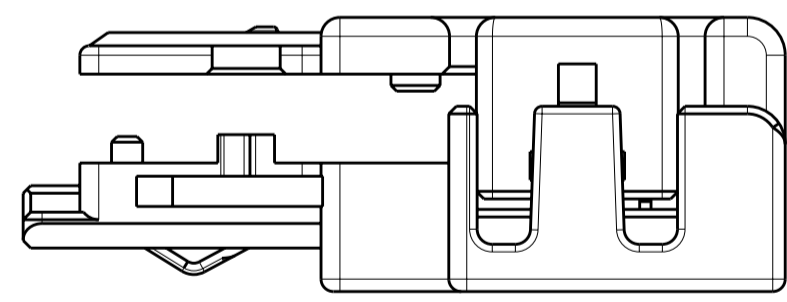
1. PARTS SHIPPED IN OPEN POSITION.
2. MUST COMPLY WITH DIRECTIVE 2002/95/EC (ROHS).
3. PACKAGING (TBD).
4. THIS PRODUCT HAS NOT COMPLETED VALIDATION TESTING.



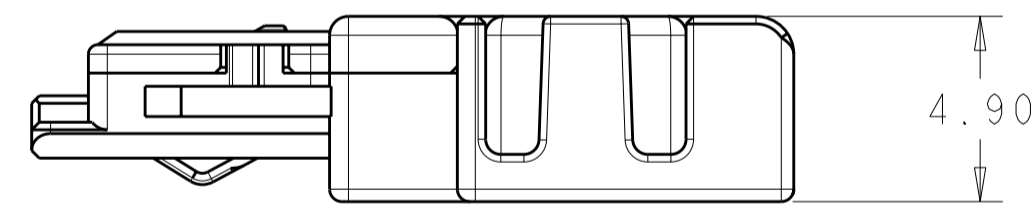
HOUSING, STUFFER, STRAIGHT CONNECTOR, NEVALO
 MATERIAL: GLASS-FILLED PBT
 COLOR: NATURAL



SUB-ASSEMBLY, BASE, STRAIGHT CONNECTOR, NEVALO
 MATERIAL: HOUSING, BASE: GLASS-FILLED PBT, COLOR: NATURAL
 CONTACTS: COPPER ALLOY
 FINISH: CONTACTS: TIN PLATE OVER NICKEL



OPEN POSITION



CLOSED POSITION

2154018-1 SHOWN

RIGHT	BLUE	1-2154018-6
RIGHT	GREEN	1-2154018-4
RIGHT	RED	1-2154018-3
RIGHT	ORANGE	1-2154018-1
LEFT	BLUE	2154018-6
LEFT	GREEN	2154018-4
LEFT	RED	2154018-3
LEFT	ORANGE	2154018-1
ORIENTATION	COLOR	PART NO.

TYCO ELECTRONICS
 CONFIDENTIAL
 AND PROPRIETARY

PROPOSED DESIGN
 NOT PRODUCTION TOOLED

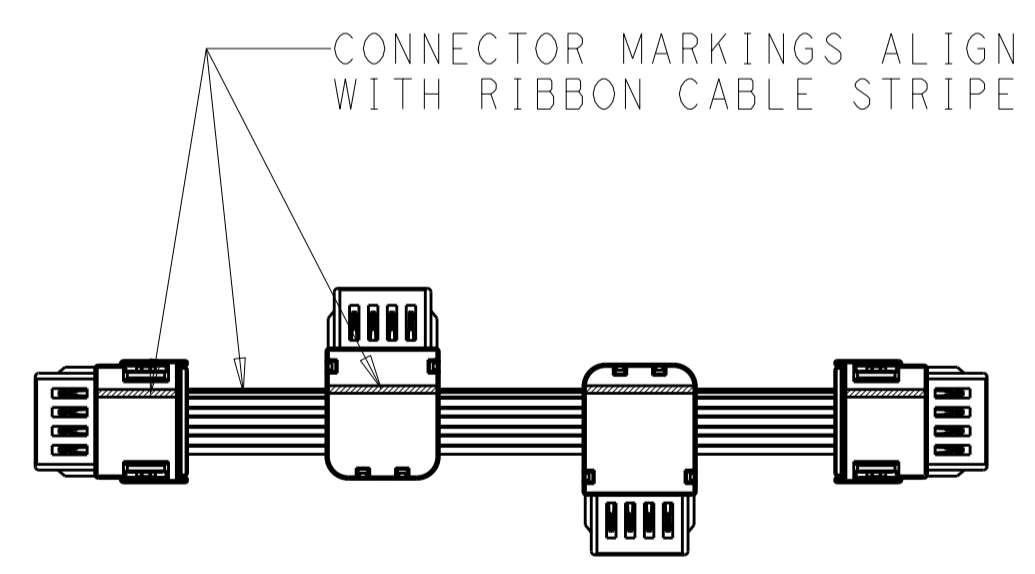
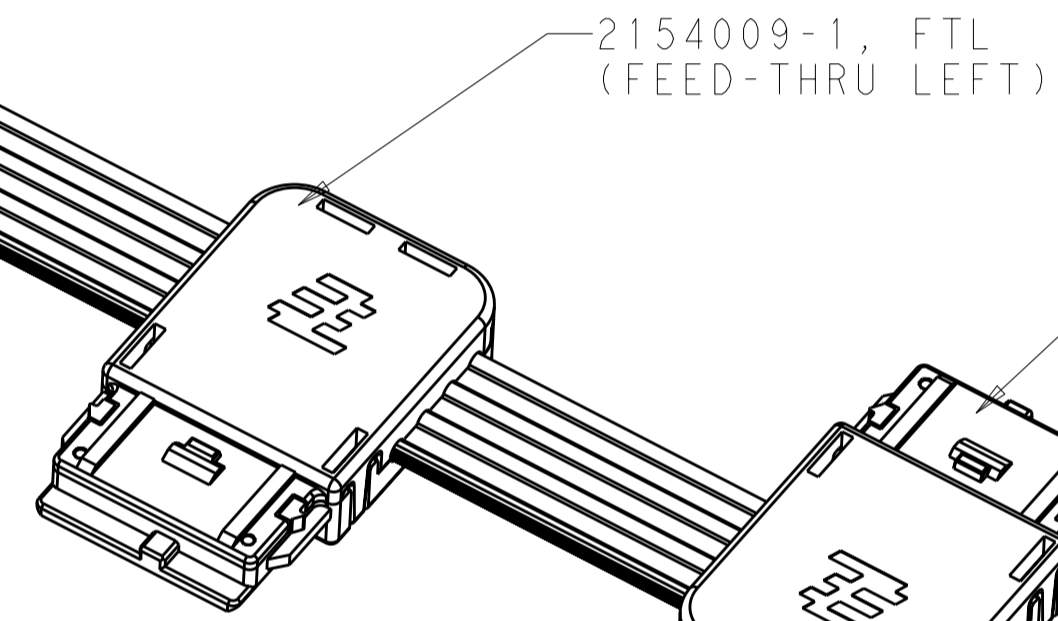
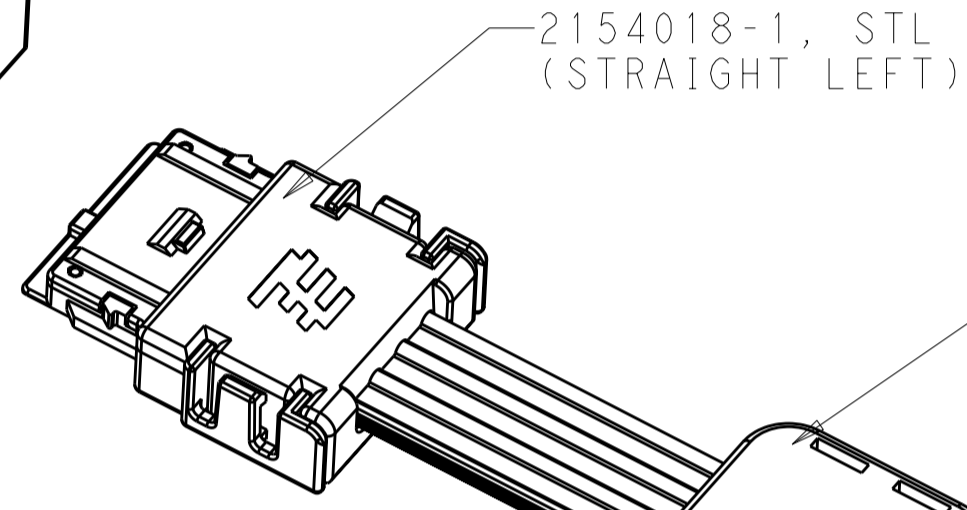
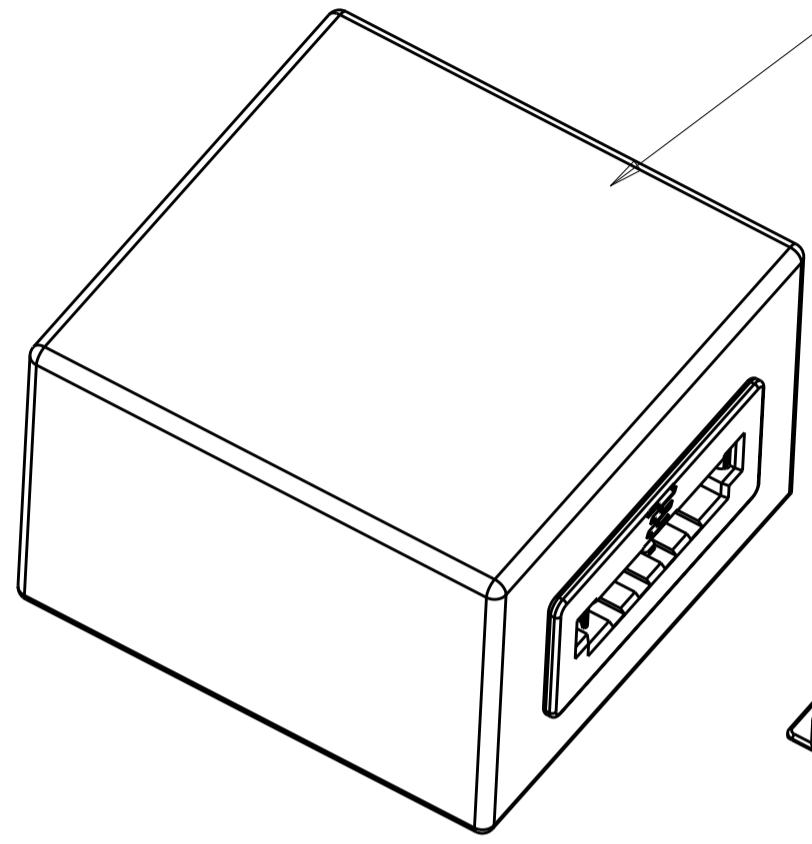
DESIGN IS SUBJECT TO
 CHANGE WITHOUT NOTICE

THIS DRAWING IS A CONTROLLED DOCUMENT FOR TYCO ELECTRONICS CORPORATION
 IT IS SUBJECT TO CHANGE AND THE CONTROLLING ENGINEERING ORGANIZATION
 SHOULD BE CONTACTED FOR THE LATEST REVISION.

DWN	OMPRAKASH	13JUL2010	 Tyco Electronics Corporation Harrisburg, PA 17105-3608					
CHK	B. CHANFY	22JUL2010						
APVD	-	-						
NAME	ASSEMBLY, STRAIGHT CONNECTOR, NEVALO							
PRODUCT SPEC	108-2442		SIZE	CAGE CODE	DRAWING NO	RESTRICTED TO		
APPLICATION SPEC	114-13290		A2	00779	C-2154018	-		
MATERIAL	-		WEIGHT	-		SCALE	5:1	
CUSTOMER DRAWING			SHEET	1	OF	2	REV	5

THIS DRAWING IS UNPUBLISHED. RELEASED FOR PUBLICATION 20
 © COPYRIGHT 20 BY TYCO ELECTRONICS CORPORATION. ALL INTERNATIONAL RIGHTS RESERVED.

LOC		DIST		REVISIONS			
P	LTR	DESCRIPTION	DATE	DWN	APVD		
-	-	SEE SHEET 1	-	-	-		



(UNDERSIDE VIEW)
SCALE 1:1

TYCO ELECTRONICS
CONFIDENTIAL
AND PROPRIETARY

PROPOSED DESIGN
NOT PRODUCTION TOOLED

DESIGN IS SUBJECT TO
CHANGE WITHOUT NOTICE

<small>THIS DRAWING IS A CONTROLLED DOCUMENT FOR TYCO ELECTRONICS CORPORATION. IT IS SUBJECT TO CHANGE AND THE CONTROLLING ENGINEERING ORGANIZATION SHOULD BE CONTACTED FOR THE LATEST REVISION.</small>		DWN OMPRAKASH 13 JUL 2010 CHK B. CHANEY 22 JUL 2010 APVD -	Tyco Electronics Corporation Harrisburg, PA 17105-3608
DIMENSIONS: mm 	TOLERANCES UNLESS OTHERWISE SPECIFIED: 0 PLC ± 1 PLC ± 2 PLC ±0.20 3 PLC ± 4 PLC ± ANGLES ± FINISH	PRODUCT SPEC - APPLICATION SPEC - WEIGHT - CUSTOMER DRAWING	NAME ASSEMBLY, STRAIGHT CONNECTOR, NEVALO SIZE A2 CAGE CODE 00779 DRAWING NO. C-2154018 RESTRICTED TO - SCALE 5:1 SHEET 2 OF 2 REV 5