



Chipsmall Limited consists of a professional team with an average of over 10 year of expertise in the distribution of electronic components. Based in Hongkong, we have already established firm and mutual-benefit business relationships with customers from,Europe,America and south Asia,supplying obsolete and hard-to-find components to meet their specific needs.

With the principle of “Quality Parts,Customers Priority,Honest Operation,and Considerate Service”,our business mainly focus on the distribution of electronic components. Line cards we deal with include Microchip,ALPS,ROHM,Xilinx,Pulse,ON,Everlight and Freescale. Main products comprise IC,Modules,Potentiometer,IC Socket,Relay,Connector.Our parts cover such applications as commercial,industrial, and automotives areas.

We are looking forward to setting up business relationship with you and hope to provide you with the best service and solution. Let us make a better world for our industry!



## Contact us

Tel: +86-755-8981 8866 Fax: +86-755-8427 6832

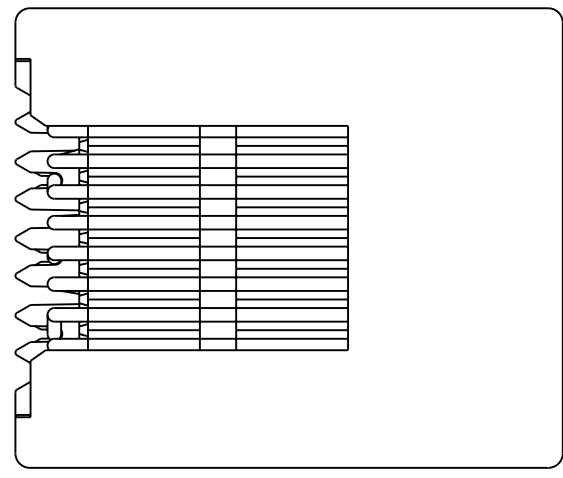
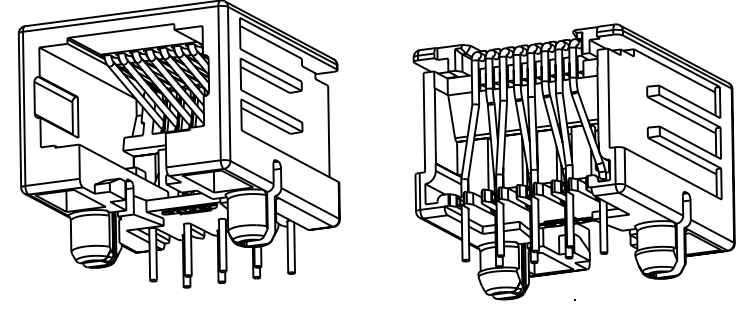
Email & Skype: info@chipsmall.com Web: www.chipsmall.com

Address: A1208, Overseas Decoration Building, #122 Zhenhua RD., Futian, Shenzhen, China



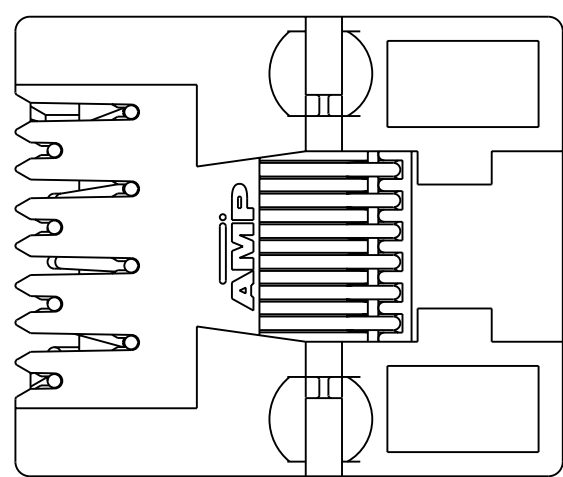
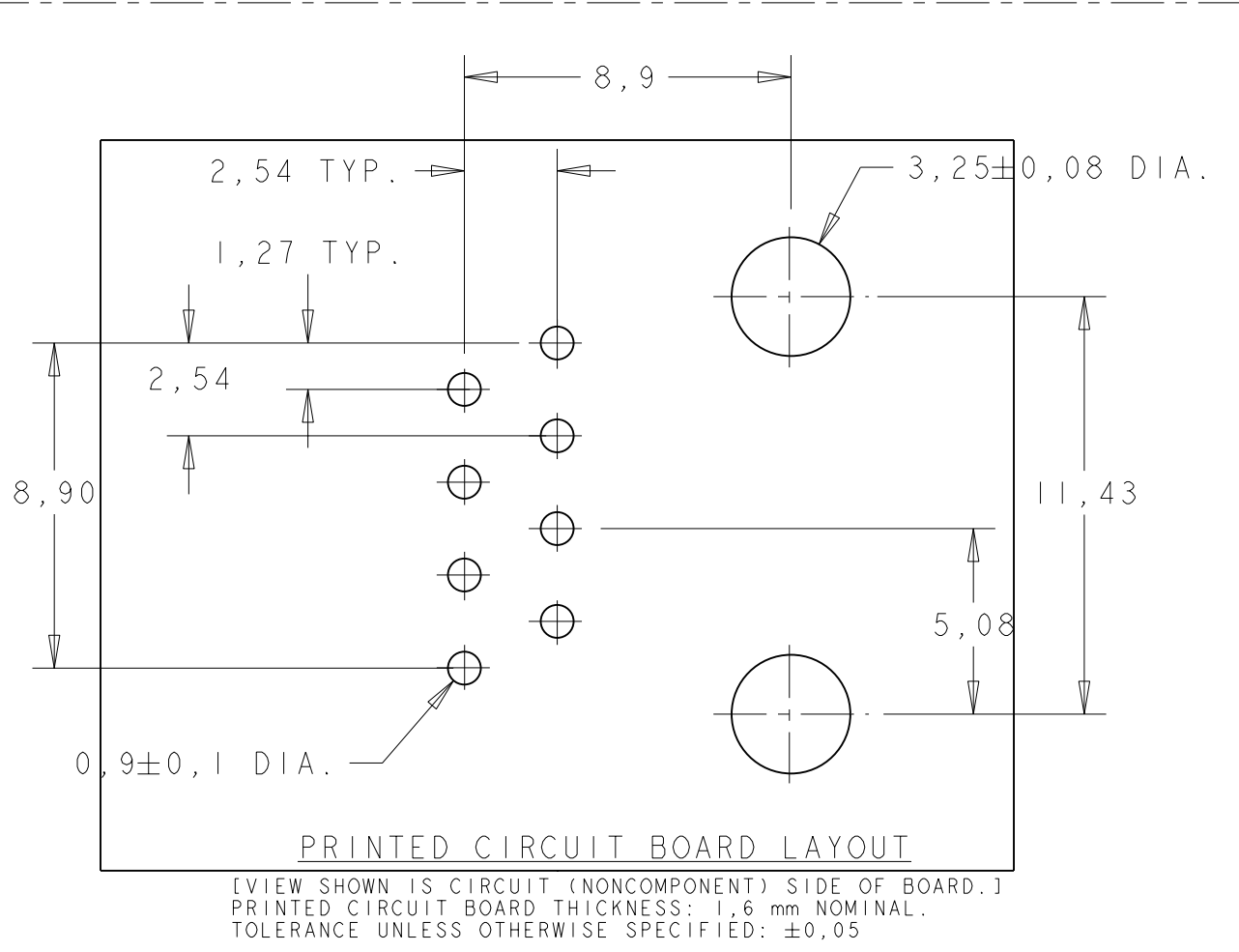
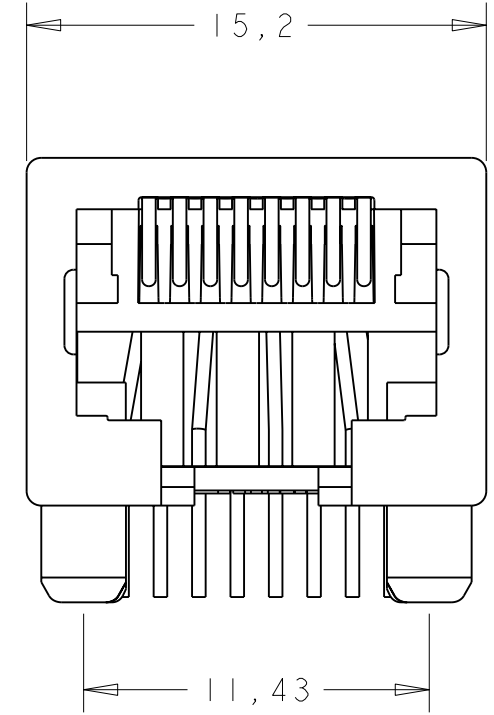
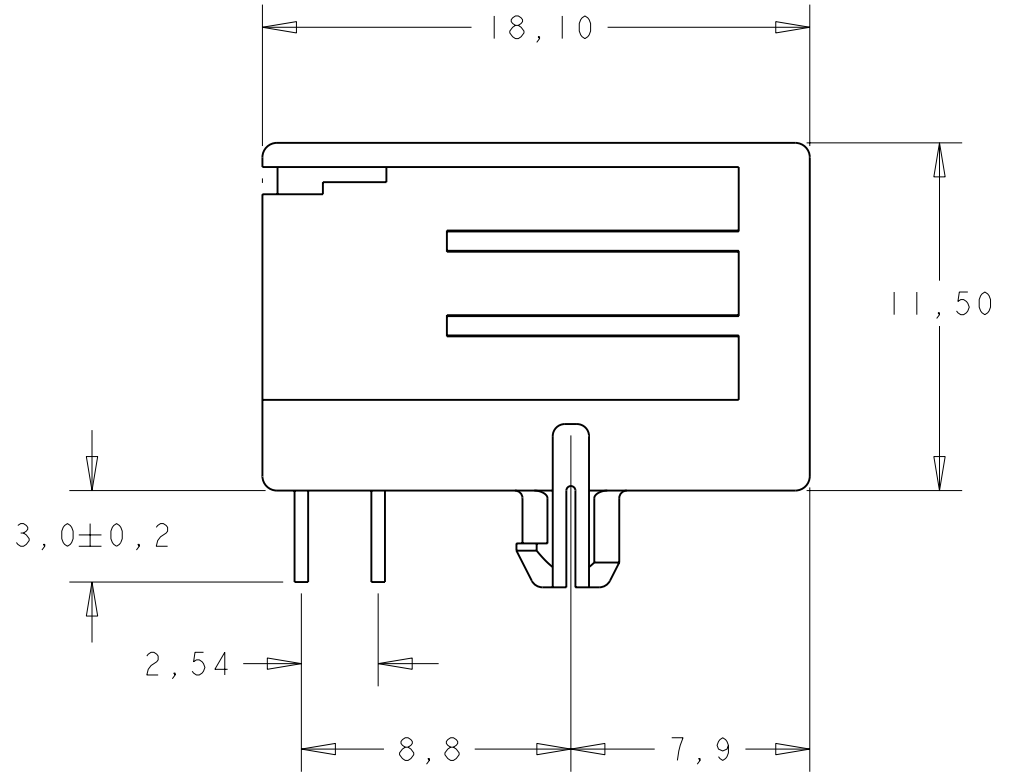
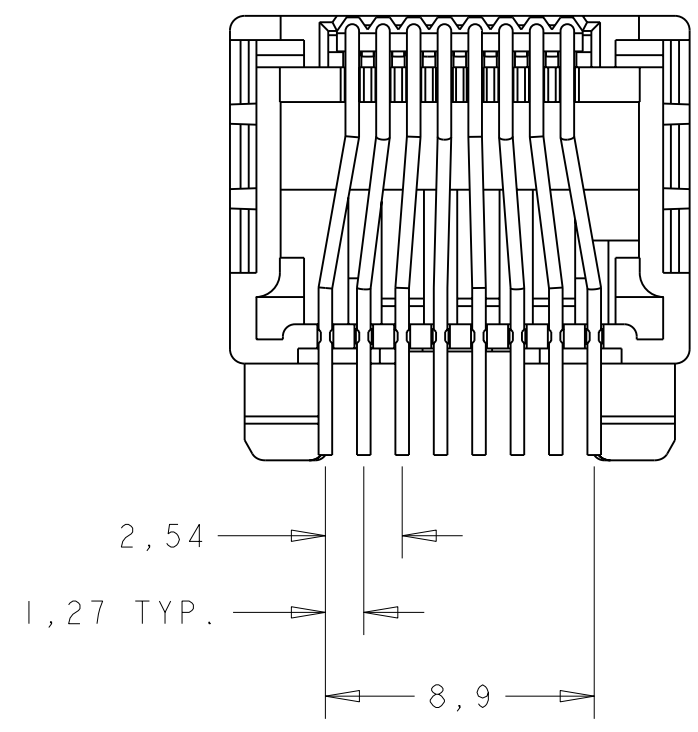
THIS DRAWING IS UNPUBLISHED. RELEASED FOR PUBLICATION  
 © COPYRIGHT - ALL RIGHTS RESERVED.

LOC	DIST	REVISIONS			
P	LTR	DESCRIPTION	DATE	DWN	APVD
1R	-	AF	ECR-10-020218	21JUN2011	PS RRP



NOTES:

- 1 TOLERANCE UNLESS OTHERWISE SPECIFIED:  $\pm 0,15$ .
- 2 FOR THIS PACKAGING METHOD THE TRUE POSITION OF THE SOLDER TINES IS NOT GUARANTEED.
- 3 SUPERSEDED BY 1-215877-3



PACKAGING	REMARKS	FINISH	MATERIAL	ORDER NUMBER
1000 PIECES BULK PACKAGED	8 POS. / 8 CONTACTS	OVERALL: Ni 1,27µm MIN. ALL OVER THE CONTACTS SOLDER ZONE: Sn 2,5µm MIN. ON THE SOLDER ZONE OF THE CONTACT MATING ZONE: PLATING CONFIRMS TO PRODUCT REQUIREMENTS AS PER SPECIFICATION 108-19064	HOUSING COLOR: BLUE RAL 5017	4-215877-1
200 PIECES IN A TRAY			HOUSING COLOR: GREY RAL 7035	3-215877-1
<del>90 PIECES IN MULTI-TUBE</del>			HOUSING COLOR: BLACK PBT: UL 94V-0 CONTACT INSERT: PBT: UL 94V-0 CONTACTS: pH BRONZE	1-215877-3
TAPE MOUNTED 700 PCS./REEL				215877-1

THIS DRAWING IS A CONTROLLED DOCUMENT.		DWN	E.v.Eijk	
DIMENSIONS: mm		CHK	M.v.Essen	
TOLERANCES UNLESS OTHERWISE SPECIFIED:		APVD	R.Smeets	
0 PLC	±	PRODUCT SPEC	108-19064	
1 PLC	±	APPLICATION SPEC	114-19019	
2 PLC	±	WEIGHT	-	
3 PLC	±	CUSTOMER DRAWING		
4 PLC	±	SCALE 4:1		
ANGLES	±	SHEET 1 OF 2		
FINISH		REV AF		

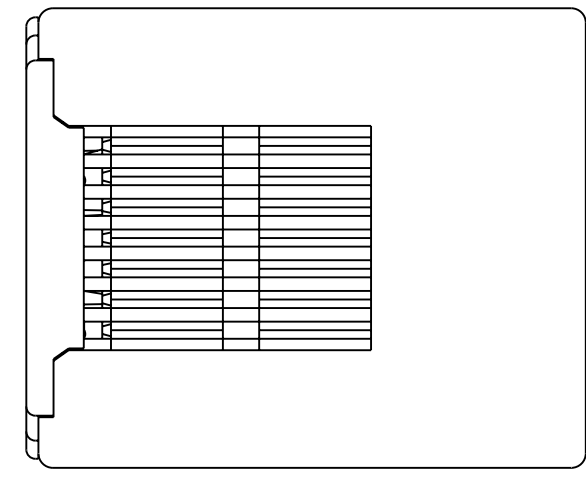
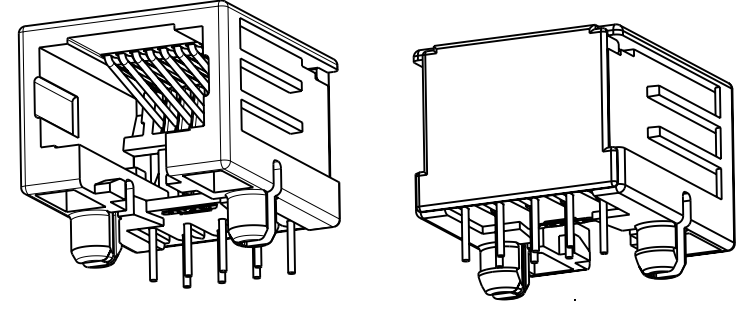
TE Connectivity

NAME: MODULAR JACK, 8 POS SIDE ENTRY FOR PRINTED CIRCUIT BOARD

SIZE: A2 CAGE CODE: C-215877 DRAWING NO: 215877 RESTRICTED TO: -

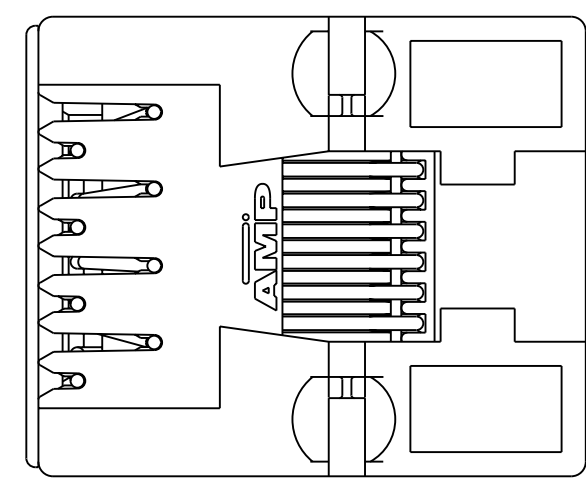
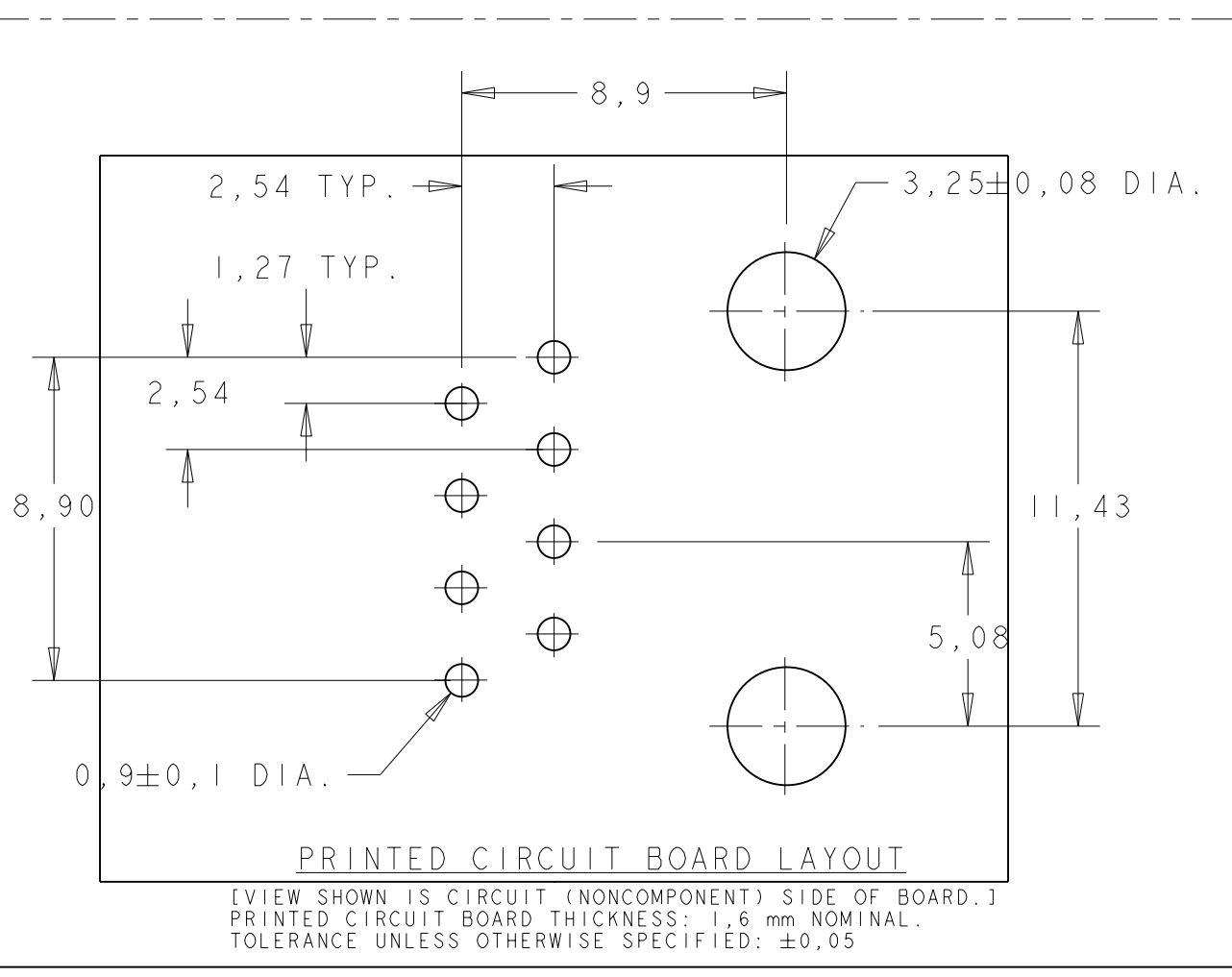
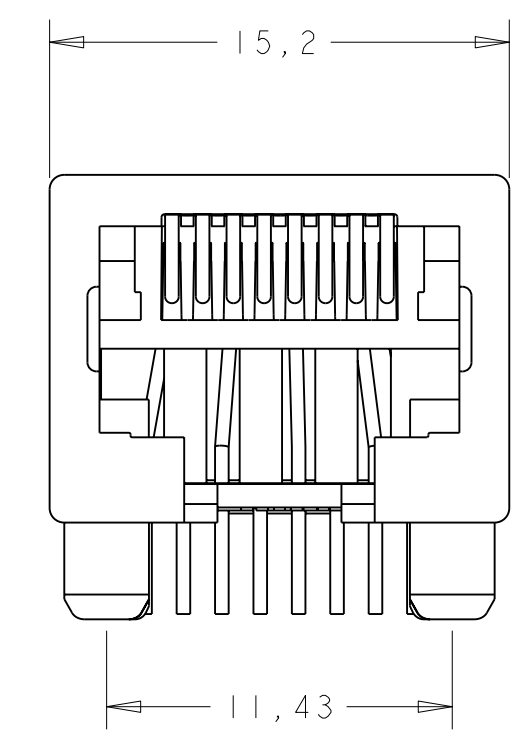
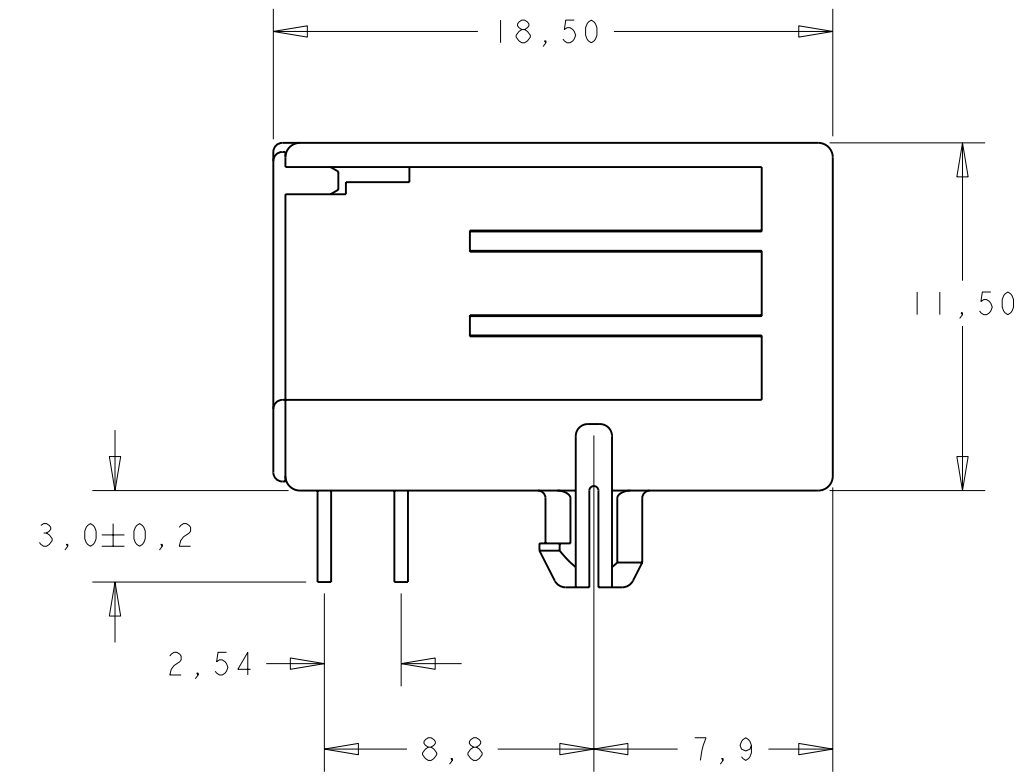
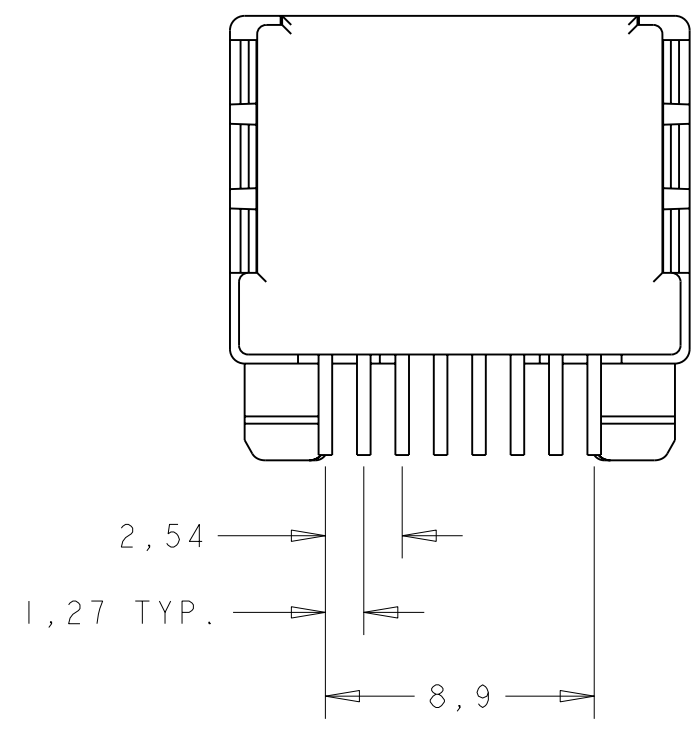
THIS DRAWING IS UNPUBLISHED. RELEASED FOR PUBLICATION  
 © COPYRIGHT - ALL RIGHTS RESERVED.

LOC	DIST	REVISIONS				
P	LTR	DESCRIPTION	DATE	DWN	APVD	
1R	-	SEE SHEET 1	-	-	-	



NOTES:

- 1 TOLERANCE UNLESS OTHERWISE SPECIFIED:  $\pm 0,15$ .
- 2 FOR THIS PACKAGING METHOD THE TRUE POSITION OF THE SOLDER TINES IS NOT GUARANTEED.



PACKAGING	REMARKS	FINISH	MATERIAL	ORDER NUMBER
1000 PIECES BULK PACKAGED				INACTIVE 5-215877-3 NOT TOOLED
200 PIECES IN A TRAY	8 POS./ 8 CONTACTS		IN CONTACT AREA: 1,2µm MIN. SEL. GOLD OVER 1,2µm MIN. NICKEL. SOLDER TINES: 2,5µm MIN. TIN OVER 1,2µm MIN. NICKEL.	HOUSING COLOR: BLACK PBT, UL 94V-0 CONTACT INSERT: PBT, UL 94V-0 CONTACT COVER: BLACK PBT, UL 94V-0 CONTACTS: PH BRONZE
TAPE MOUNTED 700 PCS./REEL				INACTIVE 5-215877-2 NOT TOOLED
				INACTIVE 5-215877-1 NOT TOOLED

THIS DRAWING IS A CONTROLLED DOCUMENT.

DWN	E.v.Fijk	NAME	STE TE Connectivity	
CHK	M.v.Essen	PRODUCT SPEC	MODULAR JACK, 8 POS SIDE ENTRY FOR PRINTED CIRCUIT BOARD	
APVD	R.Smeets	APPLICATION SPEC	SIZE	CAGE CODE
		108-19064	A2	DRAWING NO
		114-19019		RESTRICTED TO
MATERIAL		WEIGHT		
		CUSTOMER DRAWING	SCALE 4:1	SHEET 2 OF 2 REV AF